

BILOCK BQ2 Quick Lock Truss System

No. 60210205	BQ2-290	1.2 kg
No. 60210210	BQ2-500	1.6 kg
No. 60210211	BQ2-710	2.0 kg
No. 60210212	BQ2-1000	2.5 kg
No. 60210216	BQ2-2000	4.4 kg
No. 60210218	BQ2-2500	5.3 kg
No. 60210220	BQ2-3000	6.2 kg
No. 60210224	BQ2-4000	8.1 kg
No. 60210226	BQ2-5000	10.0 kg

Materials used:
 Alloy EN-AW 6060 T66 (AlMgSi0.5 T66)
 Main chords 50 x 2 mm
 Braces 16 x 2 mm
 Accessory/truss 2 x connecting cone, pivot, pin

Load table BQ2:				
Span (m)	Point load (kg)	Deflection (mm)	UDL (kg/m)	Deflection (mm)
2	600	3.1	360	2.7
4	305	8.2	125	9.2
6	190	16.2	60	18.8
7	165	21.8	47	25.7
8	140	27.3	34	32.5
9	120	35.3	28	42.5
10	110	43.2	21	52.5
11	65	55.9	16	61.3
12	75	68.7	10	70.2

Maximum system-length: 12 meters



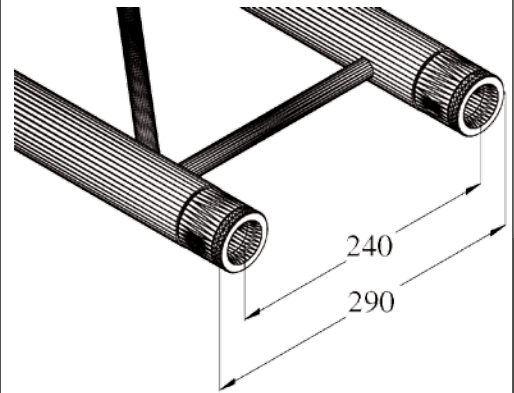
BILOCK BQ2 is a 2-point truss system made of aluminium. The individual elements are connected via two cones, pivots and pins.

The advantage of the conical connection system is that the cones completely fit into the main chords so that highest load capacity is guaranteed. The Quick-Lock system enables fast, efficient and highly aesthetic assembly when the truss constructions are frequently assembled and dismantled.

The two main chords are made of 50 mm aluminium tube with 2 mm wall thickness and offer a good relation between strength and weight. The braces have a diameter of 16 mm with 2 mm wall thickness and leave enough space for installing couplers, hooks and clamps.

With 290 mm outer dimensions, BILOCK BQ2 is a stable truss system for higher loads and extended durability. This system is mainly designed for intense use in stage installations, fair installations, event installations but also for permanent installations in discotheques and theatres.

Its polished surface makes this universal system a real eyecatcher. Due to its wide range of standard system lengths, corners, circles and accessory, this system is highly versatile and offers unlimited design possibilities. The documentation of this truss system is closely related to the Codes of Practice SR 1.0 - Provision and Use of Truss Systems published by the VPLT/PLASA. Please note: this truss system must never be combined with other systems!



- ✓ Systems are available in RAL and special varnishing on request
- ✓ All sizes available
- ✓ Near-term delivery

Quelle:
www.speziallack.de/testimgal