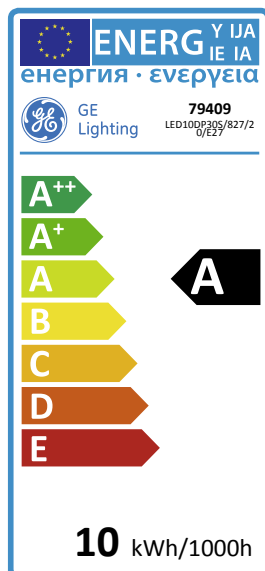




GE  
Lighting



10  
kWh/1000h

A  
energy class

45  
lumens/watt

## GE Precise™ PAR30 Dimmable LED10DP30S/827/20/E27 79409

### Product information

Designed for retrofit replacement of incandescent PAR30 with maximised energy reduction. Light output and beam spread comparable to commercially available incandescent PAR30 lamps

### Application areas

- Retail
- Office
- Hospitality
- Home



## Product data

Cap/Base	E27
Bulb Shape	PAR
Bulb Finish	Coated
Bulb Diameter [mm]	96
Bulb maximum overall diameter [mm]	97
Maximum Overall Length [mm]	99
Net weight per piece [g]	310
Gross weight per piece [g]	400
Brand	General Electric (GE)

## Performance data

Colour Rendering Index (CRI) [Ra]	80
Nominal correlated colour temperature (CCT) [K]	2700
Colour consistency	6 steps
Nominal beam angle [°]	20
Rated beam angle [°]	20
Nominal center beam candlepower (CBCP) [cd]	3450
Rated peak intensity in [Cd]	3450
Nominal lumens [lm]	450
Rated Lumens [lm]	450
Nominal useful lumens [lm]	410
Energy efficiency class (EEC)	A
Rated Life [h]	50000
Rated life L70/B50 [h]	50000
Weighted energy consumption [kWh/1000h]	10

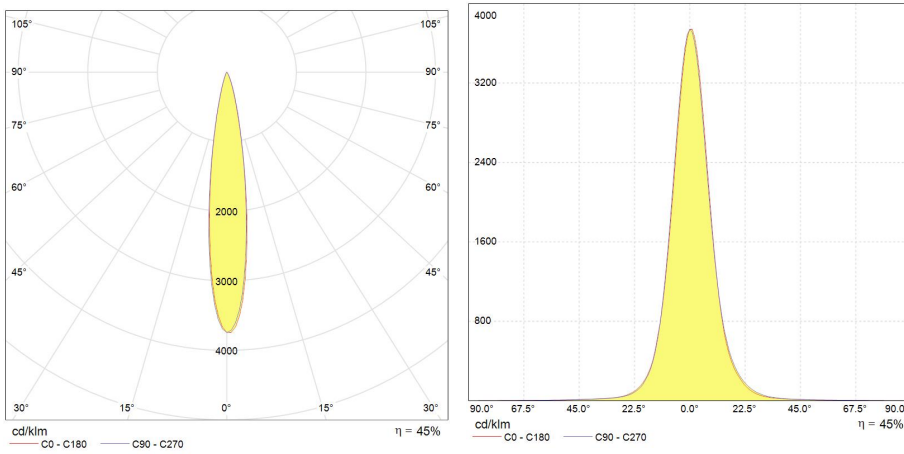
## Electrical data

Nominal power [W]	10
Rated power [W]	10.0
Nominal lamp power factor	0.8
Nominal lamp voltage [V]	230
Lamp Current [A]	0.05
Operating Temperature (MAX) [°C]	40
Run-up time (sec)	0.5
Starting time (sec)	0.5
Number of switching cycles	25000
Dimming Capability	Yes

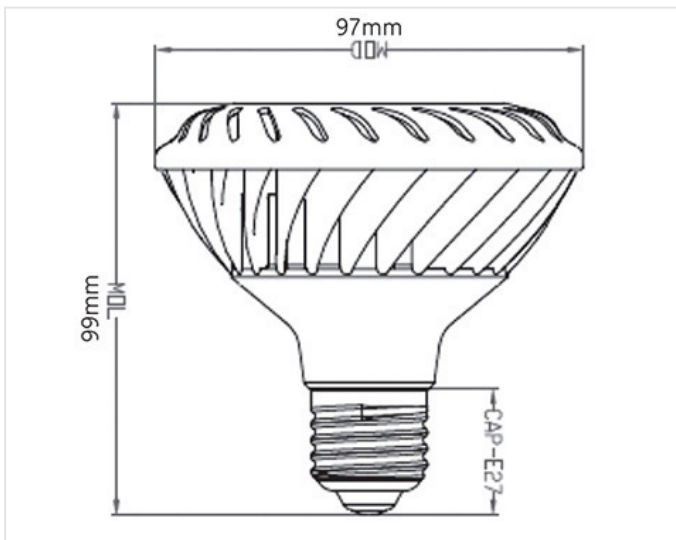
## Logistic data

DUN Code	10043168794098
EAN Code	0043168794091
Pack Quantity	6
Inner pack type	BX
Layer quantity	192 EUR, 240 UK
Layer quantity EUR	192
Layer quantity UK	240
Pallet quantity EUR (PC)	768
Pallet quantity UK (PC)	960
Outer case size	295 x 198 x 110 (mm)
Product status	Phased-out

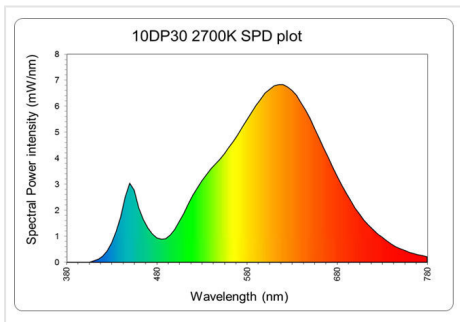
## Photometric Data



## Technical drawing



## Spectral distribution



## Downloads & Links

[Go to the catalog site \(HTTP\)](#)

[Photometry \(IES\)](#)

[Dimming compatibility \(HTTP\)](#)

[LED Lighting Solutions - Catalogue \(EN\) \(PDF\)](#)

[LED PAR30 10W Dimmable Datasheet \(PDF\)](#)

[Lighting design tools & calculators \(HTTP\)](#)

[PAR/Reflector range Datasheets \(HTTP\)](#)

[High-res images / Technical drawings \(HTTP\)](#)

[Certificate for the Quality Management System of GE Lighting EMEA \(PDF\)](#)

[Certificate for the Environmental Management System of GE Lighting EMEA \(PDF\)](#)