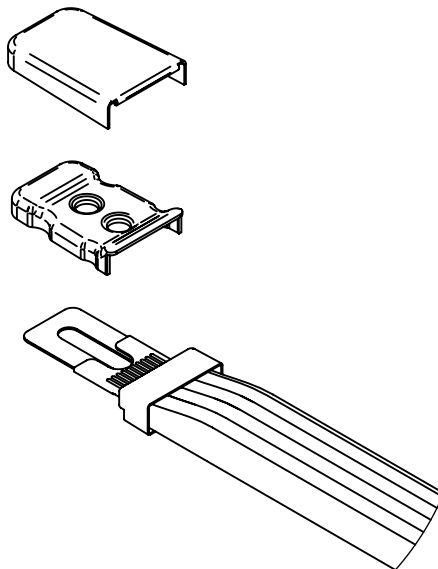
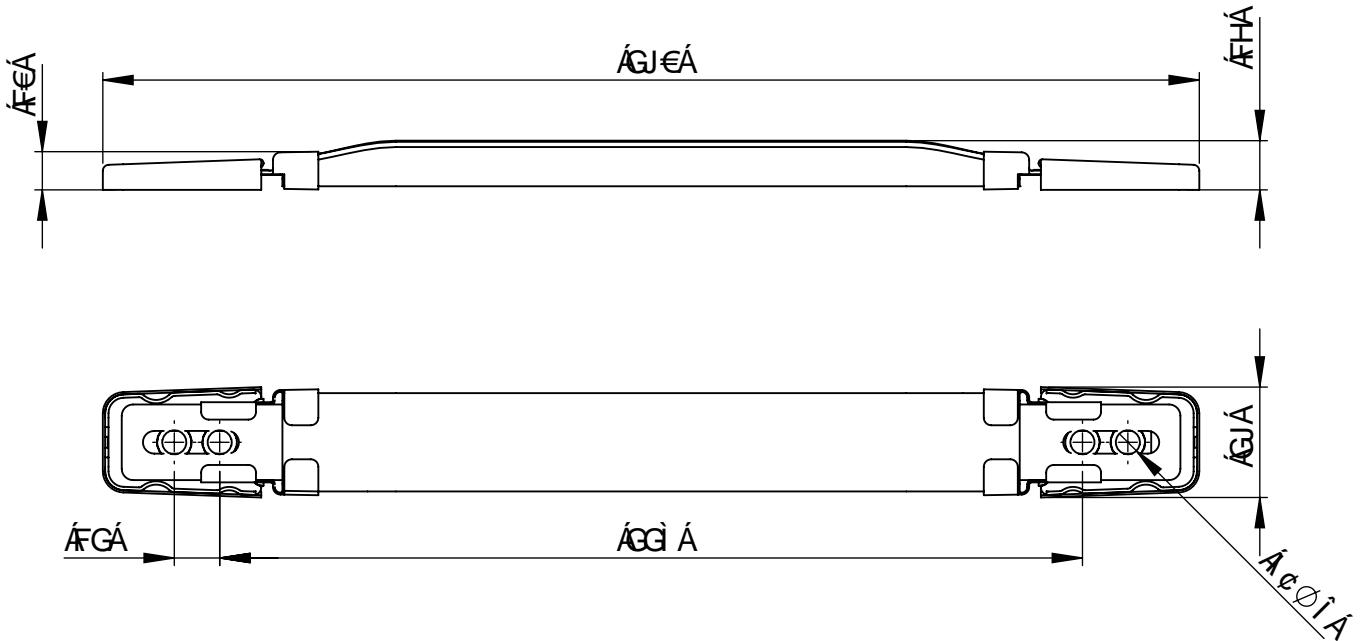


H97 < B € 7 < 9 N9 7 < BI B;  
 H97 < B 7 5 @ 8 F 5 K B; CB 9 GG B H97 < B € I 9 CB 6 I > C H97 < B 7 C



' (%)



5XUa < U" 0VYfbja a h\_Y)bY; Yk AVfcXYF < Uzi b[ zFX]Y F ]Mh[ \_Y]z: YbUi [ ]\_Y]hi bX'J c"grAbX[ ]\_Y]hX]YgYfNY]Mbi b["  
 5XUa < U" UWWdhp bc fYgdcbgV] ]mcf ]UV] ]miZf h Y VefYVibYggzUWWfUWnUbX Vta dYfYbYgg cZA ]g ] i gffU]cb"  
 5XUa < U" b Uggi a Y Ui WbY [ UfUb]Y b] fYgdcbgUV] ]Á ei Ubh%4 U Vebzfa ]rAz U dfAV]g]cb Yh Yi \Ui g]j ]rA XY Vw gWÁa U"  
 5XUa < U" bc cZfVW [ UfUb]fU U [ i bU fYgdYVte U" U YI UVM]h XZdfYV]g] b c ]bY [ f]XUX XY YgtU ] i gffUW] b"

5XUa < U" : a V < CBUja Yfgf" - CE %&\* + BYi !5bgdUW; Yfa Ubm  
 HY" fZ (- E\* \$ , % # - ( % \$ CE UI . fZ (- E\* \$ , % # - ( % %\$\$\$ CB!a U] : a U] 4 UXUa \U" Vta