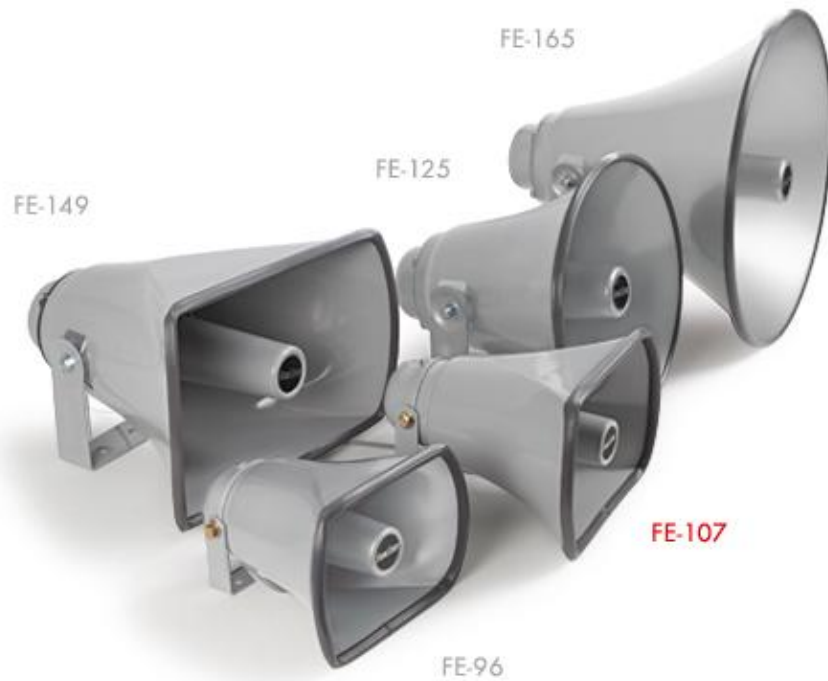


Horn speakers with exponential diffuser, manufactured in aluminium.
Robust construction in lightweight, resistant aluminium.
Suitable for indoor and outdoor PA installations.



FE-107

CHARACTERISTICS	Low impedance horn speaker.
POWER	30 W maximum
RESPONSE	250-7,500 Hz
IMPEDANCE	8 Ohm
SENSITIVITY	104 dB at 1 W/1 m
DISPERSION	135° H x 95° V
MATERIAL	Aluminium
COLOUR	Grey (RAL 7004)
DIMENSIONS	23.5 x 17.5 x 25 cm depth
WEIGHT	1 kg