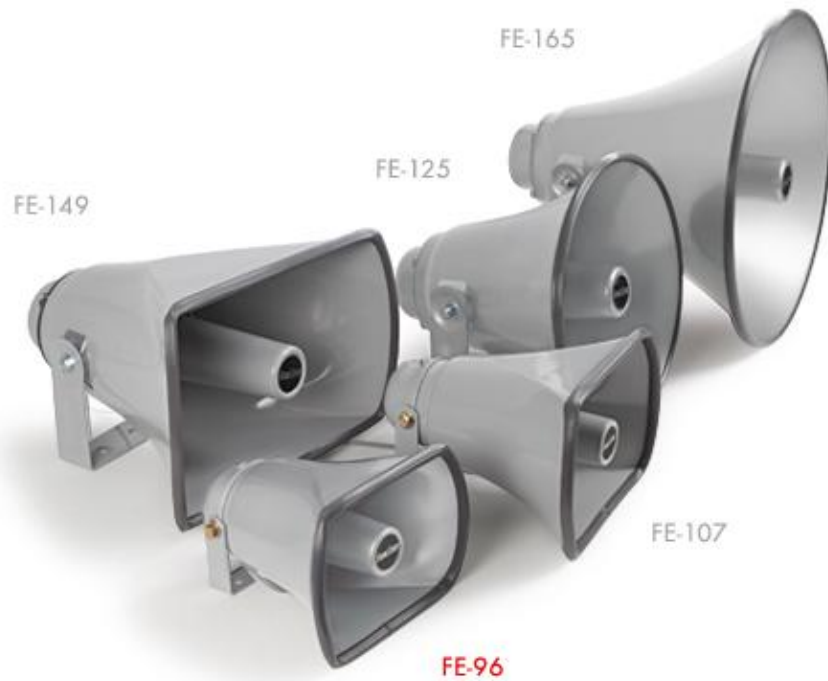


Horn speakers with exponential diffuser, manufactured in aluminium.  
Robust construction in lightweight, resistant aluminium.  
Suitable for indoor and outdoor PA installations.



### **FE-96**

CHARACTERISTICS	Low impedance horn speaker.
POWER	25 W maximum
RESPONSE	300-9,000 Hz
IMPEDANCE	8 Ohm
SENSITIVITY	103 dB at 1 W/1 m
DISPERSION	115° H x 60° V
MATERIAL	Aluminium
COLOUR	Grey (RAL 7004)
DIMENSIONS	21 x 15 x 20 cm depth
WEIGHT	0.8 kg