

ENGLISH

Carlow 72

V1

ordercode: A0720051

Table of contents

Warning	2
Safety Instructions	2
Operating Determinations	4
Connection with the mains	4
Return Procedure	5
Claims	5
Description of the device	6
Optional accessories	6
Overview	7
Backside	7
Installation	8
Set Up and Operation	8
Control Modes	8
One Carlow 72 (Auto Run Mode, Built-in programs and Static Color Mode)	8
Multiple Carlows 72 (Master/Slave control)	8
Multiple Carlows 72 (DMX Control)	9
Fixture Linking	10
Data Cabling	10
Control Panel	11
Control Mode	11
DMX Addressing	11
Menu Overview	12
Main Menu Options	12
Auto Run Mode	13
Built-in Programs	13
Static Color control	14
DMX Addressing/ DMX configuration	14
Slave Mode	14
Reset factory settings	14
DMX Channels	15
3 channels	15
5 channels	15
7 channels	15
Maintenance	16
Troubleshooting	16
No Light	16
No Response to DMX	17
Product Specifications	18
Dimensions	19
Notes	20

Warning



**For your own safety, please read this user manual carefully
before your initial start-up!**

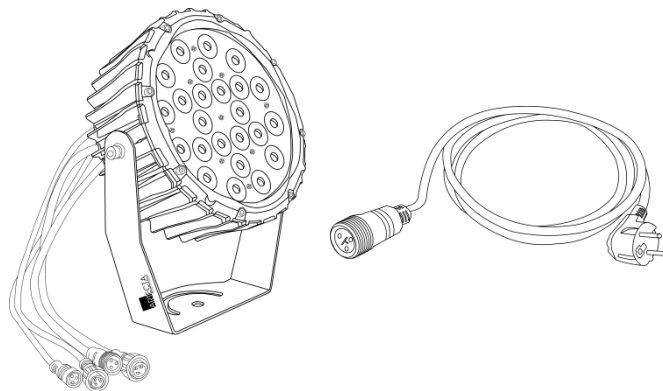


Unpacking Instructions

Immediately upon receiving this product, carefully unpack the carton and check the contents to ensure that all parts are present, and have been received in good condition. Notify the dealer immediately and retain packing material for inspection if any parts appear damaged from shipping or the carton itself shows signs of mishandling. Save the carton and all packing materials. In the event that a fixture must be returned to the factory, it is important that the fixture be returned in the original factory box and packing.

Your shipment includes:

- Artecta Carlow 72
- 1x Schuko to 3-pins (IP-66) Power cable 1,5m
- User manual



LED Expected Lifespan

LEDs gradually decline in brightness over time. HEAT is the dominant factor that leads to the acceleration of this decline. Packaged in clusters, LEDs exhibit higher operating temperatures than in ideal or singular optimum conditions. For this reason, when all color LEDs are used at their fullest intensity, life of the LEDs is significantly reduced. If improving the lifespan is of higher priority, place care in providing for lower operational temperatures. This may include climatic-environmental and the reduction of overall projection intensity.



CAUTION!

**Keep this device away from rain and moisture!
Unplug mains lead before opening the housing!**



Safety Instructions

Every person involved with the installation, operation and maintenance of this device has to:

- be qualified
- follow the instructions of this manual



**CAUTION! Be careful with your operations.
With a dangerous voltage you can suffer
a dangerous electric shock when touching the wires!**



Before the initial start-up, please make sure that there is no damage caused by transportation. Should there be any, consult your dealer and do not use the device.

To maintain perfect condition and to ensure a safe operation, it is absolutely necessary for the user to follow the safety instructions and warning notes contained in this manual.

Please consider that damages caused by manual modifications to the device are not subject to warranty.

This device contains no user-serviceable parts. Refer servicing to qualified technicians only.

IMPORTANT:

The manufacturer will not accept liability for any resulting damages caused by the non-observance of this manual or any unauthorized modification to the device.

- Never let the power cord come into contact with other cables! Handle the power cord and all connections with the mains with particular caution!
- Never remove warning or informative labels from the unit.
- Never use anything to cover the ground contact.
- Never place any material over the lens.
- Never look directly into the light source.
- Never leave any cables lying around.
- Do not connect this device to a dimmerpack.
- Do not switch the device on and off in short intervals, as this will reduce the device's life.
- Do not touch the device's housing bare-handed during its operation (housing becomes very hot). Allow the fixture to cool for at least 5 minutes before handling.
- Do not shake the device. Avoid brute force when installing or operating the device.
- Only operate the fixture after having checked if the housing is firmly closed and all screws are tightly fastened.
- Only operate the device after having familiarized with its functions.
- Avoid flames and do not put close to flammable liquids or gases.
- Always keep the case closed while operating.
- Always allow a free air space of at least 50 cm around the unit for ventilation.
- Always disconnect power from the mains, when device is not used or before cleaning! Only handle the power cord holding it by the plug. Never pull out the plug by tugging the power cord.
- Make sure that the device is not exposed to extreme heat, moisture or dust.
- Make sure that the available voltage is not higher than stated on the rear panel.
- Make sure that the power cord is never crimped or damaged. Check the device and the power cord from time to time.
- If the lens is obviously damaged, it has to be replaced.
- If device was dropped or struck, disconnect mains power supply immediately. Have a qualified engineer inspect for safety before operating.
- If the device has been exposed to drastic temperature fluctuation (e.g. after transportation), do not switch it on immediately. The arising condensation water might damage your device. Leave the device switched off until it has reached room temperature.
- If your Arlecta device fails to work properly, discontinue the use immediately. Pack the unit securely (preferably in the original packing material), and return it to your Arlecta dealer for service.
- For adult use only. The fixture must be installed beyond the reach of children. Never leave the unit running unattended.
- Never attempt to bypass the thermostatic switch or fuses.
- The user is responsible for correct positioning and operating of the Carlow 72. The manufacturer will not accept liability for damages caused by the misuse or incorrect installation of this device.
- This device falls under protection class I. Therefore it is essential to connect the yellow/green conductor to earth.
- Repairs, servicing and electric connection must be carried out by a qualified technician.
- **WARRANTY:** Till one year after date of purchase.



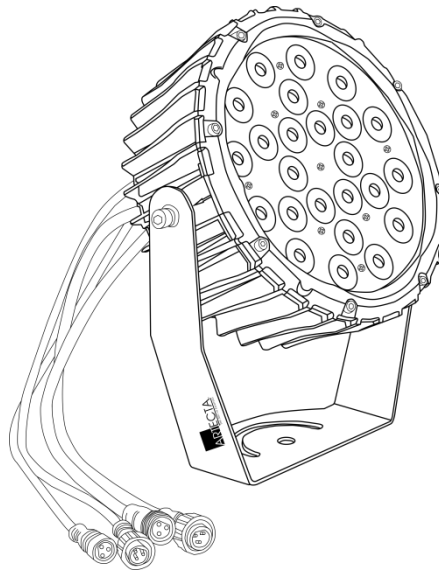
CAUTION! Eyedamages!!!
Avoid looking directly into the lightsource!!!
(meant especially for epileptics)!!!



Operating Determinations

- This device is not designed for permanent operation. Consistent operation breaks will ensure that the device will serve you for a long time without defects.
- The minimum distance between light output and the illuminated surface must be bigger than 1 meter.
- The maximum ambient temperature $t_a = 40^{\circ}\text{C}$ must never be exceeded.
- The relative humidity must not exceed 50 % with an ambient temperature of 40°C .
- If this device is operated in any other way than the one described in this manual, the product may suffer damages and the warranty becomes void.
- Any other operation may lead to dangers like short-circuit, burns, electric shock, crash, etc.

You endanger your own safety and the safety of others !



The Carlow 72 has to be mounted on a flat surface.

Connection with the mains

Connect the device to the mains with the power-plug.
Always check if the right color cable is connected to the right place.

International	EU Cable	UK Cable	US Cable	Pin
L	BROWN	RED	YELLOW/COPPER	PHASE
N	BLUE	BLACK	SILVER	NEUTRAL
	YELLOW/GREEN	GREEN	GREEN	PROTECTIVE GROUND

Make sure that the device is always properly connected to the earth!

Improper installation can cause serious injuries and/or damage of property!



Return Procedure

Returned merchandise must be sent prepaid and in the original packing, call tags will not be issued. Package must be clearly labeled with a Return Authorization Number (RMA number). Products returned without an RMA number will be refused. Highlite will not accept the returned goods or any responsibility. Call Highlite 0031-455667723 or mail offersales@highlite.nl and request an RMA prior to shipping the fixture. Be prepared to provide the model number, serial number and a brief description of the cause for the return. Be sure to properly pack fixture, any shipping damage resulting from inadequate packaging is the customer's responsibility. Highlite reserves the right to use its own discretion to repair or replace product(s). As a suggestion, proper UPS packing or double-boxing is always a safe method to use.

Note: If you are given an RMA number, please include the following information on a piece of paper inside the box:

- 01) Your name
- 02) Your address
- 03) Your phone number
- 04) A brief description of the symptoms

Claims

The client has the obligation to check the delivered goods immediately upon delivery for any shortcomings and/or visible defects, or perform this check after our announcement that the goods are at their disposal. Damage incurred in shipping is the responsibility of the shipper; therefore the damage must be reported to the carrier upon receipt of merchandise.

It is the customer's responsibility to report and submit claims with the shipper in the event that a fixture is damaged due to shipping. Transportation damage has to be reported to us within one day after receipt of the delivery.

Any return shipment has to be made post-paid at all times. Return shipments must be accompanied with a letter defining the reason for return shipment. Non-prepaid return shipments will be refused, unless agreed otherwise in writing.

Complaints against us must be prepared in writing or sent by fax within 10 working days after receipt of the invoice. After this period complaints will not be handled anymore.

Complaints will only then be considered if the client has so far complied with all parts of the agreement, regardless of the agreement from which the obligation is resulting.

Description of the device

Features

The Artecta Carlow 72 is an outdoor spot with many possibilities to achieve a very nice lighting effect.

- Input voltage: 100-240V, 50/60Hz
- Power consumption: 78W
- DMX channels: 3, 5 or 7 channels
- LED display for easy setup
- Light source: 24 x 3W RGB LEDs
- Light output: Red 675 Lm
Green 1546 Lm
Blue 424 Lm
RGB 2404 Lm
- Control modes: Auto, Built-in Programs, Static dimmer, DMX, Master/Slave
- Control protocol: DMX-512
- Dimmer: 0-100%
- Strobe: 0-20Hz
- Beam Angle: 18°
- Protection rate: IP-66
- Housing: Grey aluminum
- Connections: Dedicated IP66 Power & Data connectors
- Dimensions: 268 x 135 x 325 mm
- Weight: 4,46 kg

Note: Knowledge of DMX is required to fully utilize this unit.

Optional accessories

[42698](#) Power end cap set Male/female for Cameleon series

[42699](#) Data end cap set Male/female for Cameleon series

[42705](#) Power Extension cable for Cameleon series (3m)

[42706](#) Power connection cable for Cameleon series (3m)

[42707](#) DMX Extension cable for Cameleon series (3m)

[42708](#) DMX Input cable for Cameleon series (3m)

Overview

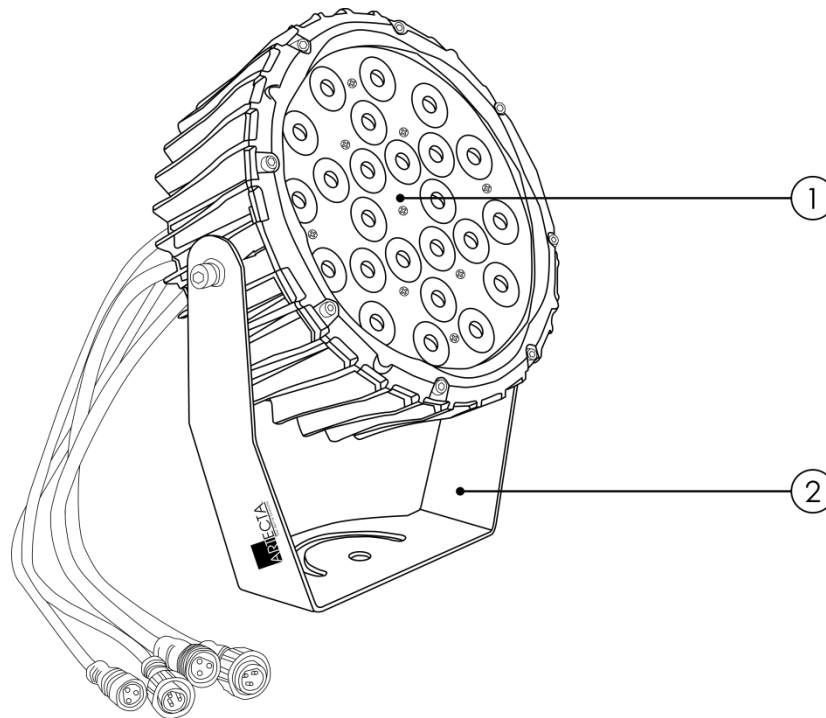


Fig. 01

- 01) 24 x 3W RGB LEDs
- 02) Mounting bracket

Backside

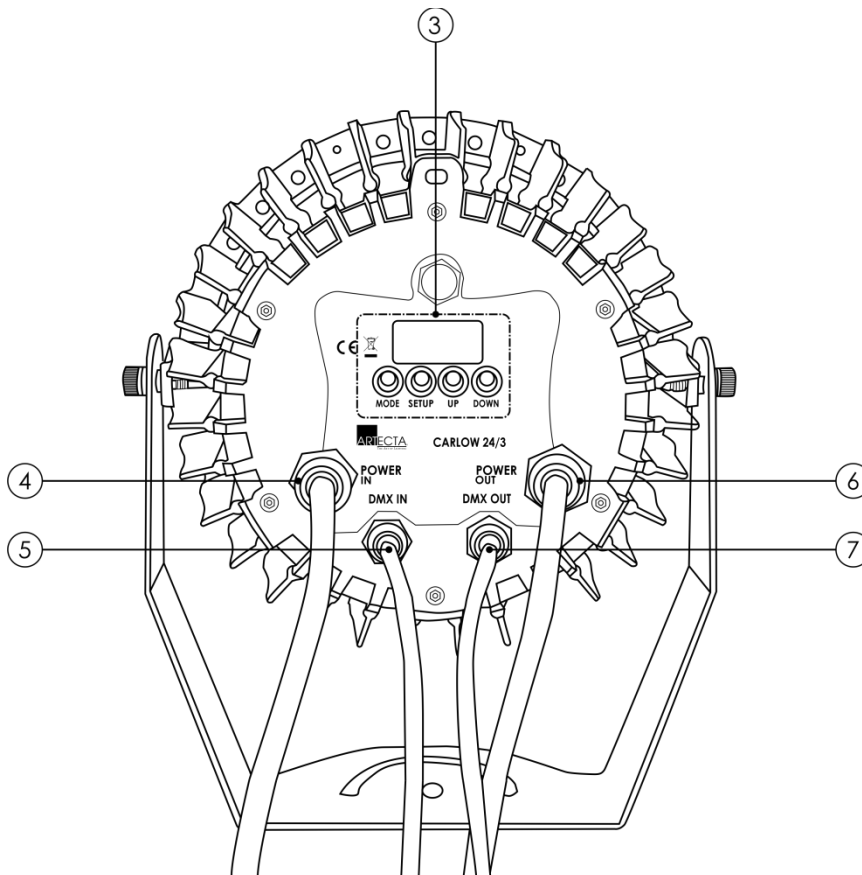


Fig. 02

- 03) 4-digit LED display + control buttons
- 04) Special 3-pin power cable IN IP-65
- 05) Special 3-pin DMX signal cable IN IP-65
- 06) Special 3-pin power cable OUT IP-65
- 07) Special 3-pin DMX signal cable OUT IP-65

Installation

Remove all packing materials from the Carlow 72. Check if all foam and plastic padding is removed. Connect all cables.

Do not supply power before the whole system is set up and connected properly.

Always disconnect from electric mains power supply before cleaning or servicing.

Damages caused by non-observance are not subject to warranty.

Set Up and Operation

Follow the directions below, as they pertain to your preferred operation mode.

Before plugging the unit in, always make sure that the power supply matches the product specification voltage. Do not attempt to operate a 120V specification product on 230V power, or vice versa.

Control Modes

There are 5 modes:

- Auto run
- Built-in programs
- Static Color
- Master/slave
- DMX-512 (3CH, 5CH or 7CH)

One Carlow 72 (Auto Run Mode, Built-in programs and Static Color Mode)

- 01) Fasten the effect light to a flat surface. Leave at least 0,5 meter on all sides for air circulation.
- 02) Plug the end of the electric mains power cord into a proper electric power supply socket.
- 03) When the Carlow 72 is not connected with a DMX cable, it functions as a stand-alone device. Please see pages 13 and 14 for more information about Auto Run Mode, the Built-in programs and Static Color Mode.

Multiple Carlows 72 (Master/Slave control)

- 01) Fasten the effect light onto a flat surface. Leave at least 0,5 meter on all sides for air circulation.
- 02) Use a 3-p XLR cable to connect the Carlows and other devices.

The pins:



- 1. Earth
- 2. Signal (-)
- 3. Signal (+)

- 03) Link the units as shown in Fig. 03. Connect the first unit's DMX "out" socket with the second unit's "in" socket, using the **42707** – DMX Extension cable. Link the second, third, and fourth units using the **42707** – DMX Extension cable.

You can use the same functions on the master device as described on pages 13 and 14 (Auto Run mode, Built-in programs, Static color). This means that you can set your desired operation mode on the master device and all slave devices will react the same as the master device.

Multiple Carlows 72 (Master/Slave control)

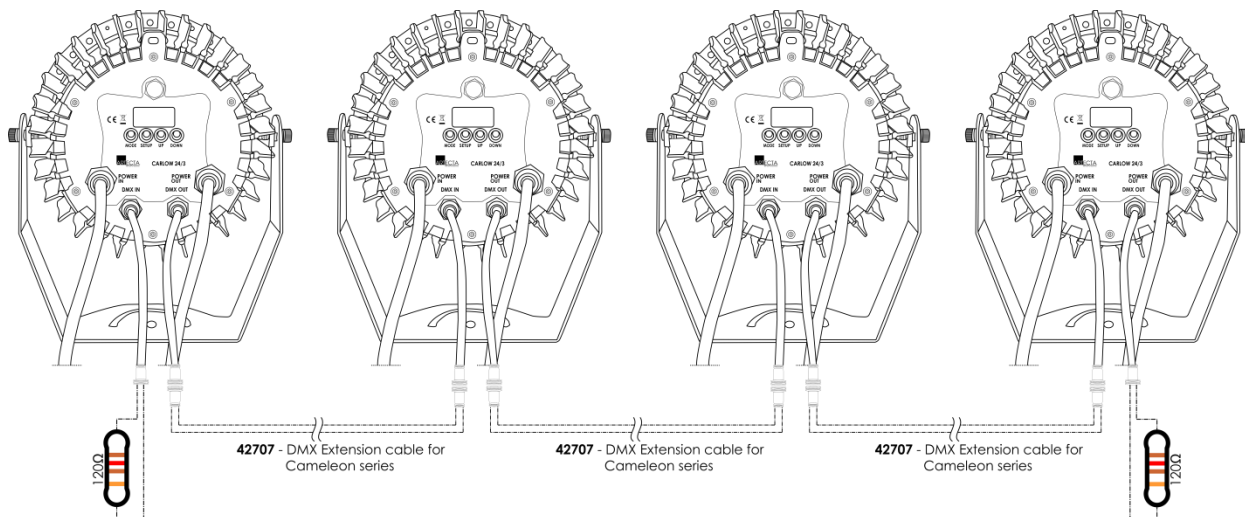
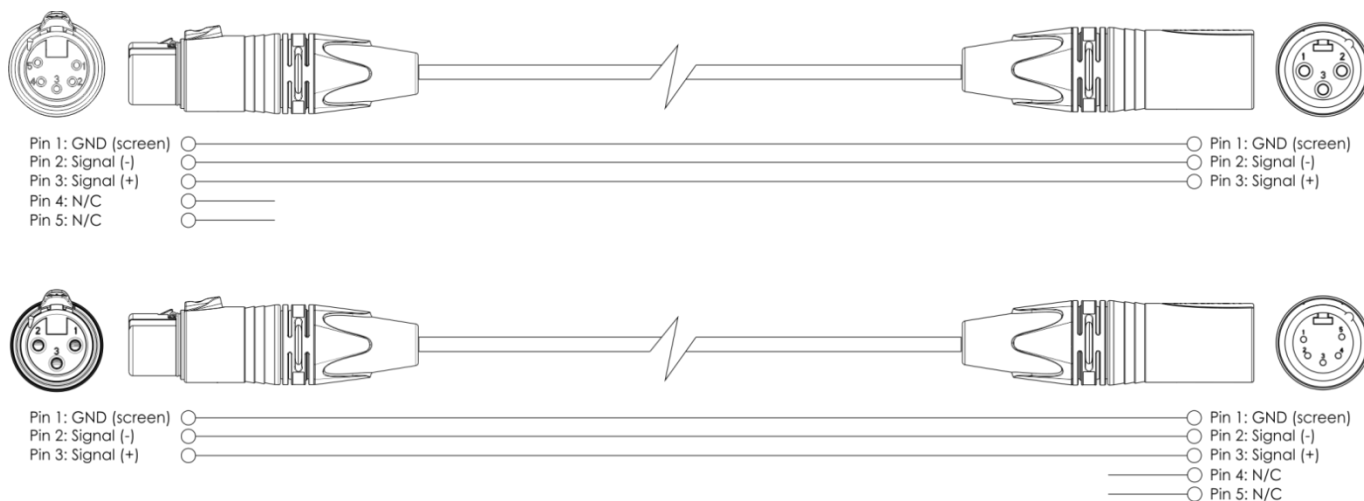


Fig. 03

Multiple Carlows 72 (DMX Control)

- 01) Fasten the effect light to a flat surface. Leave at least 0,5 meter on all sides for air circulation.
- 02) Use a 3-pin XLR cable to connect the Carlows and other devices.



- 03) Link the units as shown in fig. 04. Connect a light controller to the first unit's DMX "in" socket, using the **42708** – DMX input cable. Connect the first unit's "out" socket with the second unit's "in" socket, using the **42707** – DMX Extension cable, Link the second, third, and fourth units using the **42707** – DMX Extension cable.
- 04) Supply electric power: Plug electric mains power cords into each unit's special IP65 power IN socket, then plug the other end of the mains power cord into proper electric power supply sockets, starting with the first unit. Do not supply power before the whole system is set up and connected properly.

Multiple Carlows 72 DMX Set Up

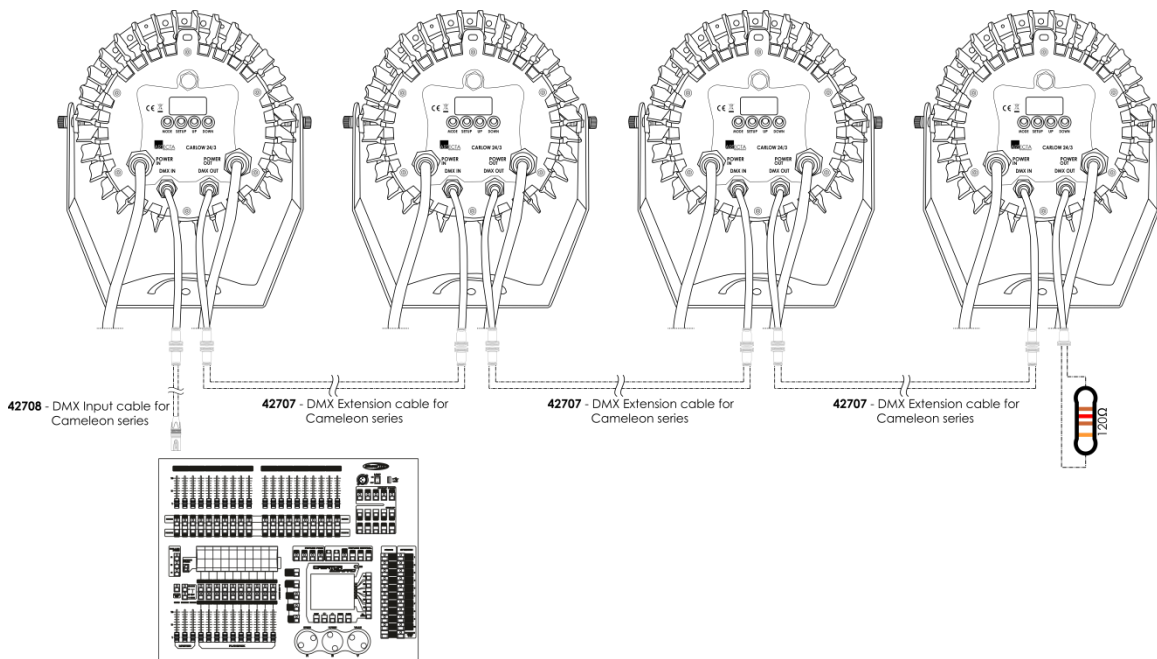


Fig. 04

Note : Link all cables before connecting electric power

Fixture Linking

You will need a serial data link to run light shows of one or more fixtures using a DMX-512 controller or to run synchronized shows of two or more fixtures set to a master/slave operating mode. The combined number of channels required by all the fixtures on a serial data link determines the number of fixtures the data link can support.

Important: Fixtures on a serial data link must be daisy-chained in a single line. To comply with the EIA-485 standard, no more than 30 devices should be connected on one data link. Connecting more than 30 fixtures on one serial data link without the use of a DMX optically isolated splitter may result in deterioration of the digital DMX signal.



Maximum recommended DMX data link distance: 100 meters

Maximum recommended number of fixtures on a DMX data link: 30 fixtures

Maximum recommended number of fixtures on a power link: 5 @ 110V

Maximum recommended number of fixtures on a power link: 10 @ 240V

Data Cabling

To link fixtures together, you must obtain data cables. You can purchase DAP Audio certified DMX cables directly from a dealer/distributor or construct your own cable. If you choose to create your own cable, please use data-grade cables that can carry a high quality signal and are less prone to electromagnetic interference.

DAP Audio DMX Data Cables

- DAP Audio Basic microphone cable for allround use. bal. XLR/M 3-pin > XLR/F 3-pin. **Ordercode** FL01150 (1,5 m), FL013 (3 m), FL016 (6 m), FL0110 (10 m), FL0115 (15 m), FL0120 (20 m).
- DAP Audio X-type data cable XLR/M 3-pin > XLR/F 3-pin. **Ordercode** FLX0175 (0,75 m), FLX01150 (1,5 m), FLX013 (3 m), FLX016 (6 m), FLX0110 (10 m).
- DAP Audio cable for the demanding user with exceptional audio-qualities and connector made by Neutrik®. **Ordercode** FL71150 (1,5 m), FL713 (3 m), FL716 (6 m), FL7110 (10 m).
- DAP Audio cable for the demanding user with exceptional audio-qualities and connector made by Neutrik®. **Ordercode** FL7275 (0,75 m), FL72150 (1,5 m), FL723 (3 m), FL726 (6 m), FL7210 (10 m).
- DAP Audio 110 Ohm cable with digital signal transmission. **Ordercode** FL0975 (0,75 m), FL09150 (1,5 m), FL093 (3 m), FL096 (6 m), FL0910 (10 m), FL0915 (15 m), FL0920 (20 m).
- DAP Audio DMX adapter: 3-pin/5-pin. **Ordercode** FLA30.



Note: You cannot plug a standard DMX cable directly into the connector. Be sure to use the special cables for DMX connection ([42708](#)) and extension cables ([42707](#)).



The Carlow 72 can be operated with a controller in DMX mode or without the controller in stand-alone mode.

Control Panel

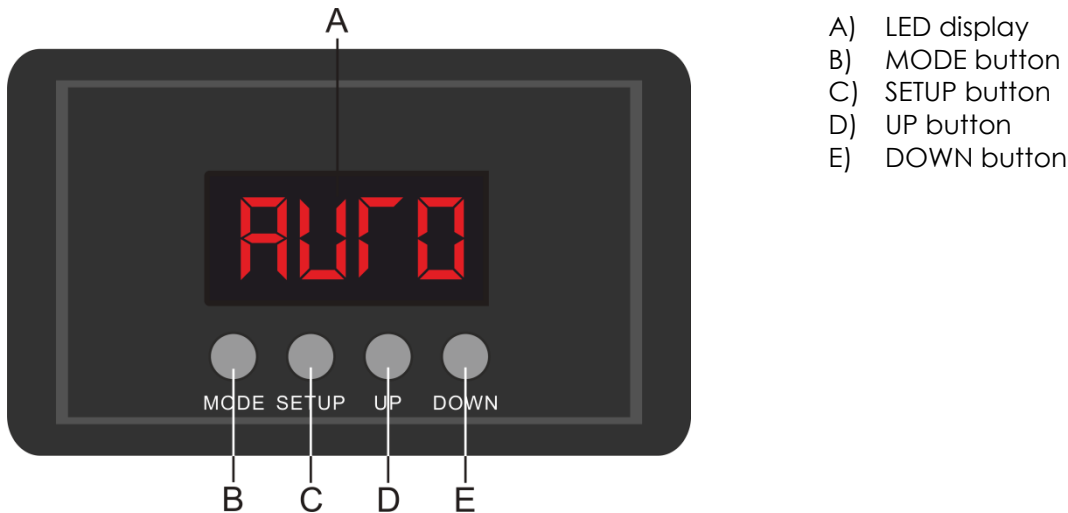


Fig. 05

Control Mode

The fixtures are individually addressed on a data-link and connected to the controller. The fixtures respond to the DMX signal from the controller. (When you select the DMX address and save it, the controller will display the saved DMX address, next time.)

DMX Addressing

The control panel on the back side of the device allows you to assign DMX fixture addresses, which is the first channel with which the Carlow will respond to the controller.

Please note, when you use the controller, the unit has **7** channels.

When using multiple Carlows, make sure you set the DMX addresses right.

Therefore, the DMX address of the first Carlow should be **1(001)**; the DMX address of the second Carlow should be **1+7=8 (008)**; the DMX address of the third Carlow should be **8+7=15 (015)**, etc. Please, be sure that you do not have any overlapping channels in order to control each Carlow correctly. If two or more Carlows are addressed similarly, they will work similarly.

Controlling:

After having addressed all Carlow fixtures, you may now start operating these via your lighting controller.

Note: After switching on, the Carlow will automatically detect whether DMX 512 data is received or not.

If not, the problem may be:

- The XLR cable from the controller is not connected with the input of the Carlow.
- The controller is switched off or defective, the cable or connector is defective, or the signal wires are swapped in the input connector.

Note: It is necessary to insert an XLR termination plug (with 120 Ohm) in the last fixture in order to ensure proper transmission on the DMX data link.

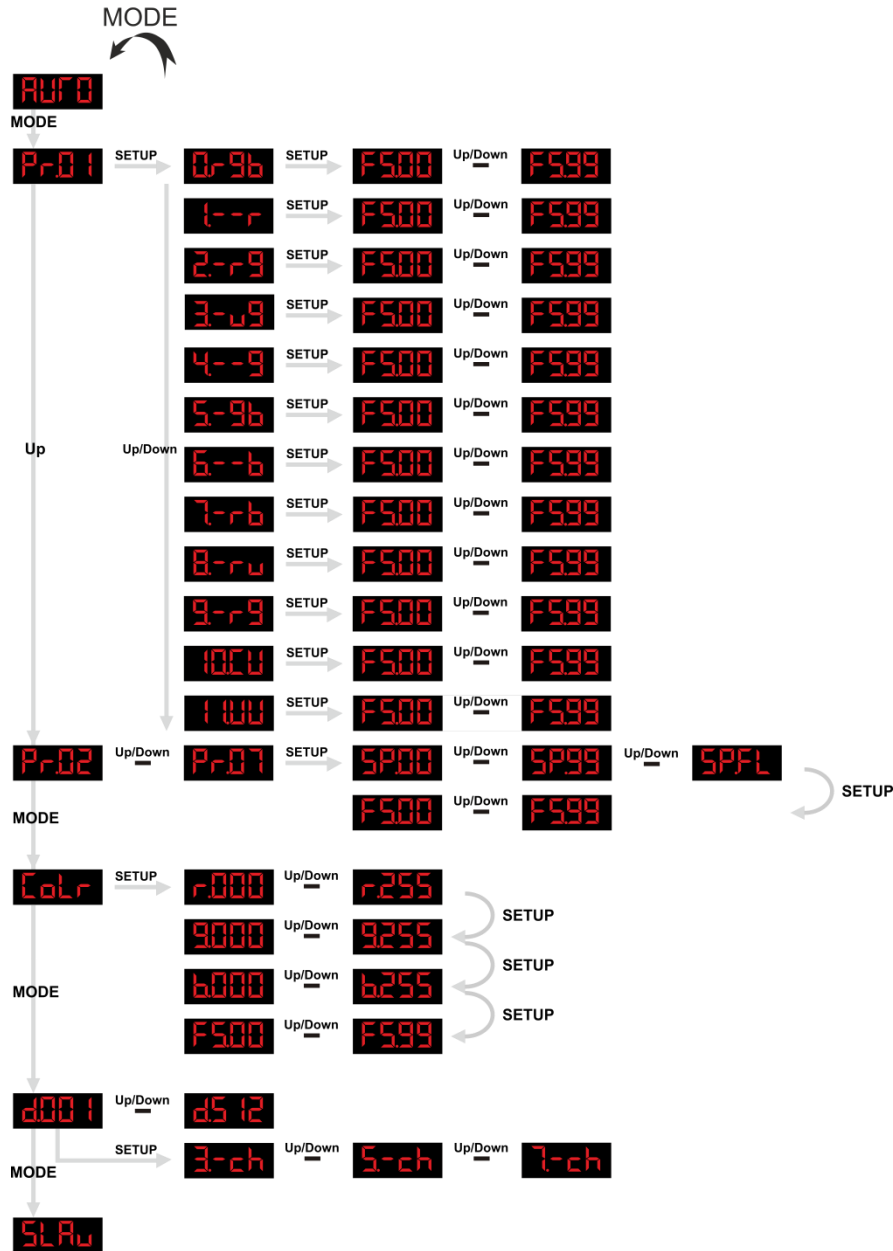


Display Off after 10 seconds



When no button is pressed for 10 seconds, the display will turn off. The fixture will switch to a lock key mode. To light up the display and unlock the fixture, you have to press the **MODE** and **DOWN** button at the same time for 2 seconds. Once you have pressed the buttons, the display will light up.

Menu Overview



Main Menu Options

- AUFD** Auto run
- Pr01** Built-in programs
- CoLr** Static Color Mode
- d001** DMX address / DMX configuration
- SLAv** Master-Slave

Auto Run Mode

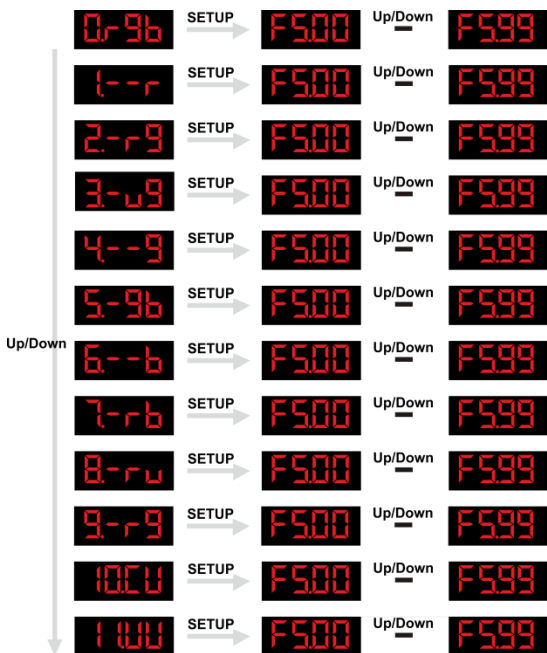
With this menu you can start the Auto Run program of the Carlow 72.

- 01) Press the **MODE** button until the display shows **AUTO**.
- 02) The Carlow 72 will start immediately the Auto Run program.

Built-in Programs

With this menu you can set the built-in programs.

- 01) Press the **MODE** button until the display shows **P-01**.
- 02) Press the **SETUP** button to open this menu.
- 03) You can use the **UP/DOWN** buttons to scroll through the 7 built-in programs.
- 04) When you select menu **P-01**, you can use a wide variety (12) of manual color settings. Press **SETUP** to enter and choose one with the **UP/DOWN** buttons.



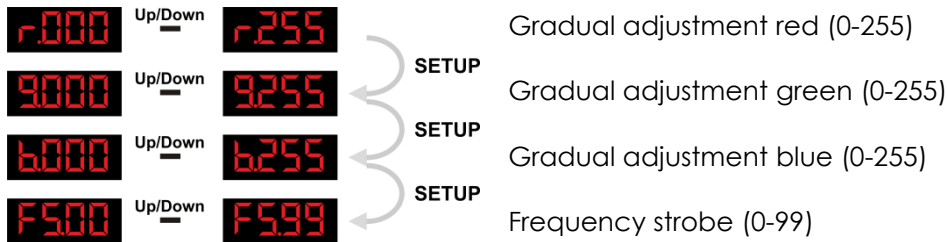
- 05) Press the **SETUP** button again to open the next menu. You can set the Flash frequency with the **UP/DOWN** buttons between **F500** ^{Up/Down} **F599**.
- 06) Press the **SETUP** button again until the display shows **P-01**.
- 07) Use the **UP/DOWN** buttons until the display shows **P-02**.
- 08) Use the **UP/DOWN** buttons to scroll between **P-02** ^{Up/Down} **P-07**. In menu **P-02** ^{Up/Down} **P-07**, you can switch between the Flash frequency and the Program Running Speed by pressing the **SETUP** button.
- 09) Use the **UP/DOWN** buttons to change the values.



Static Color control

With this menu you can manually set a desired color.

- 01) Press the **MODE** button until the display shows **Colr**.
- 02) Press the **SETUP** button to open this menu.
- 03) You can use the **SETUP** button to scroll through the 3 color options and also set the strobe frequency.
- 04) Use the **UP/DOWN** buttons to change the values.



You can combine Red, Green and Blue to create an infinite range of colors (0-255).

DMX Addressing/ DMX configuration

With this menu you can set the DMX address and choose a DMX configuration.

- 01) Press the **MODE** button until the display shows **addr**.
- 02) You can choose 512 different DMX addresses.
- 03) Use the **UP/DOWN** buttons to select the required address from **addr** **Up/Down** **2512**.
Once you have set the desired DMX address, you can also choose the desired DMX Mode.
- 04) Press the **SETUP** button to choose one of the 3 different DMX Modes. Use the **UP/DOWN** buttons to select 3, 5 or 7 channels DMX mode.



Slave Mode

With this menu you can set the device as a Master or Slave.

- 01) Press the **MODE** button until the display shows **SLAV**.
- If the device has not been set to slave, it is automatically classified as a master device. All slave devices will follow the master movement. If the device has been set to slave, it will react the same as its master device.

Reset factory settings

Hold at the same time the **MODE** and **SETUP** button until the LED display flashes. The Carlow 72 will reset to the factory settings. The fixture will start up in the Auto Run mode.

DMX Channels

3 channels

Channel 1 – Red Dimmer intensity

0-255 Gradual adjustment Red from 0-100%

Channel 2 – Green Dimmer intensity

0-255 Gradual adjustment Green from 0-100%

Channel 3 – Blue Dimmer intensity

0-255 Gradual adjustment Blue from 0-100%

5 channels

Channel 1 – Master Dimmer intensity

0-255 Gradual adjustment, from dark to brightest 0-100%

Channel 2 – Red Dimmer intensity (CH1 must be set between 001-255)

0-255 Gradual adjustment Red from 0-100%

Channel 3 – Green Dimmer intensity (CH1 must be set between 001-255)

0-255 Gradual adjustment Green from 0-100%

Channel 4 – Blue Dimmer intensity (CH1 must be set between 001-255)

0-255 Gradual adjustment Blue from 0-100%

Channel 5 – Linear strobe (CH1, CH2, CH3 or CH4 must be set between 001-255)

0-9 Closed

10-255 Strobe flash frequency, from slow to fast (0-20 Hz)

7 channels

Channel 1 – Master Dimmer intensity

0-255 Gradual adjustment, from dark to brightest 0-100%

Channel 2 – Red Dimmer intensity (CH1 must be set between 001-255)

0-255 Gradual adjustment Red from 0-100%


Channel 3 – Green Dimmer intensity (CH1 must be set between 001-255)


0-255 Gradual adjustment Green from 0-100%

Channel 4 – Blue Dimmer intensity (CH1 must be set between 001-255)

0-255 Gradual adjustment Blue from 0-100%

Channel 5 – Strobe & built-in programs (CH1 must be set between 001-255 )

1-29	Strobe (CH1 and CH2, CH3 or CH4 and CH7 must be set between 001-255 )
30-59	Built-in program 1 (Autorun)
60-89	Built-in program 2
90-119	Built-in program 3
120-149	Built-in program 4
150-179	Built-in program 5
180-209	Built-in program 6
210-255	Built-in program 7

Channel 6 – Built-in program speed (CH5 must be set between 30-255 )

0-255	Gradual speed adjustment, from slow to fast
-------	---

Channel 7 – Linear strobe frequency

(CH1 and CH2, CH3 or CH4 must be set between 001-255 and CH5 between 1-29 )

0-255	Strobe flash frequency, from slow to fast (0-20 Hz)
-------	---

Maintenance

The operator has to make sure that safety-related and machine-technical installations are to be inspected by an expert after every year in the course of an acceptance test.

The operator has to make sure that safety-related and machine-technical installations are to be inspected by a skilled person once a year.

The following points have to be considered during the inspection:

- 01) All screws used for installing the device or parts of the device have to be tightly connected and must not be corroded.
- 02) There may not be any deformations on housings, fixations and installation spots.
- 03) The electric power supply cable must not show any damages or material fatigue.

The Carlow 72 requires almost no maintenance. However, you should keep the unit clean. Otherwise, the fixture's light output will be significantly reduced. Disconnect the mains power supply, and then wipe the cover with a damp cloth. Do not immerse in liquid. Wipe lens clean with glass cleaner and a soft cloth. Do not use alcohol or solvents.

The front lens will require weekly cleaning, as smoke-fluid tends to build up residues, reducing the light-output very quickly.

Keep connections clean. Disconnect electric power, and then wipe the connections with a damp cloth. Make sure connections are thoroughly dry before linking equipment or supplying electric power.

Troubleshooting

This troubleshooting guide is meant to help solve simple problems.

If a problem occurs, carry out the steps below in sequence until a solution is found. Once the unit operates properly, do not carry out following steps.

No Light

If the light effect does not operate properly, refer servicing to a technician.

Suspect two potential problem areas as: the power supply and the LED.

- 01) Power supply. Check that the unit is plugged into an appropriate LED driver.
- 02) The LED. Return the Carlow 72 to your Artecta dealer.
- 03) If all of the above appears to be O.K., plug the unit in again.
- 04) If you are unable to determine the cause of the problem, do not open the Carlow 72, as this may damage the unit and the warranty will become void.
- 05) Return the device to your Artecta dealer.

No Response to DMX

Suspect the DMX cable or connectors, a controller malfunction, a light effect DMX card malfunction.

- 01) Check the DMX setting. Make sure that DMX addresses are correct.
- 02) Check the DMX cable: Unplug the unit; change the DMX cable; then reconnect to electrical power. Try your DMX control again.
- 03) Determine whether the controller or light effect is at fault. Does the controller operate properly with other DMX products? If not, take the controller in for repair. If so, take the DMX cable and the light effect to a qualified technician.

Problem	Probable cause(s)	Solution
One or more fixtures do not function at all	No power to the fixture	<ul style="list-style-type: none"> Check if power is switched on and cables are plugged in
	Internal fuse blown	<ul style="list-style-type: none"> Return the Carlow 72 to your Artecta dealer
Fixtures reset correctly, but all respond erratically or not at all to the controller	The controller is not connected.	<ul style="list-style-type: none"> Connect controller.
	3-pin XLR Out of the controller does not match XLR Out of the first fixture on the link (i.e. signal is reversed)	<ul style="list-style-type: none"> Install a phase reversing cable between the controller and the first fixture on the link
Fixtures reset correctly, but some respond erratically or not at all to the controller	Poor data quality	<ul style="list-style-type: none"> Check data quality. If much lower than 100 percent, the problem may be a bad data link connection, poor quality or broken cables, missing termination plug, or a defective fixture disturbing the link
	Bad data link connection	<ul style="list-style-type: none"> Inspect connections and cables. Correct poor connections. Repair or replace damaged cables
	Data link not terminated with 120 Ohm termination plug	<ul style="list-style-type: none"> Insert termination plug in output jack of the last fixture on the link
	Incorrect addressing of the fixtures	<ul style="list-style-type: none"> Check address setting
	One of the fixtures is defective and disturbs data transmission on the link	<ul style="list-style-type: none"> Bypass one fixture at a time until normal operation is restored: unplug both connectors and connect them directly together. Have the defective fixture serviced by a qualified technician
	3-pin XLR Out on the fixtures does not match (pins 2 and 3 reversed)	<ul style="list-style-type: none"> Install a phase-reversing cable between the fixtures or swap pin 2 and 3 in the fixture that behaves erratically
No light or lamp cuts out intermittently	Fixture is too hot	<ul style="list-style-type: none"> Allow the fixture to cool down Clean the fan Make sure air vents in control panel and the front lens are not blocked Turn up the air conditioning
	LEDs damaged	<ul style="list-style-type: none"> Disconnect the fixture and return it to your dealer
	The power supply settings do not match local AC voltage and frequency	<ul style="list-style-type: none"> Disconnect fixture. Check settings and correct if necessary

Product Specifications

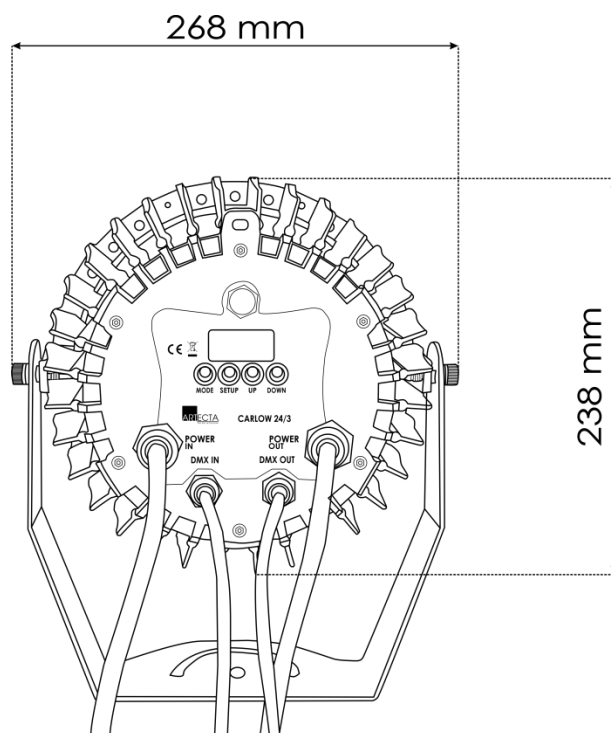
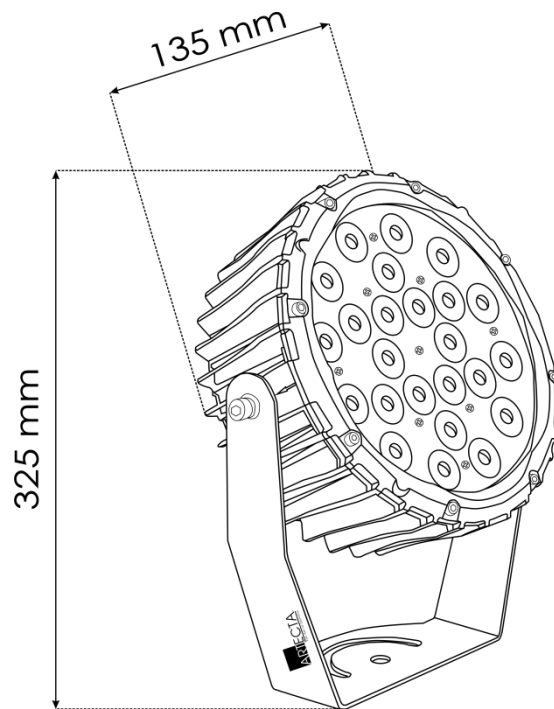
Model:	Artecta Carlow 72
Input Voltage:	100-240V AC, 50/60Hz
Power consumption:	78W (full output)
DMX linking:	30 pcs
Power linking 110V:	5 pcs
Power linking 240V:	10 pcs
Protection rate:	IP-66
Dimensions:	268 x 135 x 325 mm
Weight:	4,46 kg
Operating and Programming:	
Signal pin OUT:	Pin 1 (earth), pin 2 (-), pin 3 (+)
DMX Mode:	3, 5 or 7 channels
Signal input:	3-pin DMX IN
Signal output:	3-pin DMX OUT
Electro-mechanical effects:	
LED Quantity:	24 x 3W RGB LEDs
Light output:	Red 675 Lm Green 1546 Lm Blue 424 Lm RGB 2404 Lm
Beam angle:	18°
Dimmer:	0-100%
Strobe:	0-20Hz
Housing:	Grey aluminum
DMX-control:	via standard DMX-controller
On Board:	LED display for easy setup
Control:	Auto, Built-in Programs, Static dimmer, DMX, Master/Slave
Connections:	Dedicated IP66 Power & Data connectors
Max. ambient temperature t_a :	40°C
Max. housing temperature t_B :	80°C
Minimum distance:	
Minimum distance from flammable surfaces:	0,5 m
Minimum distance to lighted object:	1 m

Design and product specifications are subject to change without prior notice.



Website: artecta.nl
Email: service@highlite.nl

Dimensions





©2016 Artecta