

### Fixture Cleaning

Due to fog residue, smoke, and dust cleaning the internal and external optical lenses and mirror should be carried out periodically to optimize light output. Cleaning frequency depends on the environment in which the fixture operates (I.e. smoke, fog residue, dust, dew). In heavy club use we recommend cleaning on a monthly basis. Periodic cleaning will ensure longevity, and crisp output.

To clean the fixture:

1. Disconnect the fixture from power and allow it to cool for at least 10 minutes.
2. Vacuum or gently blow away dust and loose particles from the outside of the fixture with low-pressure compressed air.
3. Clean the surfaces by wiping gently with a soft, clean lint-free cloth moistened with a weak detergent solution. Do not rub glass surfaces hard: lift particles off with a soft repeated press. Dry with a soft, clean, lint-free cloth or low-pressure compressed air. Remove stuck particles with an unscented tissue or cotton swab moistened with glass cleaner or distilled water.
4. Check that the fixture is dry before reapplying power.

### Fuse Replacement

This fuse is located in a fuseholder next to the MAINS OUT socket on the connections panel.

To replace a fuse:

1. Disconnect the fixture from power and allow it to cool for at least 10 minutes.
2. Unscrew the cap of the fuseholder and remove the fuse. Replace with a fuse of the same size and rating only.
3. Reinstall the fuseholder cap before reapplying power.

### Troubleshooting

Listed below are a few common problems that you may encounter, with solutions.

The fixture does not work, no light

- Check the connection of power and main fuse. Be sure the external fuse has not blown.
- Measure the mains voltage on the main connector.

### Technical specifications

Model	Joliet 100FC Zoom
Power supply:	AC100-240V, 50/60Hz
Light source:	100W LED
Color mixing:	RGBW color mixing
Zoom scale:	25° - 65° motorized
Power connection:	PowerCON in&out
Maximum power linking:	8 units
Signal connection:	3-pin XLR in&out(5-pin optional)
DMX channels:	ARC.1(3CH), AR1.D(4CH), ARC.2(4CH), AR2.D(5CH), AR2.S(6CH), HSV(3CH), STAG(12CH)
Control mode:	RDM, DMX, Master-slave
Housing:	Colour black, Aluminium
Size(barn door excluded):	331 x 210 x 345,7mm(13 x 8.3 x 13.6in)
Package(carton):	448 x 338 x 400mm(17.6 x 13.3 x 15.7in)
N.W.:	6.6 kg(14.5 lb)
Environment:	IP20

Please note: All information is subject to change without prior notice. 13.11.2018



Please read the manual before using the product

Table of Contents

**Caution!**.....2  
**Introduction**.....2  
**Safety instructions**.....2  
**Overview**.....3  
**Installation**.....4  
 Read 'Safety information' before installing the fixture.....4  
 Fastening the fixture to a flat surface.....4  
 Mounting the fixture on a truss.....4  
 Securing with a safety cable.....5  
 DMX-512 connection/connection between fixtures.....5  
 Power connection.....5  
**Operation**.....6  
 Control Menu Map.....6  
 Addressing.....7  
 Universal DMX Control.....7  
 RDM control.....7  
**DMX Protocol**.....7  
 ID address selection.....10  
**Fixture Cleaning**.....11  
**Fuse Replacement**.....11  
**Troubleshooting**.....11  
 The fixture does not work, no light.....11  
**Technical specifications**.....11

AR2: S

6 Channels Mode	Function	Function Control
CH1	Dimmer	000-255: 0-100% dimmer
CH2	Red	000-255: 0-100% Red dimmer
CH3	Green	000-255: 0-100% Green dimmer
CH4	Blue	000-255: 0-100% Blue dimmer
CH5	White	000-255: 0-100% White dimmer
CH6	Strobe	000-255: Strobe with speed increasing

HSV

3 Channels Mode	Function	Function Control
CH1	Hue	000-255: 0-100% Hue
CH2	Saturation	000-255: 0-100% Saturation
CH3	Value(brightness)	000-255: 0-100% Value(brightness)

ID address selection (Stag-12 channels mode)

Each independent DMX address can have up to 66 ID addressed fixtures. An ID address of 0 will activate all ID address locations.

CH12 in Stag-12 CH mode is used to select the target ID address.

DMX value	Function	DMX value	Function	DMX value	Function
000-009	ID1-ID66	212	ID23	235	ID46
010-019	ID1	213	ID24	236	ID47
020-029	ID2	214	ID25	237	ID48
030-039	ID3	215	ID26	238	ID49
040-049	ID4	216	ID27	239	ID50
050-059	ID5	217	ID28	240	ID51
060-069	ID6	218	ID29	241	ID52
070-079	ID7	219	ID30	242	ID53
080-089	ID8	220	ID31	243	ID54
090-099	ID9	221	ID32	244	ID55
100-109	ID10	222	ID33	245	ID56
110-119	ID11	223	ID34	246	ID57
120-129	ID12	224	ID35	247	ID58
130-139	ID13	225	ID36	248	ID59
140-149	ID14	226	ID37	249	ID60
150-159	ID15	227	ID38	250	ID61
160-169	ID16	228	ID39	251	ID62
170-179	ID17	229	ID40	252	ID63
180-189	ID18	230	ID41	253	ID64
190-199	ID19	231	ID42	254	ID65
200-209	ID20	232	ID43	255	ID66
210	ID21	233	ID44		
211	ID22	234	ID45		

CH12	ID address setting	000-009: ID1-ID66
		010-019: ID1
		020-029: ID2
		030-039: ID3
		...
		200-209: ID20
		210: ID21
		211: ID22
		255: ID66

### ARC:1

3 Channels Mode	Function	Function Control
CH1	Red	000-255: 0-100% Red dimmer
CH2	Green	000-255: 0-100% Green dimmer
CH3	Blue	000-255: 0-100% Blue dimmer

### AR1:D

4 Channels Mode	Function	Function Control
CH1	Dimmer	000-255: 0-100% dimmer
CH2	Red	000-255: 0-100% Red dimmer
CH3	Green	000-255: 0-100% Green dimmer
CH4	Blue	000-255: 0-100% Blue dimmer

### ARC:2

4 Channels Mode	Function	Function Control
CH1	Red	000-255: 0-100% Red dimmer
CH2	Green	000-255: 0-100% Green dimmer
CH3	Blue	000-255: 0-100% Blue dimmer
CH4	White	000-255: 0-100% White dimmer

### AR2:D

5 Channels Mode	Function	Function Control
CH1	Dimmer	000-255: 0-100% dimmer
CH2	Red	000-255: 0-100% Red dimmer
CH3	Green	000-255: 0-100% Green dimmer
CH4	Blue	000-255: 0-100% Blue dimmer
CH5	White	000-255: 0-100% White dimmer

### Caution!



Be careful with your operations. With a dangerous voltage you can suffer a dangerous electric shock when touching the wires!



Avoid looking directly into the light source! Wear protective glasses and other PPE (personal protective equipment) when working on or near the fixture.



Always make sure you are connecting this product to the proper voltage in accordance with the specifications in this manual or on the product's specification label. Make sure it is grounded when using it!  
 Unplug mains lead before opening the housing!  
 Make sure that the power cord is never crimped or damaged by sharp edges. Check the fixture and the power cord from time to time. Make sure to replace the fuse with another of the same type and rating.



For your own safety, please read this user manual carefully before your initial start-up. Follow operating safety precautions and pay attention to warning signs methods and equipment on the user manual.



Warning! This symbol indicates a hot surface. Certain parts of the housing can become hot during operation. After use, wait for a cool-down period of at least 10 minutes before handling or transporting the device.



Indoor use only! To prevent risk of fire or shock, do not expose this product to rain or moisture. IP 20 rating. The ambient temperature must always be between -5° C and +45° C.

Every person involved with the installation, operation and maintenance of this device has to

- Be qualified
- Follow the instructions of this manual
- Consider this manual to be part of the total product
- Keep this manual for the entire service life of the product
- Pass this manual on to every further owner or user of the product
- Download the latest version of the user manual from the Internet

### Introduction

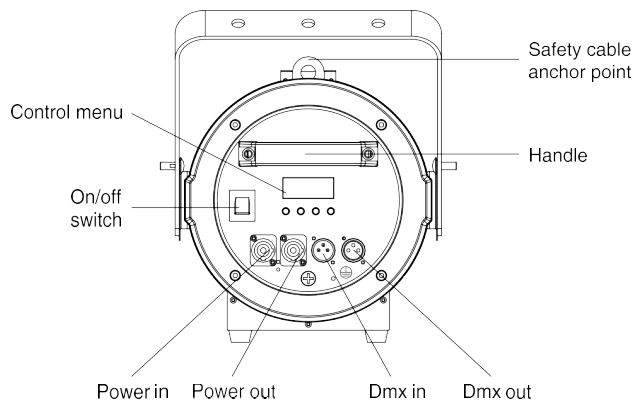
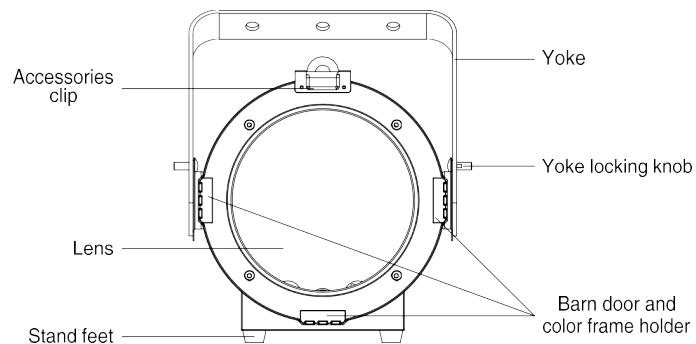
Thank you for having chosen Joliet 100FC Zoom. You will see you acquired a powerful and versatile device.

Unpack your item. Before your initial start-up, please make sure that there is no damage caused by transportation. Should there be any, consult your dealer and do not use the device.

### Safety instructions

This device has left our premises in absolutely perfect condition. In order to maintain this condition and to ensure a safe operation, it is absolutely necessary for the user to follow the safety instructions and warning notes written in this user manual. Always disconnect from the mains, when the device is not in use or before cleaning it. Keep away children and amateurs from the device! There are no serviceable parts inside the device. Maintenance and service operations are only to be carried out by authorized dealers

## Overview



CH3	Green	000-255: 0-100% Green dimmer
CH4	Blue	000-255: 0-100% Blue dimmer
CH5	White	000-255: 0-100% White dimmer
CH6	Color preset & color temp	000-010: No function
		011-030: Red 100%, Green 0-100%, Blue 0%
		031-050: Red 100-0%, Green 100%, Blue 0%
		051-070: Red 0%, Green 100%, Blue 0-100%
		071-090: Red 0%, Green 100-0%, Blue 100%
		091-110: Red 0~100%, Green 0%, Blue 100%
		111-130: Red 100%, Green 0%, Blue 100-0%
		131-150: Red 100%, Green 0-100%, Blue 0-100%
		151-170: Red 100-0%, Green 100-0%, Blue 100%
		171-200: Red 100%, Green 100%, Blue 100%
CH7	Strobe	000-013: Strobe off
		014-255: Strobe with speed increasing
CH8	Zoom	000-255: Zoom function
CH9	Auto program	000-020: no function
		021-030: Auto1
		031-040: Auto2
		041-050: Auto3
		051-060: Auto4
		061-070: Auto5
		071-080: Auto6
		081-090: Auto7
		091-100: Auto8
		101-110: Auto9
CH10	Auto program speed	111-120: Auto10
		121-255: No function
CH11	Dimmer mode	000-255: Speed increasing
		000-005: Menu setting
		006-055: Dimmer speed 0 (no delay)
		056-105: Dimmer speed 1
		106-155: Dimmer speed 2
		156-205: Dimmer speed 3
		206-255: Dimmer speed 4 (slowest speed)

### Addressing

All fixtures should be given a DMX starting address when using a DMX signal, so that the correct fixture responds to the correct control signals. This digital starting address is the channel number from which the fixture starts to listen to the digital control information sent out from the DMX controller. The allocation of this starting address is achieved by setting the correct number on the display located on the base of the device.

You can set the same starting address for all fixtures or a group of fixtures, or make different address for each fixture individually.

If you set the same address, all the units will start to listen to the same control signal from the same channel number. In other words, changing the settings of one channel will affect all the fixtures simultaneously.

If you set a different address, each unit will start to listen to the channel number you have set, based on the quantity of control channels of the unit. That means changing the settings of one channel will affect only the selected fixture.

In the case of the Joliet 100FC Zoom, which is 3/4/5/6/12 channels fixture. If you set, for example, the address in the 3 channel mode to channel 4, the device will use the channel 4 to 7 for control.

### Universal DMX Control

This function allows you to use a universal DMX-512 controller to control the dimmer and strobe. A DMX controller allows you to create unique programs tailored to your individual needs.

### RDM control

The Joliet 100FC Zoom can communicate using RDM (Remote Device Management) in accordance with ESTA's American National Standard E1.20-2006: Entertainment Technology RDM Remote Device Management over DMX512 Networks.

RDM is a bi-directional communications protocol for use in DMX512 control systems; it is the open standard for DMX512 device configuration and status monitoring.

The RDM protocol allows data packets to be inserted into a DMX512 data stream without affecting existing non-RDM equipment. It allows a console or dedicated RDM controller to send commands to and receive messages from specific fixtures.

With RDM function, you can set the DMX address of your fixtures remotely. This is especially useful when the device is installed in a remote area.

Each Joliet 100FC Zoom has a factory set RDM UID (unique identification number).

### DMX Protocol STAG

12 Channels Mode	Function	Function Control
CH1	Dimmer	000-255: 0-100% dimmer
CH2	Red	000-255: 0-100% Red dimmer

### Installation

#### Read 'Safety information' before installing the fixture.

The fixture is designed for indoor use only and must be used in a dry location with adequate ventilation. Ensure that none of the fixture's ventilation slots are blocked.

Fasten the fixture to a secure structure or surface. Do not stand it on a surface or leave it where it can be moved or fall over. If you install the fixture in a location where it may cause injury or damage if it falls, secure it as directed in this user manual using a securely anchored safety cable that will hold the fixture if the primary fastening method fails.

#### Fastening the fixture to a flat surface

The fixture can be fastened to a hard, fixed, flat surface that is oriented at any angle. Ensure that the surface and all fasteners used can support at least 10 times the weight of all fixtures and equipment to be installed on it.

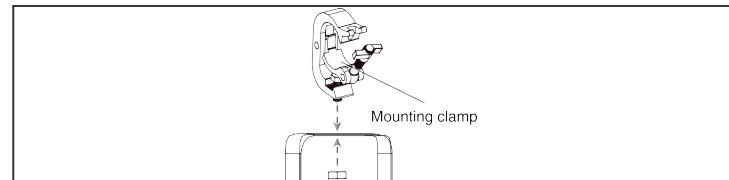
Fasten the fixture securely. Do not stand it on a surface or leave it where it can be moved or fall over. If you install the fixture in a location where it may cause injury or damage if it falls, secure it as directed below with a securely anchored safety cable that will hold the fixture if the primary fastening method fails.

#### Mounting the fixture on a truss

The fixture can be clamped to a truss or similar rigging structure in any orientation. When installing the fixture hanging vertically down, you can use an open-type clamp such as a G-clamp. When installing in any other orientation, you must use a half-coupler clamp that completely encircles the truss chord.

To clamp the fixture to a truss:

1. Check that the rigging structure can support at least 10 times the weight of all fixtures and equipment to be installed on it.
2. Block access under the work area.
3. Fold the legs of the mounting bracket together and bolt a rigging clamp securely to the mounting bracket. The bolt used must be M10, grade 8.8 steel minimum. It must pass through both mounting bracket legs and be fastened with a self-locking nut.
4. Working from a stable platform, hang the fixture with its clamp on the truss and fasten the clamp securely.
5. Secure the fixture with a safety cable as directed below.



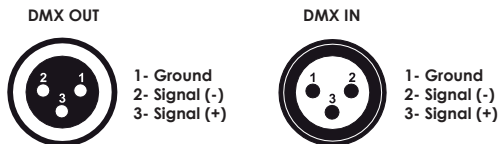
### Securing with a safety cable

Secure the fixture with a safety cable (or other secondary attachment) that is approved for the weight of the fixture so that the safety cable will hold the fixture if a primary attachment fails.

Loop the safety cable through the eyebolt in the back of the fixture and around a secure anchoring point. Do not loop the safety cable around the fixture's mounting bracket only, as this will leave the fixture unsecured if it separates from the bracket.

### DMX-512 connection/connection between fixtures

Occupation of the XLR-connection:



If you are using controllers with this occupation, you can connect the DMX-output of the controller directly with the DMX-input of the first fixture in the DMX-chain. If you wish to connect DMX-controllers with other XLR-outputs, you need to use adapter-cables.

### Building a serial DMX-chain:

Connect the DMX-output of the first fixture in the DMX-chain with the DMX-input of the next fixture. Always connect one output with the input of the next fixture until all fixtures are connected.

### DMX-512 connection with DMX terminator:

For installations where the DMX cable has to run a long distance or is in an electrically noisy environment, such as in a discotheque, it is recommended to use a DMX terminator. This helps in preventing corruption of the digital control signal by electrical noise. The DMX terminator is simply an XLR plug with a 120 resistor connected between pins 2 and 3, which is then plugged into the output XLR socket of the last fixture in the chain.

**Caution:** At the last fixture, the DMX-cable has to be terminated with a terminator. Solder a 120 Ω resistor between Signal (-) and Signal (+) into a 3-pin XLR-plug and plug it in the DMX-output of the last fixture.

### Power connection

#### Power Requirements

The Joliet 100FC Zoom luminaire operates on 100 to 240 volts AC (+/- 10%, auto-ranging). The luminaire contains an auto-ranging power supply.

### Power linking between fixtures:

The fixture with powercon in and out socket. Connect the power out to the power in socket in the next fixture till all are connected.

**Caution:** maximum power linking - 8 units.

### Connection with the mains:

Connect the device to the mains with the enclosed power supply cable.

The occupation of the connection cables as below:

Cable color	Connection	International
Brown	Live	L
Blue	Neutral	N
Yellow/green	Earth (Ground)	⊕

### Operation

The Joliet 100FC zoom can operate different modes. In each mode you can run the fixture as a standalone fixture or in a master/slave configuration. This next section will detail the differences in the operating modes.

### Control Menu Map

MENU	SUB MENU	OPERATION
Addr	d001-d512	RDM/DMX address
CHnL	Stag(12CH)	Channel mode
	ArC.1(3CH)	
	Ar1.d(4CH)	
	ArC.2(4CH)	
	Ar2.d(5CH)	
	Ar2.S(6CH)	
	HSV(3CH)	
SP-	T.(00-99)	Auto program speed increasing
Pr-	Pr01~Pr10	Auto programs
CoLo	C.(01~15)	Color preset
Sens	S.(000-100)	Sound sensitivity
Strb	S.01-s.20	Strobe with speed increasing
rL-	r.(000-255)	Red dimmer
gL-	g.(000-255)	Green dimmer
bL-	b.(000-255)	Blue dimmer
uL-	u.(000-255)	White dimmer
Focu	F.(000-255)	Zoom
nodE	nod.0	Dimmer speed 0 (no delay)
	nod.1	Dimmer speed 1
	nod.2	Dimmer speed 2
	nod.3	Dimmer speed 3
	nod.4	Dimmer speed 4 (slowest speed)
Id	Id.01-Id.66	ID address setting
tEnP	-25~100	Fixture temperature
UErn		Firmware version
rSEt	yes/no	Reset
pnnF	(1.2~24.0)F	PWM refresh rate adjustment(KHz)

**Limpeza de accesorios**

Debido a los residuos de niebla, humo y polvo, la limpieza de las lentes ópticas internas y externas y del espejo debe realizarse periódicamente para optimizar la salida de luz. La frecuencia de limpieza depende del entorno en el que funciona el accesorio (es decir, humo, residuos de niebla, polvo, rocío). En caso de uso intensivo del palo, recomendamos limpiarlo mensualmente. La limpieza periódica asegurará la longevidad y una salida nítida.

Para limpiar el accesorio:

1. Desconecte la lámpara de la corriente y deje que se enfríe durante al menos 10 minutos.
2. Aspire o sople suavemente el polvo y las partículas sueltas del exterior del aparato con aire comprimido a baja presión.
3. Limpie las superficies frotando suavemente con un paño suave, limpio y sin pelusa humedecido con una solución de detergente suave. No frote las superficies de vidrio con fuerza: levante las partículas con una presión suave y repetida. Seque con un paño suave, limpio y sin pelusa o con aire comprimido a baja presión. Retire las partículas adheridas con un pañuelo de papel sin perfume o un bastoncillo de algodón humedecido con limpiacristales o agua destilada.
4. Verifique que el accesorio esté seco antes de volver a aplicar energía.

**Reemplazo de fusibles**

Este fusible se encuentra en un portafusible junto a la toma MAINS OUT del panel de conexiones. Para reemplazar un fusible:

1. Desconecte la lámpara de la corriente y deje que se enfríe durante al menos 10 minutos.
2. Desenrosque la tapa del portafusibles y retire el fusible. Reemplácelo con un fusible del mismo tamaño y clasificación únicamente.
3. Vuelva a instalar la tapa del portafusibles antes de volver a aplicar energía.

**Solución de problemas**

A continuación se enumeran algunos problemas comunes que puede encontrar, con soluciones.

La lámpara no funciona, no hay luz.

- Compruebe la conexión de alimentación y el fusible principal. Asegúrese de que el fusible externo no se haya quemado.
- Mida la tensión de red en el conector principal.

**Especificaciones técnicas**

Modelo	Joliet 100FC Zoom
Fuente de alimentación:	100-240 V CA, 50/60 Hz
Fuente de luz:	LED de 100W
Mezcla de colores:	Mezcla de colores RGBW
Escala de zoom:	25° - 65° motorizado
Conexión eléctrica:	Entrada y salida PowerCON
Enlace de potencia máxima:	8 unidades
Conexión de señal:	Entrada y salida XLR de 3 pines (5 pines opcional)
Canales DMX:	ARC.1(3CH), AR1.D(4CH), ARC.2(4CH), AR2.D(5CH), AR2.S(6CH), HSV(3CH), STAG(12CH)
Modo de control:	RDM, DMX, Maestro-esclavo
Alojamiento:	Color negro, Aluminio
Tamaño (puerta de granero excluye):	331 x 210 x 345,7 mm (13 x 8,3 x 13,6 pulgadas)
Paquete (cartón):	448 x 338 x 400 mm (17,6 x 13,3 x 15,7 pulgadas)
NOROESTE.:	6,6 kg (14,5 libras)
Ambiente:	IP20

Tenga en cuenta: toda la información está sujeta a cambios sin previo aviso.13.11.2018

# Joliet 100FC Zoom

Por favor, lea el manual antes de usar el producto

**Tabla de contenido**

**¡Precaución!**.....2  
**Introducción**.....2  
**Instrucciones de seguridad**.....2  
**Visión General**.....3  
**Instalación**.....4  
 Lea la 'Información de seguridad' antes de instalar el accesorio.....4  
 Fijación de la luminaria a una superficie plana.....4  
 Montaje de la luminaria en un truss.....4  
 Asegurar con un cable de seguridad.....5  
 Conexión DMX-512/conexión entre aparatos.....5  
 Conexión de alimentación.....5  
**Operación**.....6  
 Mapa del menú de control.....6  
 Direccionamiento.....7  
 Control universal DMX.....7  
 Control RDM.....7  
**Protocolo DMX**.....7  
 Selección de Dirección ID.....10  
**Limpieza de accesorios**.....11  
**Reemplazo de Fusible**.....11  
**Solución de problemas**.....11  
 El aparato no funciona, no hay luz.....11  
**Especificaciones técnicas**.....11

**AR2: S**

Modo de 6 CH	Función	Control de funciones
CH1	Atenuación	000-255: 0-100 % de atenuación
CH2	Rojo	000-255: 0-100% Atenuador rojo
CH3	Verde	000-255: 0-100% Atenuador verde
CH4	Azul	000-255: 0-100% Atenuador azul
CH5	Blanco	000-255: 0-100% Atenuador blanco
CH6	Estroboscópico	000-255: luz estroboscópica con aumento de velocidad

**HSV**

Modo de 3 CH	Función	Control de funciones
CH1	Matiz	000-255: 0-100 % tono
CH2	Saturación	000-255: 0-100 % de saturación
CH3	Valor (brillo)	000-255: 0-100% Valor (brillo)

Selección de dirección de identificación (modo de Stag-12 canales)  
 Cada dirección DMX independiente puede tener hasta 66 dispositivos direccionados ID.  
 Una dirección de identificación de 0 activará todas las ubicaciones de direcciones de identificación.

CH12 en modo Stag-12 CH se utiliza para seleccionar la dirección de ID de destino.

Valor DMX	Función	Valor DMX	Función	Valor DMX	Función
000-009	ID1-ID66	212	ID23	235	ID46
010-019	ID1	213	ID24	236	ID47
020-029	ID2	214	ID25	237	ID48
030-039	ID3	215	ID26	238	ID49
040-049	ID4	216	ID27	239	ID50
050-059	ID5	217	ID28	240	ID51
060-069	ID6	218	ID29	241	ID52
070-079	ID7	219	ID30	242	ID53
080-089	ID8	220	ID31	243	ID54
090-099	ID9	221	ID32	244	ID55
100-109	ID10	222	ID33	245	ID56
110-119	ID11	223	ID34	246	ID57
120-129	ID12	224	ID35	247	ID58
130-139	ID13	225	ID36	248	ID59
140-149	ID14	226	ID37	249	ID60
150-159	ID15	227	ID38	250	ID61
160-169	ID16	228	ID39	251	ID62
170-179	ID17	229	ID40	252	ID63
180-189	ID18	230	ID41	253	ID64
190-199	ID19	231	ID42	254	ID65
200-209	ID20	232	ID43	255	ID66
210	ID21	233	ID44		
211	ID22	234	ID45		



CH12	configuración de la dirección de identificación	000-009: ID1-ID66
		010-019: ID1
		020-029: ID2
		030-039: ID3
		...
		200-209: ID20
		210: ID21
		211: ID22
		...
		255: ID66

### ARC:1

Modo de 3 CH	Función	Control de funciones
CH1	Rojo	000-255: 0-100% Atenuador rojo
CH2	Verde	000-255: 0-100% Atenuador verde
CH3	Azul	000-255: 0-100% Atenuador azul

### AR1:D

Modo de 4 CH	Función	Control de funciones
CH1	Atenuación	000-255: 0-100 % de atenuación
CH2	Rojo	000-255: 0-100% Atenuador rojo
CH3	Verde	000-255: 0-100% Atenuador verde
CH4	Azul	000-255: 0-100% Atenuador azul

### ARC:2

Modo de 4 CH	Función	Control de funciones
CH1	Rojo	000-255: 0-100% Atenuador rojo
CH2	Verde	000-255: 0-100% Atenuador verde
CH3	Azul	000-255: 0-100% Atenuador azul
CH4	Blanco	000-255: 0-100% Atenuador blanco

### AR2:D

Modo de 5 CH	Función	Control de funciones
CH1	Atenuación	000-255: 0-100 % de atenuación
CH2	Rojo	000-255: 0-100% Atenuador rojo
CH3	Verde	000-255: 0-100% Atenuador verde
CH4	Azul	000-255: 0-100% Atenuador azul
CH5	Blanco	000-255: 0-100% Atenuador blanco

### ¡Precaución!



Tenga cuidado con sus operaciones. ¡Con un voltaje peligroso puede sufrir una peligrosa descarga eléctrica al tocar los cables!



¡Evite mirar directamente a la fuente de luz! Use anteojos protectores y otro PPE (equipo de protección personal) cuando trabaje en o cerca del accesorio.



Asegúrese siempre de conectar este producto al voltaje adecuado de acuerdo con las especificaciones de este manual o de la etiqueta de especificaciones del producto. ¡Asegúrese de que esté conectado a tierra cuando lo use! Desconecte el cable de alimentación antes de abrir la carcasa. Asegúrese de que el cable de alimentación nunca esté doblado o dañado por bordes afilados. Compruebe la lámpara y el cable de alimentación de vez en cuando. Asegúrese de reemplazar el fusible con otro del mismo tipo y clasificación.



Por su propia seguridad, lea detenidamente este manual de usuario antes de la puesta en marcha inicial. Siga las precauciones de seguridad operativas y preste atención a los métodos y equipos de advertencia en el manual del usuario.



¡Advertencia! Este símbolo indica una superficie caliente. Ciertas partes de la carcasa pueden calentarse durante el funcionamiento. Después del uso, espere un período de enfriamiento de al menos 10 minutos antes de manipular o transportar el dispositivo.



¡Solamente para uso en interiores! Para evitar el riesgo de incendio o descarga eléctrica, no exponga este producto a la lluvia ni a la humedad. Clasificación IP20. La temperatura ambiente debe estar siempre entre -5° C y +45° C.

Toda persona involucrada en la instalación, operación y mantenimiento de este dispositivo debe

- Estar calificado
- Siga las instrucciones de este manual
- Considere este manual como parte del producto total
- Conserve este manual durante toda la vida útil del producto.
- Entregue este manual a todos los demás propietarios o usuarios del producto.
- Descarga la última versión del manual de usuario de Internet

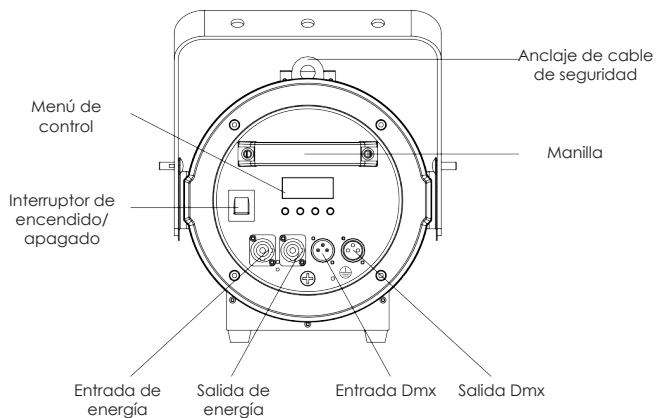
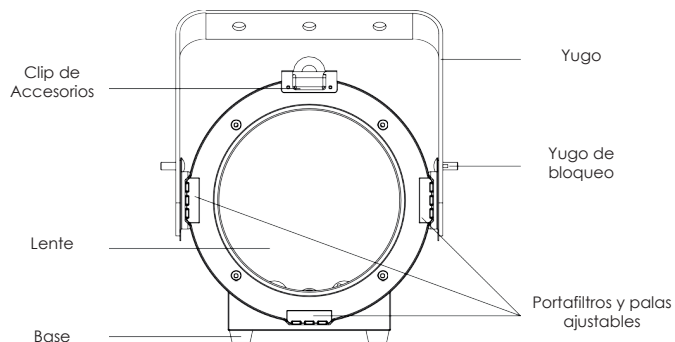
### Introducción

Gracias por haber elegido Joliet 100FC Zoom. Verás que has adquirido un dispositivo potente y versátil. Desembale su artículo. Antes de su puesta en marcha inicial, asegúrese de que no haya daños causados por el transporte. Si los hubiera, consulte a su distribuidor y no utilice el dispositivo.

### Instrucciones de seguridad

Este dispositivo ha salido de nuestras instalaciones en absolutamente perfecto estado. Para mantener esta condición y garantizar una operación segura, es absolutamente necesario que el usuario siga las instrucciones de seguridad y las notas de advertencia escritas en este manual del usuario. Desconecte siempre de la red eléctrica, cuando el dispositivo no esté en uso o antes de limpiarlo. ¡Mantenga alejados a los niños y aficionados del dispositivo! No hay piezas reparables dentro del dispositivo. Las operaciones de mantenimiento y servicio solo deben ser realizadas por distribuidores autorizados.

## Visión general



CH3	Verde	000-255: 0-100% Atenuador verde
CH4	Azul	000-255: 0-100% Atenuador azul
CH5	Blanco	000-255: 0-100% Atenuador blanco
CH6	Preajuste de color y temperatura de color	000-010: Sin función
		011-030: rojo 100 %, verde 0-100 %, azul 0 %
		031-050: rojo 100-0 %, verde 100 %, azul 0 %
		051-070: Rojo 0%, Verde 100%, Azul 0-100%
		071-090: Rojo 0%, Verde 100-0%, Azul 100%
		091-110: rojo 0~100 %, verde 0 %, azul 100 %
		111-130: rojo 100 %, verde 0 %, azul 100-0 %
		131-150: rojo 100 %, verde 0-100 %, azul 0-100 %
		151-170: rojo 100-0 %, verde 100-0 %, azul 100 %
		171-200: rojo 100 %, verde 100 %, azul 100 %
CH7	Estroboscópico	000-013: Luz estroboscópica apagada
		014-255: luz estroboscópica con aumento de velocidad
CH8	Zoom	000-255: Función zoom
CH9	Programa automático	000-020: sin función
		021-030: Auto1
		031-040: Auto2
		041-050: Auto3
		051-060: Auto4
		061-070: Auto5
		071-080: Auto6
		081-090: Auto7
		091-100: Auto8
		101-110: Auto9
		111-120: Auto10
CH10	Velocidad del programa automático	121-255: Sin función
		000-255: Aumento de velocidad
CH11	Modo de atenuación	000-005: Configuración del menú
		006-055: Velocidad de atenuación 0 (sin demora)
		056-105: Velocidad de atenuación 1
		106-155: Velocidad de atenuación 2
		156-205: Velocidad de atenuación 3
206-255: Velocidad de atenuación 4 (velocidad más lenta)		

### Direccionamiento

Todos los dispositivos deben recibir una dirección de inicio DMX cuando se utiliza una señal DMX, de modo que el dispositivo correcto responda a las señales de control correctas. Esta dirección de inicio digital es el número de canal desde el cual el dispositivo comienza a escuchar la información de control digital enviada desde el controlador DMX. La asignación de esta dirección inicial se logra configurando el número correcto en la pantalla ubicada en la base del dispositivo.

Puede establecer la misma dirección de inicio para todos los aparatos o un grupo de aparatos, o hacer una dirección diferente para cada aparato individualmente.

Si configura la misma dirección, todas las unidades comenzarán a escuchar la misma señal de control desde el mismo número de canal. En otras palabras, cambiar la configuración de un canal afectará a todos los dispositivos simultáneamente.

Si establece una dirección diferente, cada unidad comenzará a escuchar el número de canal que ha establecido, en función de la cantidad de canales de control de la unidad. Eso significa que cambiar la configuración de un canal afectará solo al dispositivo seleccionado.

En el caso de la Joliet 100FC Zoom, que es un aparato de 3/4/5/6/12 canales. Si establece, por ejemplo, la dirección en el modo de 3 canales en el canal 4, el dispositivo utilizará el canal 4-7 para el control.

### Control DMX universal

Esta función le permite usar un controlador DMX-512 universal para controlar el atenuador y la luz estroboscópica. Un controlador DMX le permite crear programas únicos adaptados a sus necesidades individuales.

### Control RDM

El Joliet100FC Zoom puede comunicarse mediante RDM (Administración de dispositivos remotos) de acuerdo con el Estándar nacional estadounidense E1.20-2006 de ESTA: Tecnología de entretenimiento RDM Administración de dispositivos remotos a través de redes DMX512.

RDM es un protocolo de comunicaciones bidireccional para usar en sistemas de control DMX512, es el estándar abierto para la configuración de dispositivos DMX512 y el monitoreo de estado.

El protocolo RDM permite insertar paquetes de datos en un flujo de datos DMX512 sin afectar el equipo existente que no es RDM. Permite que una consola o un controlador RDM dedicado envíe comandos y reciba mensajes de dispositivos específicos.

Con la función RDM, puede configurar la dirección DMX de sus dispositivos de forma remota. Esto es especialmente útil cuando el dispositivo está instalado en un área remota. Cada Joliet100FC Zoom tiene un RDM UID (número de identificación único).

### Protocolo DMX STAG

Modo de 12 CH	Función	Control de funciones
CH1	Regulador de intensidad	000-255: 0-100 % de atenuación
CH2	Rojo	000-255: 0-100% Atenuador rojo

### Instalación

Lea la "Información de seguridad" antes de instalar el accesorio. El accesorio está diseñado para uso en interiores únicamente y debe usarse en un lugar seco con ventilación adecuada. Asegúrese de que ninguna de las ranuras de ventilación del accesorio esté bloqueada.

Fije el accesorio a una estructura o superficie segura. No lo coloque sobre una superficie ni lo deje donde pueda moverse o caerse. Si instala el dispositivo en un lugar donde puede causar lesiones o daños si se cae, asegúrelo como se indica en este manual del usuario utilizando un cable de seguridad firmemente anclado que sostendrá el dispositivo si falla el método de sujeción principal.

### Fijación de la luminaria a una superficie plana

El accesorio se puede sujetar a una superficie plana, dura y fija que esté orientada en cualquier ángulo. Asegúrese de que la superficie y todos los sujetadores utilizados puedan soportar al menos 10 veces el peso de todos los accesorios y equipos que se instalarán en ella.

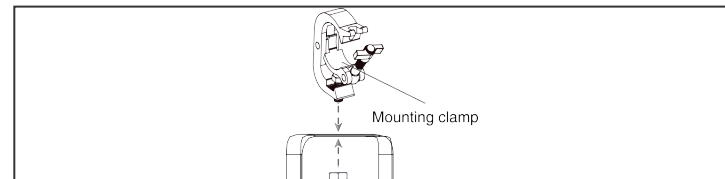
Sujete el accesorio de forma segura. No lo coloque sobre una superficie ni lo deje donde pueda moverse o caerse. Si instala el dispositivo en un lugar donde puede causar lesiones o daños si se cae, asegúrelo como se indica a continuación con un cable de seguridad firmemente anclado que sostendrá el dispositivo si falla el método de sujeción principal.

### Montaje de la luminaria en un truss

El accesorio se puede sujetar a un truss o estructura de aparejo similar en cualquier orientación. Cuando instale la luminaria colgando verticalmente hacia abajo, puede usar una abrazadera de tipo abierto, como una abrazadera G. Al instalar en cualquier otra orientación, debe usar una abrazadera de medio acoplador que rodee completamente el cordón de la armadura.

Para sujetar la luminaria a un truss:

1. Verifique que la estructura de aparejo pueda soportar al menos 10 veces el peso de todos los accesorios y equipos que se instalarán en ella.
2. Bloquee el acceso debajo del área de trabajo.
3. Doble las patas del soporte de montaje y atornille firmemente una abrazadera de montaje al soporte de montaje. El perno utilizado debe ser de acero M10, grado 8.8 como mínimo. Debe pasar a través de ambas patas del soporte de montaje y sujetarse con una tuerca autoblocante.
4. Trabajando desde una plataforma estable, cuelgue la luminaria con su abrazadera en el truss y sujete la abrazadera de forma segura.
5. Asegure la luminaria con un cable de seguridad como se indica a continuación.



### Asegurar con un cable de seguridad

Asegure la lámpara con un cable de seguridad (u otro accesorio secundario) que esté aprobado para el peso de la lámpara, de modo que el cable de seguridad sostenga la lámpara si falla una conexión principal.

Pase el cable de seguridad a través del cáncamo en la parte posterior de la lámpara y alrededor de un punto de anclaje seguro. No enrolle el cable de seguridad solo alrededor del soporte de montaje de la luminaria, ya que esto dejará la luminaria sin asegurar si se separa del soporte.

### Conexión DMX-512/conexión entre luminarias

Ocupación de la conexión XLR:

SALIDA DMX



- 1- Tierra
- 2- Señal (-)
- 3- Señal (+)

ENTRADA DMX



- 1- Tierra
- 2- Señal (-)
- 3- Señal (+)

Si está utilizando controladores con esta ocupación, puede conectar la salida DMX del controlador directamente con la entrada DMX del primer dispositivo en la cadena DMX. Si desea conectar controladores DMX con otras salidas XLR, necesita usar cables adaptadores.

### Construcción de una cadena DMX en serie:

Conecte la salida DMX del primer dispositivo de la cadena DMX con la entrada DMX del siguiente dispositivo. Siempre conecte una salida con la entrada del siguiente dispositivo hasta que todos los dispositivos estén conectados.

### Conexión DMX-512 con terminador DMX:

Para instalaciones en las que el cable DMX tiene que recorrer una gran distancia o se encuentra en un entorno eléctricamente ruidoso, como en una discoteca, se recomienda utilizar un terminador DMX. Esto ayuda a prevenir la corrupción de la señal de control digital por ruido eléctrico. El terminador DMX es simplemente un conector XLR con una resistencia de 120 conectada entre los pines 2 y 3, que luego se conecta al conector XLR de salida del último dispositivo de la cadena.

**Precaución:** En el último dispositivo, el cable DMX debe terminarse con un terminador. Suelde una resistencia de 120  $\Omega$  entre Signal (-) y Signal (+) en un conector XLR de 3 pines y conectelo a la salida DMX del último dispositivo.

### Conexión eléctrica Requerimientos de energía

La luminaria Joliet 100 Zoom funciona con 100 a 240 voltios CA (+/- 10 %, rango automático). La luminaria contiene una fuente de alimentación de rango automático.

### Enlace de potencia entre luminarias:

El accesorio con enchufe de entrada y salida powercon. Conecte la salida de alimentación a la toma de entrada de alimentación en el siguiente dispositivo hasta que todos estén conectados.

**Precaución:** Enlace de potencia máxima - 8 unidades.

### Conexión con la red:

Conecte el dispositivo a la red eléctrica con el cable de alimentación adjunto.

La ocupación de los cables de conexión de la siguiente manera:

Color de los cables	Conexión	Internacional
Marrón	Vivir	L
Azul	Neutral	N
Amarillo / verde	Tierra	⏚

### Operación

La Joliet 100FC Zoom puede operar en diferentes modos. En cada modo, puede ejecutar el dispositivo como un dispositivo independiente o en una configuración maestro/esclavo. La siguiente sección detallará las diferencias en los modos de operación.

### Mapa del menú de control

MENÚ	SUB MENÚ	OPERACIÓN
Addr	d001-d512	Dirección RDM/DMX
CHnL	Stag(12CH)	Modo de canal
	Ar.C.1(3CH)	
	Ar1.d(4CH)	
	Ar.C.2(4CH)	
	Ar2.d(5CH)	
	Ar2.S(6CH)	
	HSV(3CH)	
SP--	T.(00-99)	Aumento de la velocidad del programa automático
Pr--	Pr01~Pr10	Programas automáticos
CoLo	C.(01~15)	Pregajuste de color
Sens	S.(000-100)	Sensibilidad al sonido
Strb	S.01-s.20	Luz estroboscópica con aumento de velocidad
rL-	r.(000-255)	Atenuador rojo
gL-	g.(000-255)	Atenuador verde
bL-	b.(000-255)	Atenuador azul
uL-	u.(000-255)	Atenuador blanco
Focu	F.(000-255)	Zoom
nodE	nod.0	Velocidad de atenuación 0 (sin retardo)
	nod.1	Velocidad de atenuación 1
	nod.2	Velocidad de atenuación 2
	nod.3	Velocidad de atenuación 3
	nod.4	Velocidad de atenuación 4 (velocidad más lenta)
Id	Id.01-Id.66	Configuración de la dirección de identificación
tEnP	-25~100	Temperatura del accesorio
UErn		Versión de firmware
rSEt	yes/no	Reiniciar
pnnF	(1,2~24,0)F	Ajuste de frecuencia de actualización PWM (KHz)