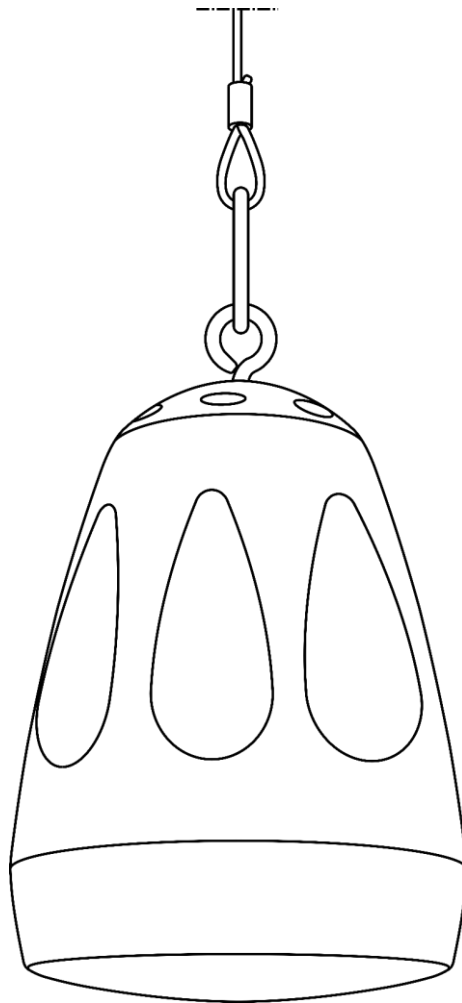


# DAP

## USER MANUAL



**ENGLISH**

**DPS-640 6,5" 40 W Pendant Speaker V1**

**Product code: D6615B – Black, D6615W – White**

## Table of contents

<b>1. Introduction .....</b>	<b>3</b>
1.1. Before Using the Product .....	3
1.2. Intended Use.....	3
1.3. Text Conventions.....	3
1.4. Symbols and Signal Words .....	4
1.5. Symbols on the Information Label .....	4
<b>2. Safety.....</b>	<b>5</b>
2.1. Warnings and Safety Instructions .....	5
2.2. Requirements for the User .....	6
<b>3. Description of the Device .....</b>	<b>7</b>
3.1. Side View .....	7
3.2. Top View .....	7
3.3. Product Specifications .....	8
3.4. Dimensions.....	8
<b>4. Installation and Setup.....</b>	<b>9</b>
4.1. Safety Instructions for Installation .....	9
4.2. Installation Site Requirements .....	9
4.3. Selecting Line Transformer Taps .....	9
4.4. Mounting and Setup .....	10
4.5. Connecting to Amplifier .....	12
4.5.1. Connecting to a 70/100 V Amplifier.....	13
4.5.2. Connecting to a Conventional Amplifier.....	14
<b>5. Troubleshooting.....</b>	<b>15</b>
<b>6. Maintenance .....</b>	<b>15</b>
6.1. Preventive Maintenance.....	15
6.1.1. Basic Cleaning Instructions.....	15
6.2. Corrective Maintenance.....	15
<b>7. Deinstallation, Transportation and Storage.....</b>	<b>16</b>
7.1. Instructions for Deinstallation .....	16
7.2. Instructions for Transportation .....	16
7.3. Storage.....	16
<b>8. Disposal.....</b>	<b>16</b>
<b>9. Approval .....</b>	<b>16</b>

## Preface

---

Thank you for purchasing this DAP product.

The purpose of this user manual is to provide instructions for the correct and safe use of this product.

Keep the user manual for future reference as it is an integral part of the product. The user manual shall be stored at an easily accessible location.

This user manual contains information concerning:

- Safety instructions
- Installation and operation of the device
- Intended and non-intended use of the device
- Maintenance procedures
- Troubleshooting
- Transport, storage and disposal of the device

Non-observance of the instructions in this user manual may result in serious injuries and damage of property.

©2023 DAP. All rights reserved.

No part of this document may be copied, published or otherwise reproduced without the prior written consent of Highlite International.

Design and product specifications are subject to change without prior notice.

For the latest version of this document or other language versions, please visit our website [www.highlite.com](http://www.highlite.com) or contact us at [service@highlite.com](mailto:service@highlite.com).

Highlite International and its authorized service providers are not liable for any injury, damage, direct or indirect loss, consequential or economic loss or any other loss arising from the use of, or inability to use or reliance on the information contained in this document.

## 1. Introduction

### 1.1. Before Using the Product



#### Important

Read and follow the instructions in this user manual before installing, operating or servicing this product.

The manufacturer will not accept liability for any resulting damages caused by the non-observance of this manual.

After unpacking, examine the contents of the box. If any parts are missing or damaged, contact your Highlite International dealer.

Your shipment includes:

- DAP DPS-640 6,5" 40 W Pendant Speaker
- Suspension cable (1 m)
- Suspension eyelet
- 2 x cable mounting screw
- Cable bracket
- User manual

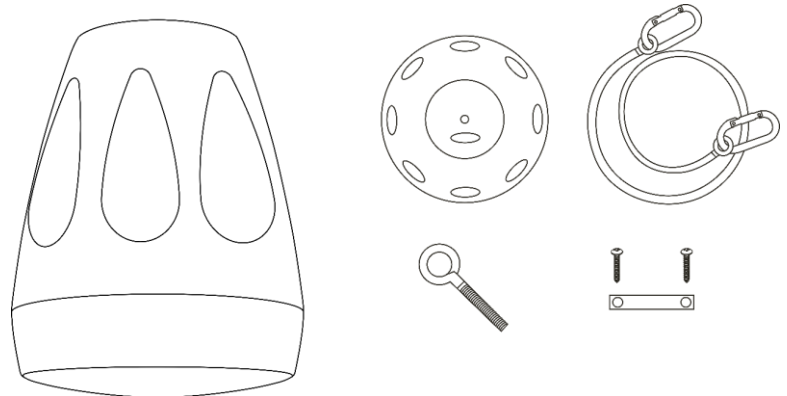


Fig. 01

### 1.2. Intended Use

This device is designed to be used as a conventional or a 70/100 V line pendant speaker. It can be used outdoors. This device is not suitable for households.

Any other use, not mentioned under intended use, is regarded as non-intended and incorrect use.

### 1.3. Text Conventions

Throughout the user manual the following text conventions are used:

- References: References to chapters and parts of the device are in bold lettering, for example: "Refer to **2. Safety**", "press the **power switch (03)**"
- 0–255: Defines a range of values
- Notes: **Note:** (in bold lettering) is followed by useful information or tips

### 1.4. Symbols and Signal Words

Safety notes and warnings are indicated throughout the user manual by safety signs.

Always follow the instructions provided in this user manual.



**DANGER**

Indicates an imminently hazardous situation which, if not avoided, will result in death or serious injury.



**WARNING**

Indicates an imminently hazardous situation which, if not avoided, could result in death or serious injury.



**CAUTION**

Indicates a potentially hazardous situation, which, if not avoided, may result in minor or moderate injury.



**Attention**

Indicates important information for the correct operation and use of the product.



**Important**

Read and observe the instructions in this document.



Provides important information about the disposal of this product.

### 1.5. Symbols on the Information Label

This product is provided with an information label. The information label is located on the bottom plate of the device.

The information label contains the following symbols:



This device shall not be treated as household waste.



Read and follow the instructions in the user manual before installing, operating or servicing the device.

## 2. Safety



### Important

**Read and follow the instructions in this user manual before installing, operating or servicing this product.**

The manufacturer will not accept liability for any resulting damages caused by the non-observance of this manual.

### 2.1. Warnings and Safety Instructions



### DANGER

**Danger for children**

For adult use only. The device must be installed beyond the reach of children.

- Do not leave various parts of the packaging (plastic bags, polystyrene foam, nails, etc.) within children's reach. Packaging material is a potential source of danger for children.



### Attention

**Speaker load**

- Make sure that the total wattage of all connected speakers does not exceed the rated wattage of the amplifier.
- Make sure that the speaker cable run is appropriate for the total speaker load.



### Attention

**General safety**

- Do not shake the device. Avoid brute force when installing or operating the device.
- If the device fails to work properly, discontinue the use immediately.



### Attention

**This device shall be used only for the purposes it is designed for.**

This device is designed to be used as a conventional or a 70/100 V line pendant speaker. Any incorrect use may lead to hazardous situations and result in injuries and material damage.

- This device is not suitable for households.
- This device does not contain user-serviceable parts. Unauthorized modifications to the device will render the warranty void. Such modifications may result in injuries and material damage.



**Attention**

**Do not expose the device to conditions that exceed the rated IP class conditions.**

This device is IP44 rated. IP (Ingress Protection) 44 class means that the device is protected against solid objects greater than 1,0 mm. Water splashed against the enclosure from any direction shall have no harmful effect.

## 2.2. Requirements for the User

This product may be used by ordinary persons. Maintenance may be carried out by ordinary persons. Service and installation shall be carried out only by instructed or skilled persons. Contact your Highlite International dealer for more information.

Instructed persons have been instructed and trained by a skilled person, or are supervised by a skilled person, for specific tasks and work activities associated with the installation, service and maintenance of this product, so that they can identify risks and take precautions to avoid them.

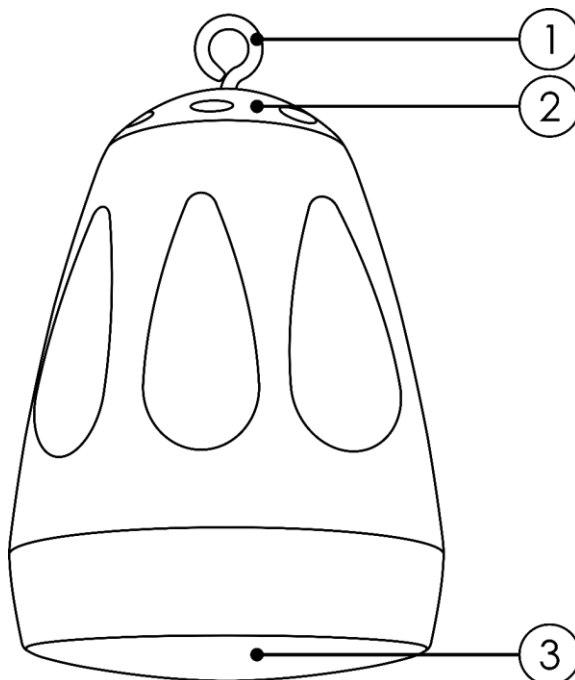
Skilled persons have training or experience, which enables them to recognize risks and to avoid hazards associated with the installation, service and maintenance of this product.

Ordinary persons are all persons other than instructed persons and skilled persons. Ordinary persons include not only users of the product but also any other persons that may have access to the device or who may be in the vicinity of the device.

### 3. Description of the Device

The DAP DPS-640 is an IP-rated 70/100 V line/conventional pendant speaker for low-impedance audio installations. The device can be used in humid environments as well as outdoors.

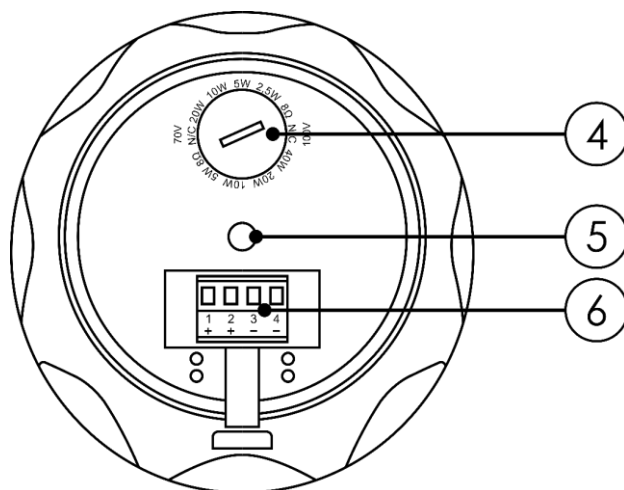
#### 3.1. Side View



- 01) Suspension eyelet
- 02) Speaker cover
- 03) Speaker grill

Fig. 02

#### 3.2. Top View



- 04) Line transformer tap selector
- 05) Suspension eyelet threaded opening
- 06) 4-pin terminal connector

Fig. 03



### 3.3. Product Specifications

Model:	DAP DPS-640 6,5" 40 W Pendant Speaker
<b>Physical:</b>	
Dimensions:	208 x 280 mm (W x H)
Weight:	5,6 kg
<b>Inputs:</b>	
Passive input connector:	4-pin terminal
Transformer:	70/100 V
Peak input power:	40 W
<b>Audio Specifications:</b>	
Speaker system:	2-way
Speaker sensitivity (1 W/1 m):	83 dB
Speaker impedance:	8 $\Omega$
Frequency response:	110–20000 Hz
Woofer diameter:	6,5"
Woofer voice coil:	1"
Line transformer taps:	@ 70 V: 2,5 W / 5 W / 10 W / 20 W @ 100 V: 5 W / 10 W / 20 W / 40 W 8 $\Omega$
<b>Construction:</b>	
Housing:	ABS
Color:	Black (D6615B), White (D6615W)
IP rating:	IP44
<b>Thermal:</b>	
Maximum ambient temperature $t_a$ :	45 °C
Minimum ambient temperature:	0 °C

### 3.4. Dimensions

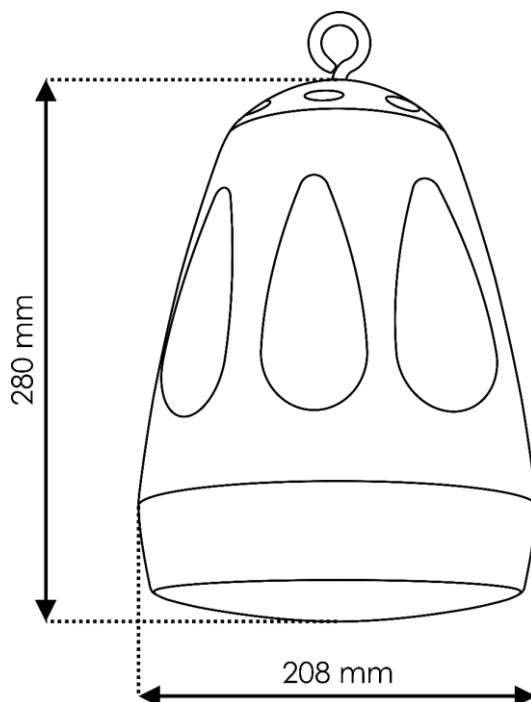


Fig. 04

## 4. Installation and Setup

### 4.1. Safety Instructions for Installation



**WARNING**

**Incorrect installation can cause serious injuries and damage of property.**

- Make sure that the ceiling or the overhead structure can hold the weight of the device.
- Make sure that the installation location on the ceiling is free of any obstructions and the speaker cables do not come in contact with other objects.

### 4.2. Installation Site Requirements

- The device can be installed on a ceiling or suspended on an overhead structure.
- The device can be installed indoors and outdoors. Make sure that the device is not exposed to conditions that exceed the rated IP class conditions.
- The device must be installed away from direct sunlight. Prolonged exposure to direct sunlight can cause discoloring of the enclosure.

### 4.3. Selecting Line Transformer Taps

The device has multiple selectable line transformer taps.

Turn the **line transformer tap selector (04)** to select a line transformer tap. The available line transformer taps are:

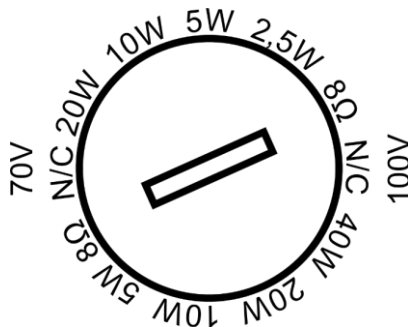


Fig. 05

**Note:**

The line transformer tap values depend on the type of amplifier connected to the PA system.

- For a 70 V amplifier, the line transformer taps are: 2,5 W / 5 W / 10 W / 20 W.
- For a 100 V amplifier, the line transformer taps are: 5 W / 10 W / 20 W / 40 W.
- For a conventional amplifier, use only the "8 Ω" line transformer tap.

The higher the wattage setting, the higher the volume level of the device.

#### 4.4. Mounting and Setup



**CAUTION**

Restrict the access under the work area during installation and/or deinstallation.

To install the device, follow the steps below:

01) Put the speaker cables through the opening in the **speaker cover (02)** (Fig. 06).

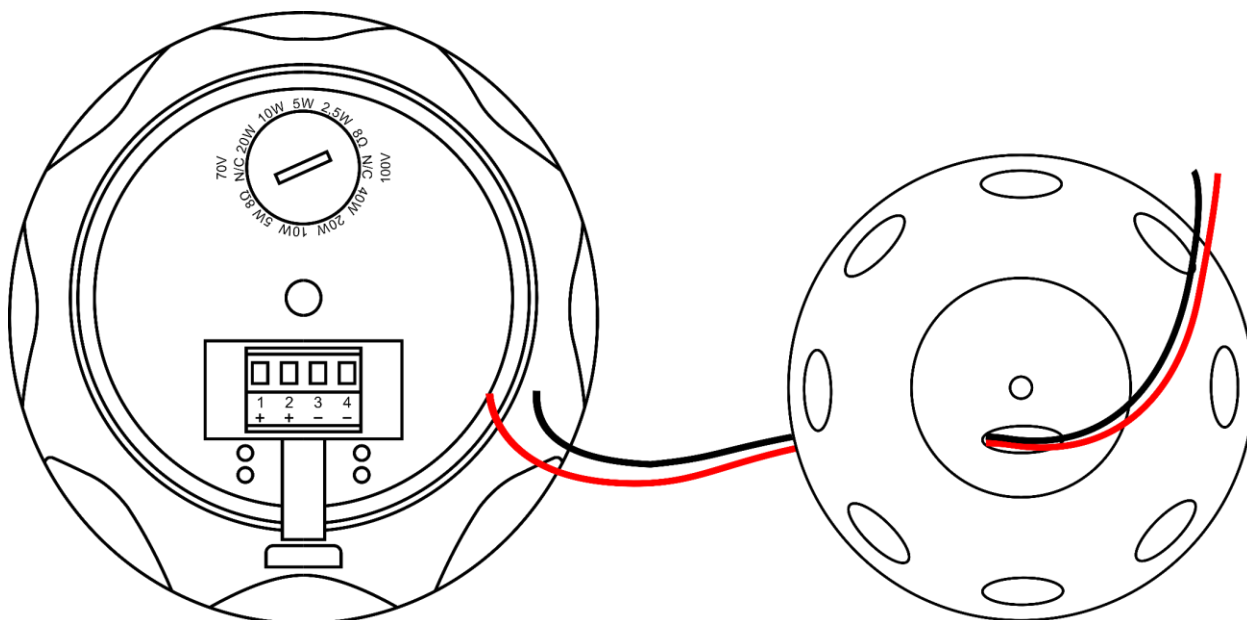


Fig. 06

02) Connect the speaker cables to the device (Fig. 07). See **4.5. Connecting to Amplifier** on pages 12–14 for more information.

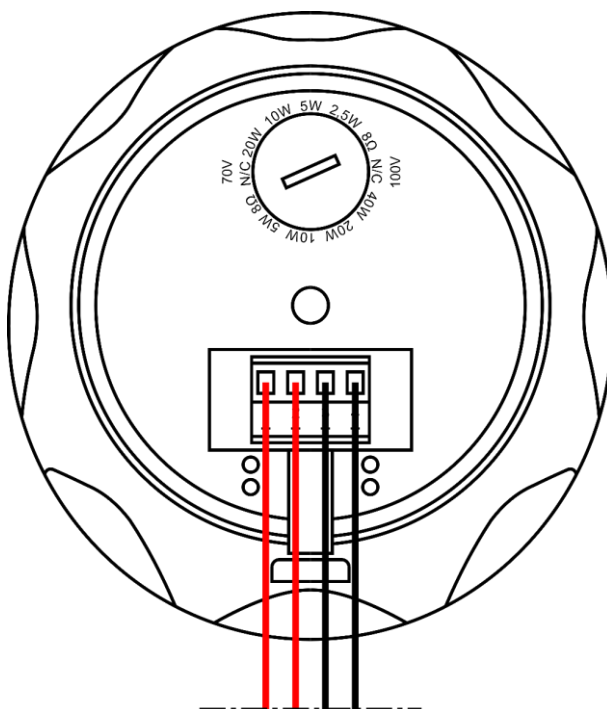


Fig. 07

03) Use the 2 supplied screws to attach the supplied cable bracket to the device. The cable bracket keeps the cables in place (Fig. 08).

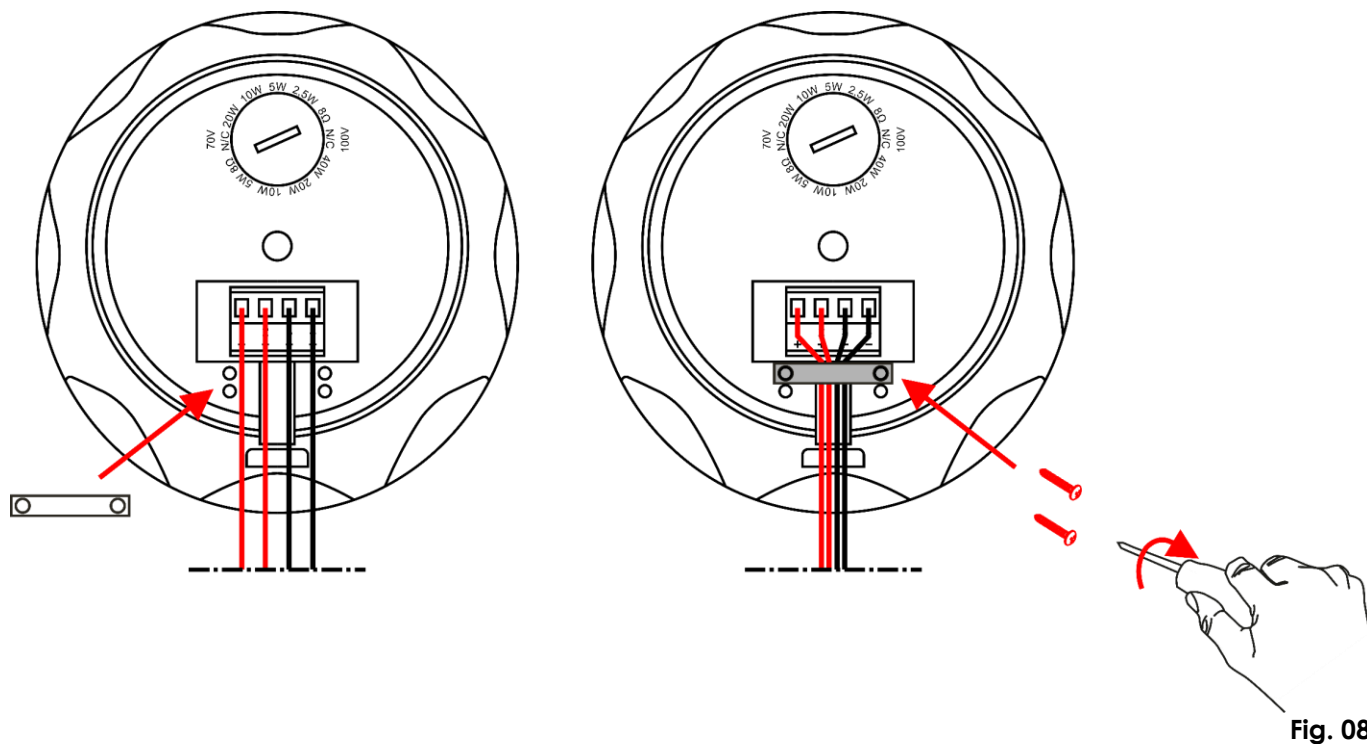


Fig. 08

04) Put the **speaker cover (02)** on the top of the device (Fig. 09).

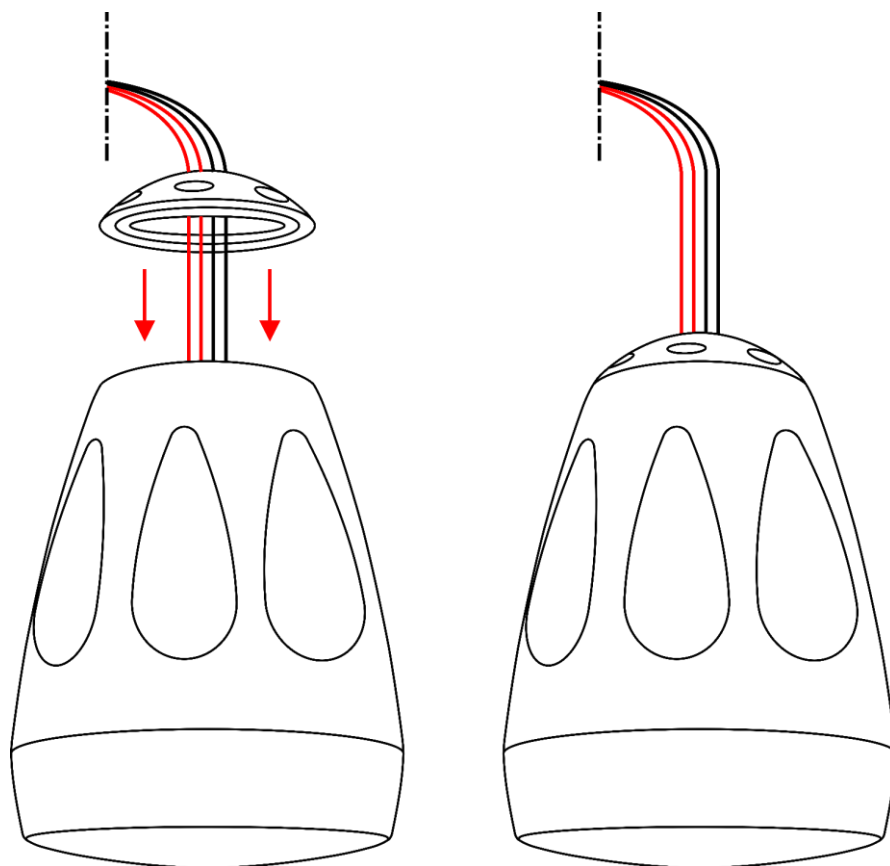


Fig. 09

- 05) Insert the **suspension eyelet (01)** into the **suspension eyelet threaded opening (05)** and tighten it (Fig. 10).

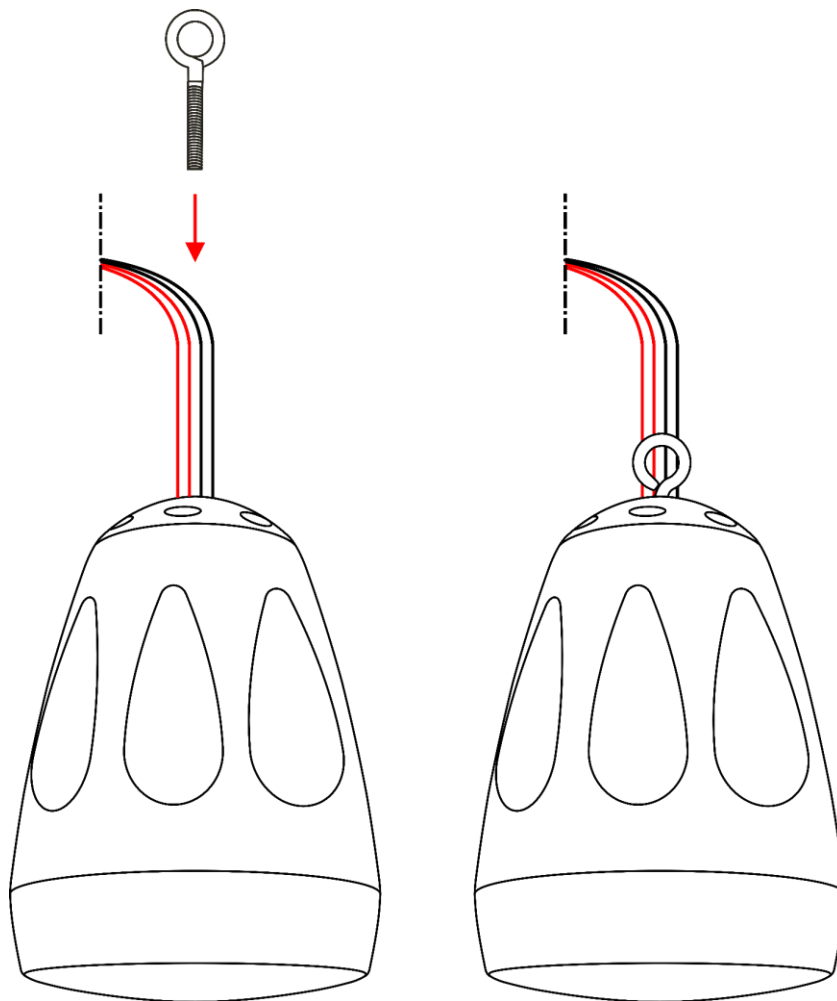


Fig. 10

- 06) Fasten the supplied suspension cable to the **suspension eyelet (01)**.

### 4.5. Connecting to Amplifier



#### Attention Speaker load

Before connecting the amplifier to the power supply, make sure that the total load of all connected speakers is below the maximum rating of the amplifier. If the total load is higher, it may cause damage to the amplifier and to the speakers.

The total load depends also on the current line transformer tap setting. See **4.3. Selecting Line Transformer Taps** on page 9 for more information.

To determine if the settings are correct:

- 01) Add up the wattage settings of all connected speakers.
- 02) Compare the value with the maximum rating of the amplifier. If necessary, disconnect speaker(s).

Connect the device to a 70/100 V amplifier or to a conventional amplifier. You can also connect multiple speakers to each other.

4.5.1. Connecting to a 70/100 V Amplifier

To use the device with a 70/100 V amplifier, follow the steps below:

- 01) Connect one of the (-) connectors on the **4-pin terminal connector (06)** of the first device to the COM output of the 70/100 V amplifier.
- 02) Connect one of the (+) connectors on the **4-pin terminal connector (06)** of the first device to the line transformer tap (70 V or 100 V) of the 70/100 V amplifier.
- 03) Connect the other (-) connector on the **4-pin terminal connector (06)** of the first device to one of the (-) connectors on the **4-pin terminal connector (06)** of the second device.
- 04) Connect the other (+) connector on the **4-pin terminal connector (06)** of the first device to one of the (+) connectors on the **4-pin terminal connector (06)** of the second device.
- 05) Repeat steps 3–4 to connect all devices in a daisy-chain as shown in Fig. 11.

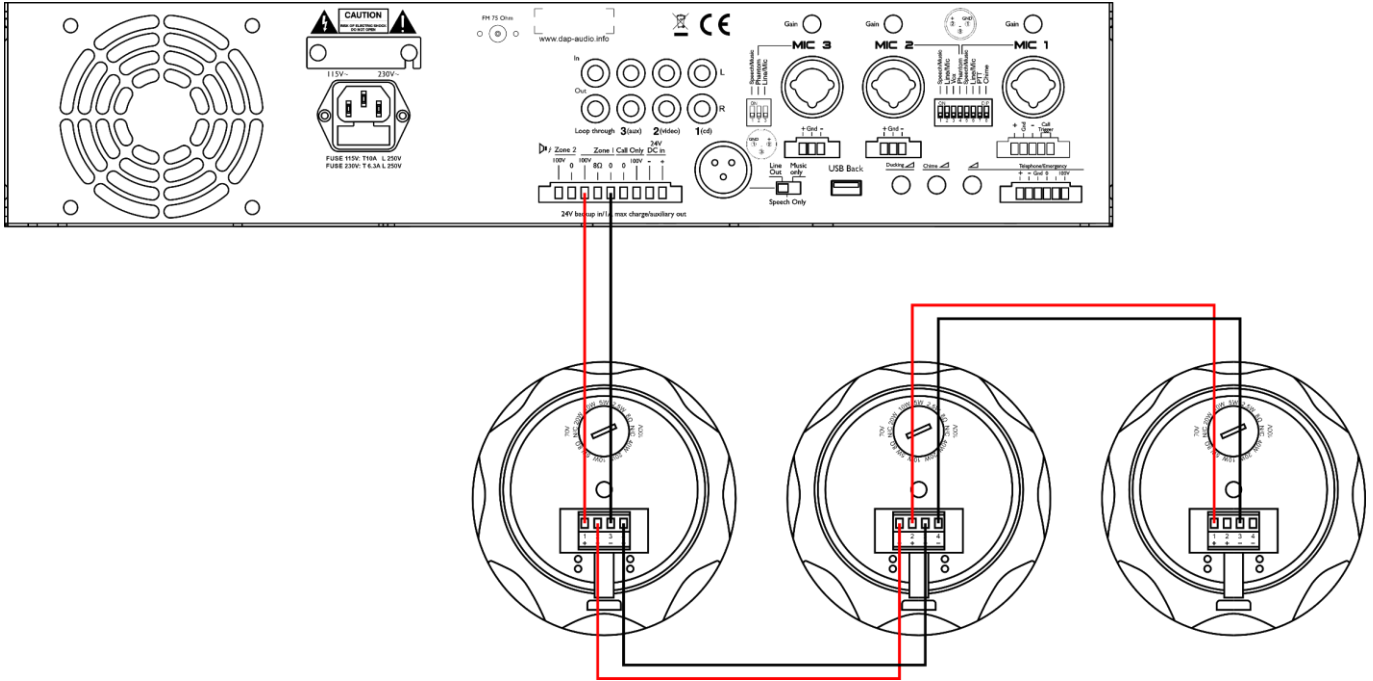


Fig. 11

### 4.5.2. Connecting to a Conventional Amplifier

To use the device with a conventional amplifier, follow the steps below:

- 01) Connect one of the (-) connectors on the **4-pin terminal connector (06)** of the first device to the (-) output of the conventional amplifier.
- 02) Connect one of the (+) connectors on the **4-pin terminal connector (06)** of the first device to the (+) output of the conventional amplifier.
- 03) Connect the other (-) connector on the **4-pin terminal connector (06)** of the first device to one of the (-) connectors on the **4-pin terminal connector (06)** of the second device.
- 04) Connect the other (+) connector on the **4-pin terminal connector (06)** of the first device to one of the (+) connectors on the **4-pin terminal connector (06)** of the second device.
- 05) Repeat steps 3–4 to connect all devices in a daisy-chain as shown in Fig. 12.

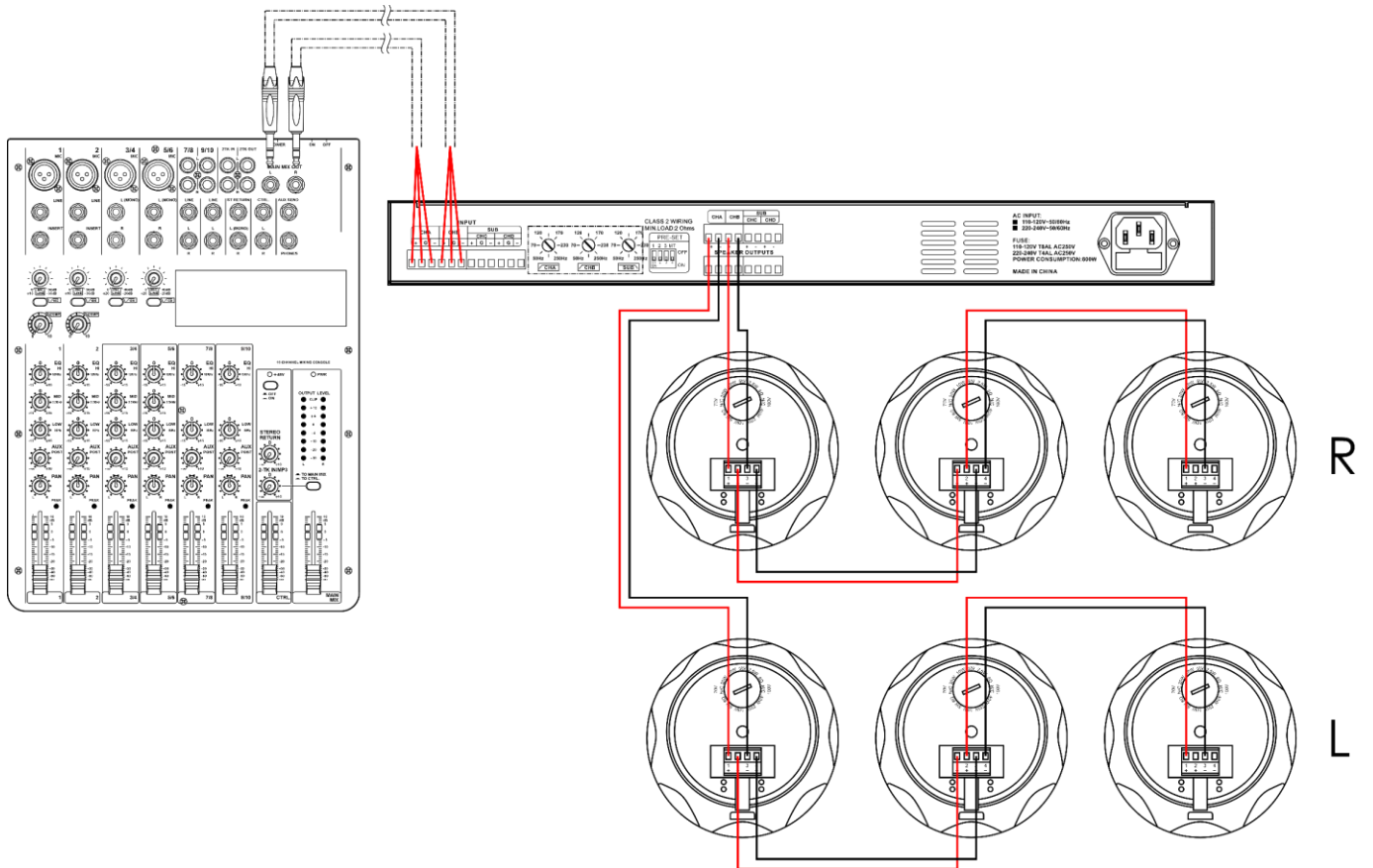


Fig. 12

## 5. Troubleshooting

This troubleshooting guide contains solutions to problems which can be carried out by an ordinary person. The device does not contain user-serviceable parts.

Unauthorized modifications to the device will render the warranty void. Such modifications may result in injuries and material damage.

Refer servicing to instructed or skilled persons. Contact your Highlite International dealer in case the solution is not described in the table.

Problem	Probable cause(s)	Solution
The device does not function at all	Bad connection	<ul style="list-style-type: none"> <li>Make sure that the connections between the devices are correct</li> </ul>
	No power to the amplifier	<ul style="list-style-type: none"> <li>Make sure that the amplifier is on</li> </ul>
	Incorrect settings	<ul style="list-style-type: none"> <li>Make sure that the correct line transformer taps are selected</li> <li>Examine if the amplifier is compatible with the device</li> </ul>
No sound	Incorrect polarity of the connections	<ul style="list-style-type: none"> <li>Examine if the polarity of the connections between the devices is correct</li> </ul>

## 6. Maintenance

### 6.1. Preventive Maintenance



**Attention**

**Before use, examine the device visually for any defects.**

Make sure that:

- There are no deformations on the housing.
- The device is rigidly mounted to the wall.

#### 6.1.1. Basic Cleaning Instructions

Clean the device with a soft, lint-free cloth.



**Attention**

- Do not immerse the device in liquid.
- Do not use alcohol or solvents.

### 6.2. Corrective Maintenance

The device does not contain user-serviceable parts. Do not open the device and do not modify the device.

Refer repairs and servicing to instructed or skilled persons. Contact your Highlite International dealer for more information.



## 7. Deinstallation, Transportation and Storage

---

### 7.1. Instructions for Deinstallation



**WARNING**

**Incorrect deinstallation can cause serious injuries and damage of property.**

- Disconnect power supply before deinstallation.
- Always observe the national and site-specific regulations during deinstallation of the device.
- Wear personal protective equipment in compliance with the national and site-specific regulations.

### 7.2. Instructions for Transportation

- Use the original packaging to transport the device, if possible.
- Always observe the handling instructions printed on the outer carton box, for example: "Handle with care", "This side up", "Fragile".

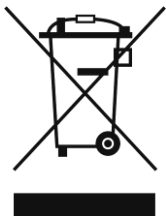
### 7.3. Storage

- Clean the device before storing. Follow the cleaning instructions in chapter **6.1.1. Basic Cleaning Instructions** on page 15.
- Store the device in the original packaging, if possible.

## 8. Disposal

---

### Correct disposal of this product



#### Waste Electrical and Electronic Equipment

This symbol on the product, its packaging or documents indicates that the product shall not be treated as household waste. Dispose of this product by handing it to the respective collection point for recycling of electrical and electronic equipment. This is to avoid environmental damage or personal injury due to uncontrolled waste disposal. For more detailed information about recycling of this product contact the local authorities or the authorized dealer.

## 9. Approval

---



Visit the respective product page on the website of Highlite International ([www.highlite.com](http://www.highlite.com)) for an available declaration of conformity.





---

DAP

©2023 DAP