



# WL183 WL184 WL185

## Lavalier Condenser Microphone

The Shure lavalier condenser microphones, WL183, WL184, and WL185, user guide.  
Version: 2.1 (2021-C)

---

# Table of Contents

<b>WL183 WL184 WL185 Lavalier Condenser Microphone</b>	<b>3</b>	<b>Changing Cartridges</b>	<b>4</b>
<b>General Description</b>	<b>3</b>	<b>Specifications</b>	<b>6</b>
Model Variations	3	<b>Replacement Parts</b>	<b>7</b>
<b>Installation</b>	<b>3</b>	<b>Certifications</b>	<b>7</b>

---

# WL183 WL184 WL185 Lavalier Condenser Microphone

---

## General Description



Models WL183, WL184 and WL185 are lavalier electret condenser microphones for use with a wireless bodypack transmitter. Each microphone has a 1.2 meter (4 ft.) cable terminated with a miniature 4-pin connector (TA4F). The furnished tie clip can be rotated in 90° intervals for placement flexibility.

## Model Variations

WL183 (Omnidirectional): General purpose sound reinforcement, recording, or remote monitoring applications. Low handling noise. Pickup angle is 360°. WL184 (Supercardioid): Sound reinforcement applications requiring high rejection of ambient noise and narrow pickup angle. Use of windscreen highly recommended. Pickup angle is 115°. WL185 (Cardioid): General purpose sound reinforcement applications requiring good rejection of ambient noise. Use of windscreen highly recommended. Pickup angle is 130°.

---

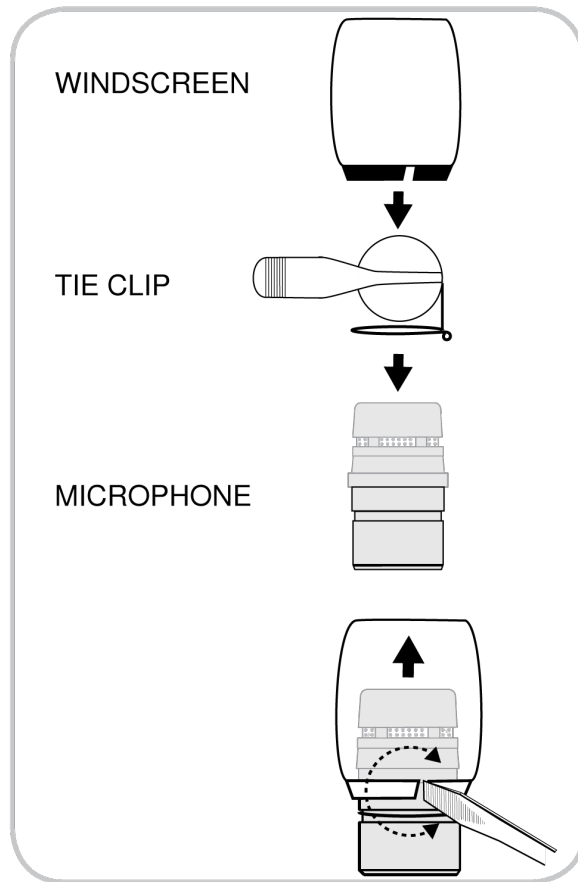
## Installation

1. Insert the top of the microphone through tie clip loop from below until tie clip loop snaps into place over the lower groove on the microphone. 2. To install the snap-fit windscreen, press it down on the microphone until it clicks into place inside the upper groove on the microphone. The snap-fit windscreen provides 30 dB of pop protection. 3. Attach the microphone approximately 76 mm to 152 mm (3 to 6 in.) below the neckline.

### Note

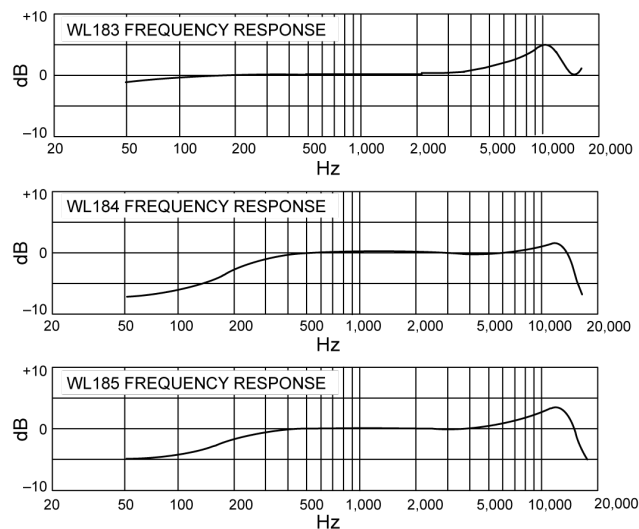
- The snap-fit windscreen can be removed by spreading the slot in the plastic snapfit ring.
- To install the smaller foam windscreen, slip the windscreen over the top of the microphone so that it covers the side slots. The foam windscreen provides 5 to 10 dB of pop protection

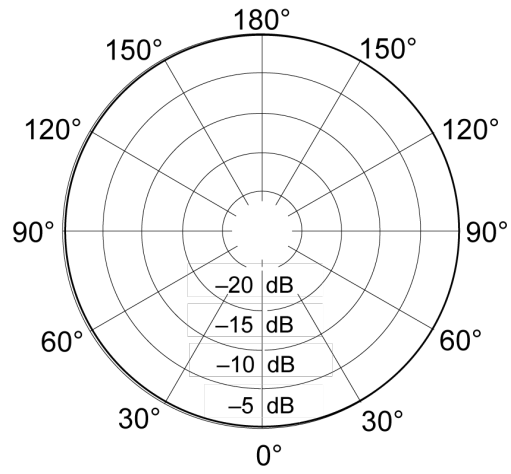
**NOTE:** Do not cover the microphone with your hand or clothing



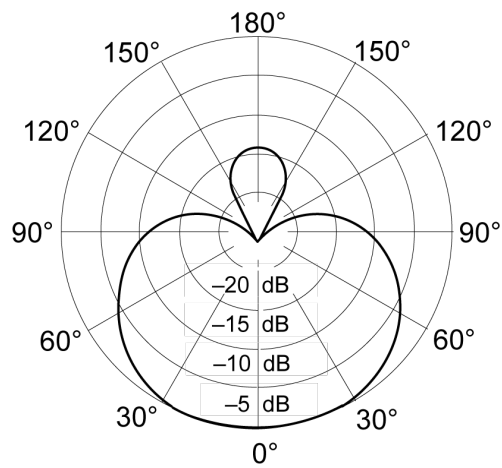
## Changing Cartridges

The WL183, WL184, and WL185 microphones use interchangeable cartridges. To change the cartridge, unscrew it from the microphone base and replace it with one of the replacement cartridges listed below.

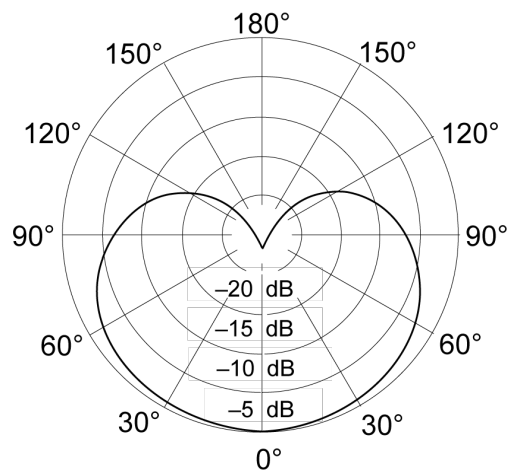




**OMNIDIRECTIONAL (WL183)**



**SUPERCARDIOID (WL184)**



CARDIOID (WL185)

## Specifications

### Type

Condenser (electret bias)

### Frequency Response

50 to 17,000 Hz

### Output Impedance

1800  $\Omega$

### Sensitivity [1]

<b>WL183</b>	-40.0 dBV/Pa
<b>WL184</b>	-44.5 dBV/Pa
<b>WL185</b>	-45.5 dBV/Pa

### Maximum SPL

<b>WL183</b>	125.0 dB SPL
<b>WL184</b>	129.5 dB SPL
<b>WL185</b>	130.5 dB SPL

### Self Noise (A-Weighted):

<b>WL183</b>	22.5 dB SPL
<b>WL184</b>	27.0 dB SPL
<b>WL185</b>	28.0 dB SPL

## Dynamic Range

102.5 dB

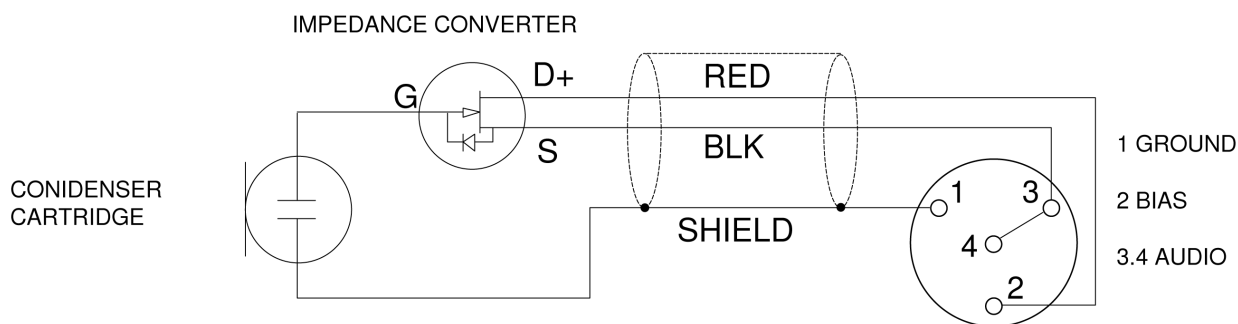
## Polarity

Positive pressure on diaphragm produces positive voltage on pin 3 with respect to pin 1

## Power Requirements

Regulated nominal +5 Vdc (1.5 Vdc to 10 Vdc) provided at microphone connector pin 2 relative to pin 1 of a Shure wireless microphone transmitter

<sup>[1][1]</sup> Pa = 94 dB SPL



MICROPHONE WIRING DIAGRAM

## Replacement Parts

<b>Black Omnidirectional Cartridge for all MX- (Microflex®) Models and WL183</b>	R183B
<b>Black Supercardioid Cartridge for all MX- (Microflex®) and WL183, WL184 and WL185 Models</b>	R184B
<b>Black Cardioid Cartridge for WL185 and all MX- (Microflex®) Models</b>	R185B
<b>Black Snap-Fit Foam Windscreens (4) for SM35, BETA98, BETA98A, BETA98/S, BETA98D/S, BETA98H/C, MX183, MX184, MX185, MX202, WH30, WL183, WL184 and WL185</b>	RK183WS
<b>Black Small Foam Windscreens (4) for MX183, MX184, MX185, SM84, WL84A, WL183, WL184 and WL185</b>	RK261BWS
<b>Single Mount Tie-Clips (2) for MX183, MX184 and MX185, WL183, WL184 and WL185</b>	RK183T1
<b>4-Pin Mini Connector (TA4F/TQG)</b>	WA330

# Certifications

This product meets the Essential Requirements of all relevant European directives and is eligible for CE marking.

The CE Declaration of Conformity can be obtained from: [www.shure.com/europe/compliance](http://www.shure.com/europe/compliance)

Authorized European representative:

Shure Europe GmbH

Headquarters Europe, Middle East & Africa

Department: EMEA Approval

Jakob-Dieffenbacher-Str. 12

75031 Eppingen, Germany

Phone: +49-7262-92 49 0

Fax: +49-7262-92 49 11 4

Email: [info@shure.de](mailto:info@shure.de)