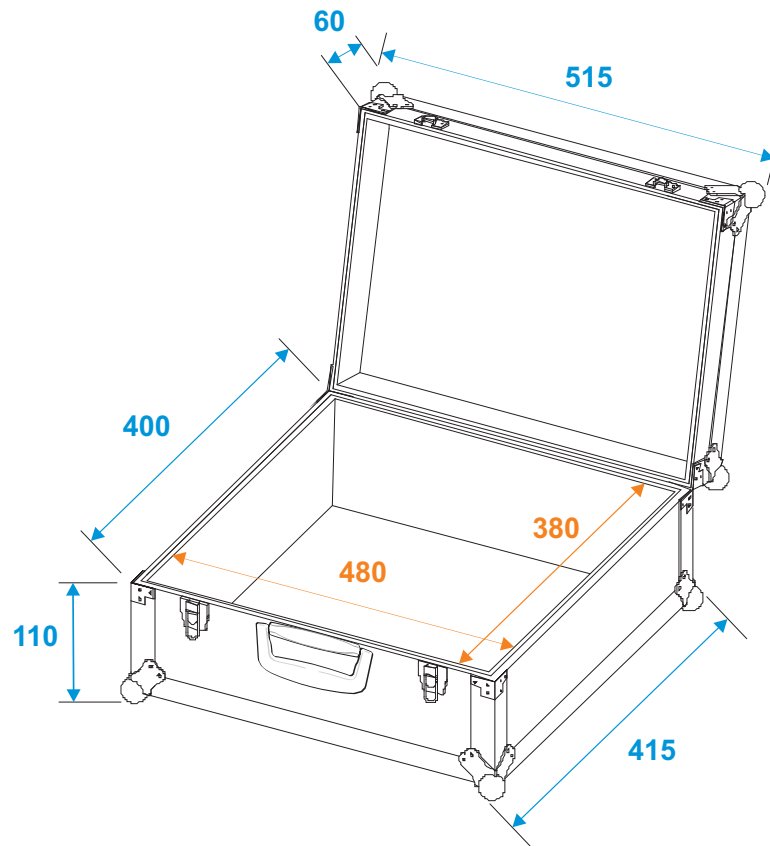




# Flightcase

**30126209** Universal case FOAM GR-1



\*all dimensions in millimeters

