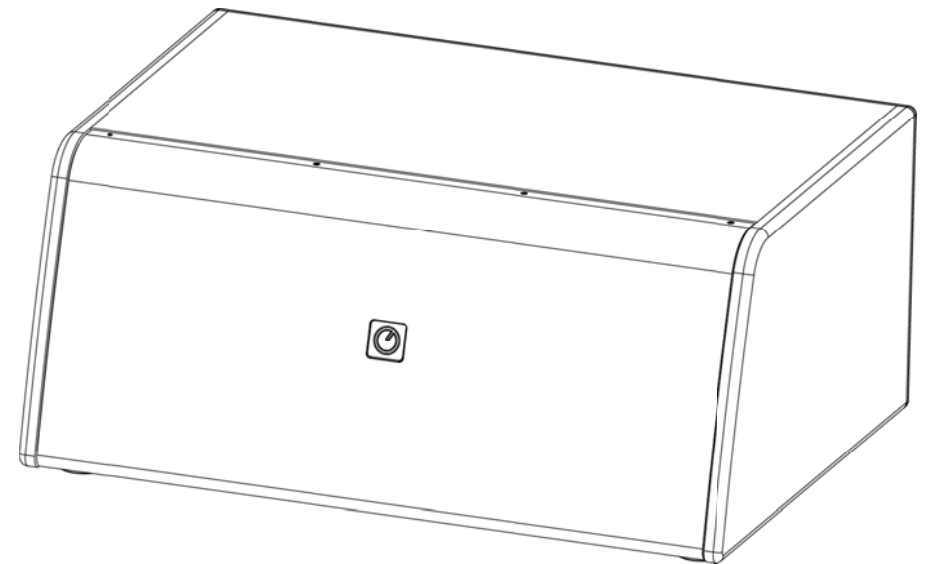


INTUSONIC



INTUCAB 8SM300T

Dual 8'' Passive Subwoofer

INTUSONIC

INTUSONIC is a brand of
Universal Technical Industries Co. Ltd.

Concept, Design & Distribution by

Adelto Industries Limited

Unit 4 Britannia Business Park
Comet Way, Southend-on-Sea
Essex SS2 6GE, United Kingdom
www.adelto.com / sales@adelto.com

Welcome

Thank you for choosing INTUSONIC for your sound system. To make sure that this product meets your expectations and provides long-term, reliable performance, please read and follow this instruction manual carefully.

Manual language

- UK** This user manual is written in English. For other languages, please use an auto-translation service of your choice.
- FR** Ce guide est écrit en anglais. Pour les autres langues, veuillez utiliser un service de traduction automatique de votre choix.
- DE** Diese Anleitung ist in Englisch verfasst. Für andere Sprachen verwenden Sie bitte einen automatischen Übersetzungsdienst Ihrer Wahl.
- ES** Este manual está escrito en Inglés. Para otros idiomas, utilice un servicio de traducción automática de su elección.
- PT** Este manual está escrito em Inglês. Para outros idiomas, use um serviço de tradução automática de sua escolha.
- IT** Questo manuale è scritto in inglese. Per altre lingue, utilizza un servizio di traduzione automatica a tua scelta.

Important safety instructions

- Read these instructions and all markings on the product. Keep these instructions.
- Heed all warnings and instructions, both in this manual and on the product.
- Clean only with a dry cloth. Unplug the unit or its power adaptor/charger from AC supply before cleaning.
- Do not use this product near water and avoid any exposure to water.
- Before connecting this product to any AC supply (if any), make sure to check whether the AC mains voltage and frequency match the indication on the product and its packaging.
- Only connect this product or its power adaptor/charger to an AC supply (if any) with sufficient power handling, protective earth connection, ground-fault (earth-fault) protection and overload protection.
- Disconnect the product or its power adaptor/charger from the AC supply (if any) during thunderstorms or longer periods of being unused.

EC Declaration of Conformity

The manufacturer

Adelto Industries, Unit 4 Britannia Business Park, Comet Way,
Southend-on-Sea, Essex, SS2 6GE, United Kingdom

Declares at his sole responsibility that the equipment

INTUSONIC 8SM300T

is in conformity with the following directives/standards/regulations:

EMC Directive 2014/30/EU

EN55035:2017

LVD Directive 2014/35/EU

EN62368-1

ROHS2 Directive 2011/65/EU & 2015/863/EU

EN63000:2018

And is marked as follows:



Southend-on-Sea, 19th March 2021

Authorized Signature

Technical Data

Frequency response (-6dB)45Hz-4kHz
Sensitivity (1W/1m)/Max SPL94dB / 100dB
Impedance2x8 Ω
Power handling2x150W (AES)
Drivers / Design2x8" woofer in dual vented case
Material15mm MDF/PLW
Surfacepaint
IP Rating20
Dimensions WxDxH610x450x270mm
Weight20.0 kg

Warranty

This product is guaranteed to be free of defects in material and workmanship at the time of purchase. Send-in warranty repair is granted for a period determined by

- A period of at least 6 months (from the date of purchase), or the minimum period required by law in the territory of sale, whichever is longer.
- A period of no longer (from the date of purchase) than the specified average lifetime of a component by the component's manufacturer.

- Make sure any heat sink or other cooling surface, or any air convection slot, is exposed sufficiently to free air circulation and is not blocked.
- Do not operate this product in environmental temperatures exceeding 35 degrees Celsius and/or 85% relative humidity.
- Position the product in a safe and stable place for operation, out of reach of unauthorized persons.
- Make sure any cable connections to and from the product are neither subject to potentially destructive mechanical impact nor present any risk of stumbling or other accident risk to people.
- Audio equipment may generate sound pressure levels sufficient to cause permanent hearing damage to persons. Always start up at low volume settings and avoid prolonged exposure to sound pressure levels exceeding 90dB.
- Do not open this product for service purposes. There are no user-serviceable parts inside.
- Warranty will be void in any case of unauthorized service by the user or other not authorized persons.
- Take any precaution required by local law, applicable regulations or good business practice to avoid injury of people or material damage by use of this product.

Symbols used in this manual



DANGER! Safety hazard. Risk of injury or death.



ATTENTION! Read manual before installation and operation.



WARNING! Hazardous voltage. Risk of severe or fatal electric shock.



WARNING! Fire hazard.

Health Advice

This unit may produce and absorb electromagnetic radiation. The strength of radiation and the sensitivity for disturbing interference matches the CE and FCC requirements. A corresponding sign is printed on the backside of the unit. Any change or modification may affect the behavior of the unit concerning electromagnetic radiation, with the CE and FCC requirements eventually not to be met any more. The manufacturer takes no responsibility in this case.

Functional Advice (only for powered products)

This unit is immune to the presence of electromagnetic disturbances – both conducted and radiated - up to a certain level. Under peak conditions, the unit is classified to show a “class C” performance criteria and may encounter temporary degradation or loss of function which may need manual help to recover. In such case, switch the unit off and back on to recover.

Environmental Advice

This unit is built to conform to the ROHS-2 standard according to directive 2011/65/EU and the WEEE directive 2012/19/EU of the European Parliament and of the Council of the European Union. Under these regulations, the product shall not be discarded into regular garbage at the end of its life, but shall be returned to authorized recycling stations.

Battery Advice (only for battery-powered products)

- Some products may contain a battery. Refer to the further chapters of this manual to determine whether this product contains a battery, and whether this is removable and/or rechargeable.
- Where applicable, adhere to the relative regulations in aviation transport.
- If the battery is rechargeable, the battery might not be fully charged or partly discharged at the time of purchase. Recharge before use. Only use recommended or included chargers with appropriate voltage/current rating.



WARNING! Fire hazard. Batteries might heat up during charging. Only charge in a place with sufficient air convection.

Wireless Advice

- Some products may contain a wireless transmitter, receiver or transceiver. Refer to the further chapters of this manual to determine whether this product contains a wireless function, and in which frequency this operates.
- Make sure the frequency of operation does not require a specific license in the territory you operate the product in. If it does, obtain such license prior to any operation.
- Certain wireless technologies are designed for short distance operation. The actual distance will depend on how jammed the

For floor-standing operation, place the speaker horizontally on its 4 rubber feet in a location where the grille is not prone to mechanical impacts. Do not operate the speaker in a vertical position without securing its position, as it may easily tumble and injure people.

For vertical operation, the 8SM300T comes with a set of two mounting rails, one for being attached to a wall (W) and one for being attached to the speaker (S). The speaker itself has a square mounting hole pattern on its bottom, with the 4 screw points filled with blind screws. The mounting rail can be attached to the speaker in any of the 4 possible positions, depending on whether the speaker is supposed to face downwards, upwards or to the left/right side.

To mount the rail (S) to the speaker, remove two of the blind screws as required, position the mounting rail and use the same screws to affix it.

To mount the rail (W) to the wall, use appropriate wall anchors and choose screws with heads that do not exceed the rail depth, as otherwise the speaker will not be able to lock into the rail.

Hang the speaker onto the wall rail, do not remove the feet of the speaker as they are required to keep the distance to the wall required by the rail's mounting depth.

Where required, you may consider secondary locking against anyone lifting the speaker and thus unhooking it from the rail.

It is suggested to

- Avoid positions that invite anyone to sit or stand on the mounted speaker.
- Avoid positions that make it easy to spill fluids on the grille surface
- Avoid positions that allow anyone to lift the speaker and unhook it from the rails.
- Make sure that any cables to the speaker are not a tripping hazard.

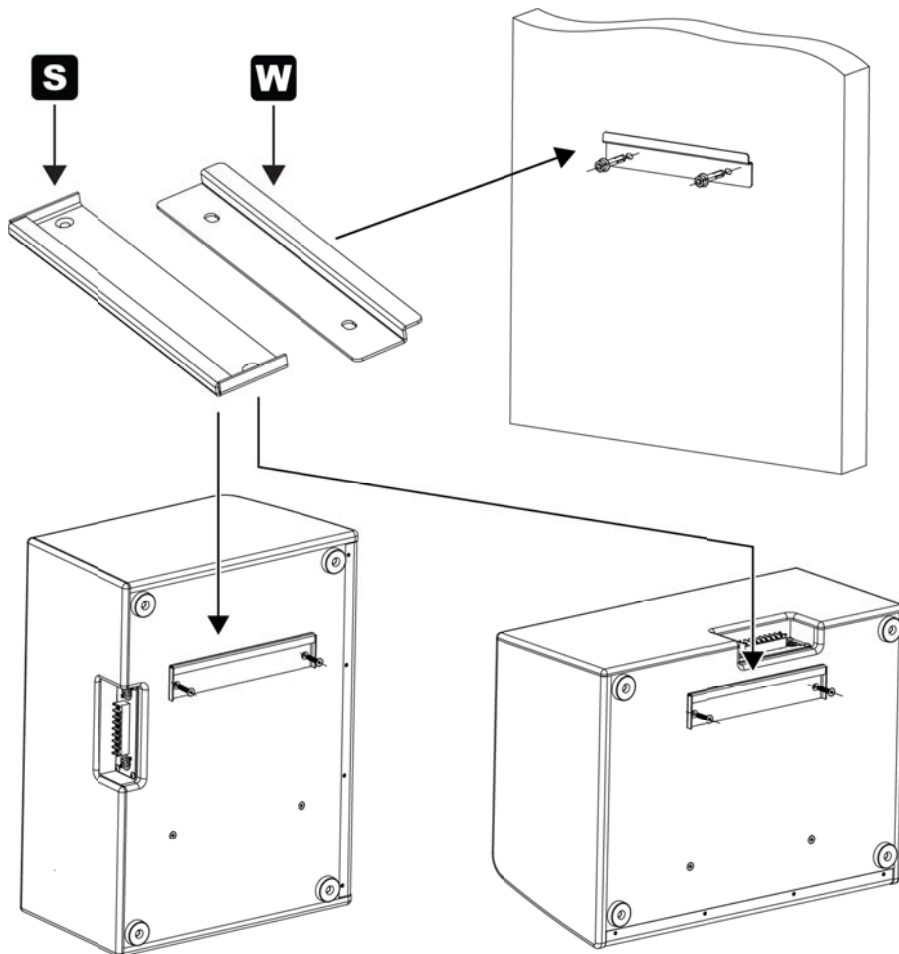


Danger - risk of injury: Hanging installation requires extensive experience, like calculating working load limits, knowledge of installation materials, and periodic safety inspection of all installation material and the hung product. If you lack such qualifications, do not attempt the installation yourself. Improper installation can result in injury of people.



Note: the 8SM300T does not contain any crossover network. For best results, the upper operating frequency of the 8SM300T must be limited, and a proper crossover frequency to the speakers used to cover the mid/high frequency area must be determined. Such low pass filter could be passive, but active bi-amped operation is recommended for best results.

Installation



frequency band is at the location of use. In adverse cases, operational distances might be as low as 5m. In normal circumstances, 10m can be assumed. Test the operational distance prior to relying on the wireless functionality in a specific application.

Unpacking

Please check that the box contains the following items:

- 1 pc. main unit
- 1 set wall mounting kit (2 rails)
- 1 pc. instruction manual

If any part is missing, please contact your dealer immediately for replacement.

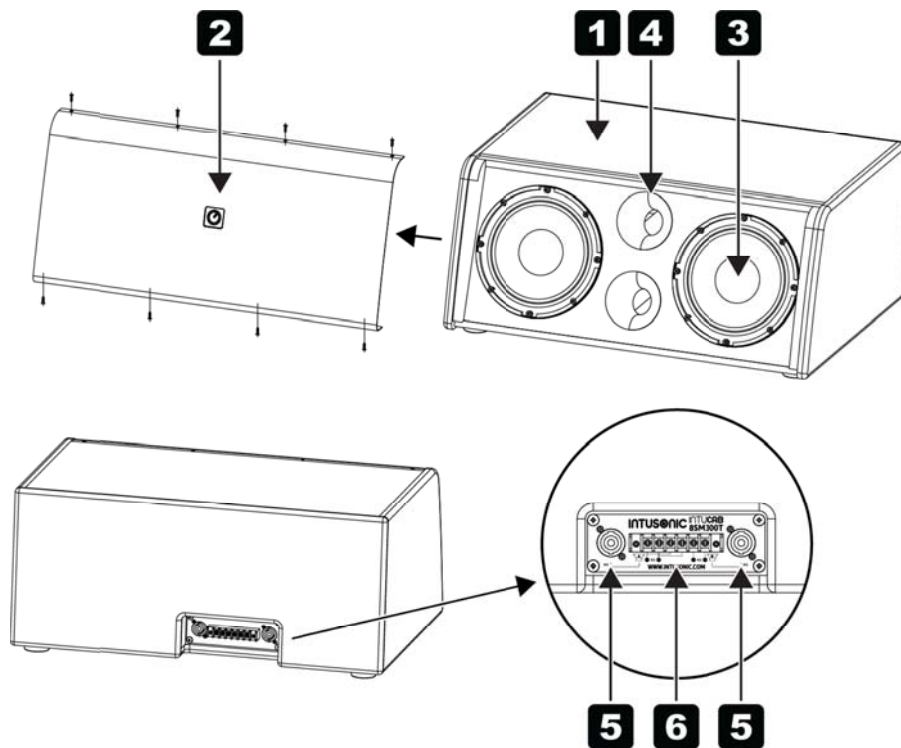
About this product

The 8SM300T is an ultra-compact passive subwoofer with low mechanical profile for unobtrusive mounting below objects or on walls. Its dual-chamber design and flexible wiring options allow it to act as two separate 8Ω subwoofers in one cabinet, or as one 4Ω mono subwoofer offering the benefit of increased SPL.

An included, extremely flexible mounting rail enables wall mounting in various directions.

The 8SM300T does not contain a crossover and requires an external crossover. For best performance, the use in bi-amplified systems with active crossovers is recommended.

Structural Design



- 1 Wooden Cabinet.** This is the main body of the speaker. Due to the wooden base material, this speaker is only suitable for indoor use.
- 2 Grille.** This metal mesh grille protects the drivers from mechanical impact and also from dust by the inner foam layer. Keep the grille mounted to protect the woofers.
- 3 Woofers.** These are 8" / 8 Ohm low frequency loudspeakers.
- 4 Bass reflex ports.** These are tube-shaped ports for coupling with the rear-side air volume. Neither the woofers (3) nor these ports shall be obstructed by any close by objects. Keep a distance of at least 1m for any objects in parallel to the baffle of the cabinet.
- 5 Speakon™-Compatible input connectors.** These are two connectors cabled in parallel.
- 6 Terminal Strip connector.** This is a 6-pin terminal strip connector. See section "cabling" for details.

Cabling

The 8SM300T allows separate access to each of its internal two woofers via both a Speakon™-compatible connector and also 2-pins each of the screw terminal strip. In addition, by shorting the remaining two pins on the screw terminal strip, the two woofers can be put into parallel mode.

! Danger: If the 8SM300T is configured for parallel operation of the two internal woofers, connect your amplifier **ONLY** to the input connection "A". Do not keep two separate amplification channels connected to both input connections "A" and "B" when the 8SM300T is wired for parallel operation. Your amplifier and the 8SM300T may be damaged when trying to do so.

For parallel wiring, wire bridges need to be affixed between the B- terminal and the middle parallel "-" terminal, and also between the B+ terminal and the middle parallel "+" terminal, as per following illustration:

