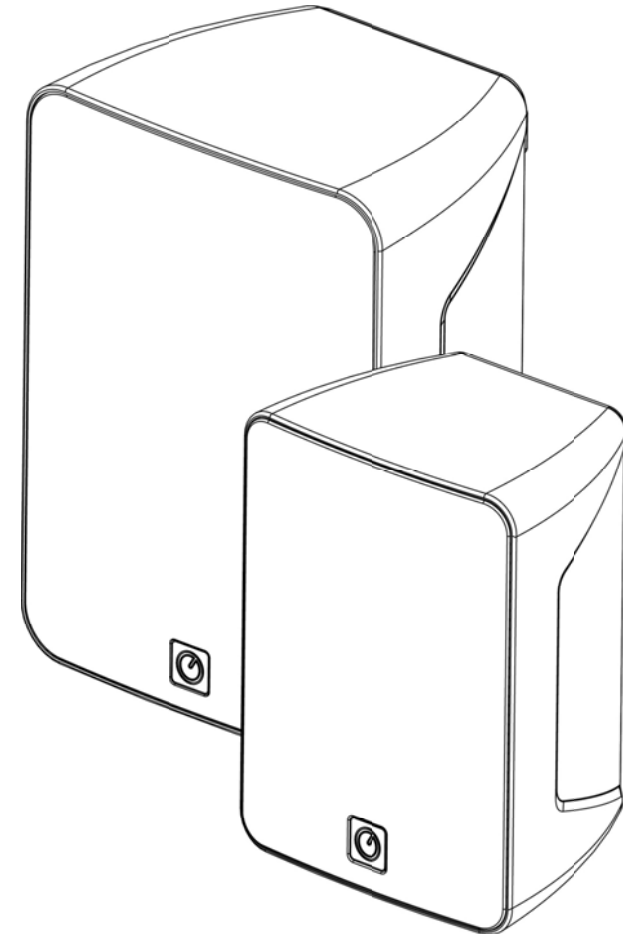


INTUSONIC



INTUSCAPE 4FP40R / 6FP80R

**4" / 6" Passive 2-Way Weatherproof
Background Music Speaker**

INTUSONIC

INTUSONIC is a brand of
Universal Technical Industries Co. Ltd.

Concept, Design & Distribution by

Adelto Industries Limited

Unit 4 Britannia Business Park
Comet Way, Southend-on-Sea
Essex SS2 6GE, United Kingdom
www.adelto.com / sales@adelto.com

Welcome

Thank you for choosing INTUSONIC for your sound system. To make sure that this product meets your expectations and provides long-term, reliable performance, please read and follow this instruction manual carefully.

Manual language

- UK** This user manual is written in English. For other languages, please use an auto-translation service of your choice.
- FR** Ce guide est écrit en anglais. Pour les autres langues, veuillez utiliser un service de traduction automatique de votre choix.
- DE** Diese Anleitung ist in Englisch verfasst. Für andere Sprachen verwenden Sie bitte einen automatischen Übersetzungsdienst Ihrer Wahl.
- ES** Este manual está escrito en Inglés. Para otros idiomas, utilice un servicio de traducción automática de su elección.
- PT** Este manual está escrito em Inglês. Para outros idiomas, use um serviço de tradução automática de sua escolha.
- IT** Questo manuale è scritto in inglese. Per altre lingue, utilizza un servizio di traduzione automatica a tua scelta.

Important safety instructions

- Read these instructions and all markings on the product. Keep these instructions.
- Heed all warnings and instructions, both in this manual and on the product.
- Clean only with a dry cloth. Unplug the unit or its power adaptor/charger from AC supply before cleaning.
- Do not use this product near water and avoid any exposure to water.
- Before connecting this product to any AC supply (if any), make sure to check whether the AC mains voltage and frequency match the indication on the product and its packaging.
- Only connect this product or its power adaptor/charger to an AC supply (if any) with sufficient power handling, protective earth connection, ground-fault (earth-fault) protection and overload protection.
- Disconnect the product or its power adaptor/charger from the AC supply (if any) during thunderstorms or longer periods of being unused.

EC Declaration of Conformity

The manufacturer

Adelto Industries, Unit 4 Britannia Business Park, Comet Way,
Southend-on-Sea, Essex, SS2 6GE, United Kingdom

Declares at his sole responsibility that the equipment

INTUSONIC 4FP40R INTUSONIC 6FP80R

is in conformity with the following directives/standards/regulations:

EMC Directive 2014/30/EU

EN55035:2017

LVD Directive 2014/35/EU

EN62368-1

ROHS2 Directive 2011/65/EU & 2015/863/EU

EN63000:2018

And is marked as follows:



Southend-on-Sea, 19th March 2021

Authorized Signature

UK Declaration of Conformity

The manufacturer

Adelto Industries, Unit 4 Britannia Business Park, Comet Way,
Southend-on-Sea, Essex, SS2 6GE, United Kingdom

Declares at his sole responsibility that the equipment

INTUSONIC 4FP40R INTUSONIC 6FP80R

is in conformity with the relevant legislation of the United Kingdom as listed below, with the following applicable standards:

UK SI 2016 No. 1091 Electromagnetic Compatibility Regulations 2016:
BS EN IEC 55035:2017

UK SI 2016 No. 1101 The Electrical Equipment (Safety) Regulations 2016:
BS EN IEC 62368-1

UK SI 2012 No. 3032 Restriction of the Use of Certain Hazardous Substances in Electrical and Electronic Equipment Regulations 2012 (RoHS2)
BS EN IEC 63000:2018

And is marked as follows:

**UK
CA**

Southend-on-Sea, 19th March 2021



Authorized Signature

- Make sure any heat sink or other cooling surface, or any air convection slot, is exposed sufficiently to free air circulation and is not blocked.
- Do not operate this product in environmental temperatures exceeding 35 degrees Celsius and/or 85% relative humidity.
- Position the product in a safe and stable place for operation, out of reach of unauthorized persons.
- Make sure any cable connections to and from the product are neither subject to potentially destructive mechanical impact nor present any risk of stumbling or other accident risk to people.
- Audio equipment may generate sound pressure levels sufficient to cause permanent hearing damage to persons. Always start up at low volume settings and avoid prolonged exposure to sound pressure levels exceeding 90dB.
- Do not open this product for service purposes. There are no user-serviceable parts inside.
- Warranty will be void in any case of unauthorized service by the user or other not authorized persons.
- Take any precaution required by local law, applicable regulations or good business practice to avoid injury of people or material damage by use of this product.

■ Symbols used in this manual



DANGER! Safety hazard. Risk of injury or death.



ATTENTION! Read manual before installation and operation.



WARNING! Hazardous voltage. Risk of severe or fatal electric shock.



WARNING! Fire hazard.

■ Health Advice

This unit may produce and absorb electromagnetic radiation. The strength of radiation and the sensitivity for disturbing interference matches the CE and FCC requirements. A corresponding sign is printed on the backside of the unit. Any change or modification may affect the behavior of the unit concerning electromagnetic radiation, with the CE and FCC requirements eventually not to be met any more. The manufacturer takes no responsibility in this case.

Functional Advice (only for powered products)

This unit is immune to the presence of electromagnetic disturbances – both conducted and radiated - up to a certain level. Under peak conditions, the unit is classified to show a “class C” performance criteria and may encounter temporary degradation or loss of function which may need manual help to recover. In such case, switch the unit off and back on to recover.

Environmental Advice

This unit is built to conform to the ROHS-2 standard according to directive 2011/65/EU and the WEEE directive 2012/19/EU of the European Parliament and of the Council of the European Union. Under these regulations, the product shall not be discarded into regular garbage at the end of its life, but shall be returned to authorized recycling stations.

Battery Advice (only for battery-powered products)

- Some products may contain a battery. Refer to the further chapters of this manual to determine whether this product contains a battery, and whether this is removable and/or rechargeable.
- Where applicable, adhere to the relative regulations in aviation transport.
- If the battery is rechargeable, the battery might not be fully charged or partly discharged at the time of purchase. Recharge before use. Only use recommended or included chargers with appropriate voltage/current rating.



WARNING! Fire hazard. Batteries might heat up during charging. Only charge in a place with sufficient air convection.

Wireless Advice

- Some products may contain a wireless transmitter, receiver or transceiver. Refer to the further chapters of this manual to determine whether this product contains a wireless function, and in which frequency this operates.
- Make sure the frequency of operation does not require a specific license in the territory you operate the product in. If it does, obtain such license prior to any operation.
- Certain wireless technologies are designed for short distance operation. The actual distance will depend on how jammed the

Technical Data

4FP40R

Frequency response (-6dB)80Hz-15kHz
Sensitivity (1W/1m)/Max SPL84dB / 100dB
Impedance8 Ω
Power handling40W (AES)
Drivers / Design4" low/mid (vented) & 1" SDT
MaterialABS
Surfacetexture
IP Rating33
Dimensions WxDxH153x120x217mm
Weight2.18 kg

6FP80R

Frequency response (-6dB)65Hz-20kHz
Sensitivity (1W/1m)/Max SPL84dB / 104dB
Impedance8 Ω
Power handling80W (AES)
Drivers / Design6" low/mid (vented) & 1" SDT
MaterialABS
Surfacetexture
IP Rating33
Dimensions WxDxH200x156x285mm
Weight3.39 kg

Warranty

This product is guaranteed to be free of defects in material and workmanship at the time of purchase. Send-in warranty repair is granted for a period determined by

- A period of at least 6 months (from the date of purchase), or the minimum period required by law in the territory of sale, whichever is longer.
- A period of no longer (from the date of purchase) than the specified average lifetime of a component by the component's manufacturer.

frequency band is at the location of use. In adverse cases, operational distances might be as low as 5m. In normal circumstances, 10m can be assumed. Test the operational distance prior to relying on the wireless functionality in a specific application.

Unpacking

Please check that the box contains the following items:

- 1 pc. main unit
- 1 pc. bracket assembly set
- 1 pc. plug-in terminal block 4-pole P=5.08mm
- 1 pc. connection cover
- 1 pc. connection cover gasket (self-adhesive)
- 1 pc. PG7 cable gland
- 1 pc. instruction manual

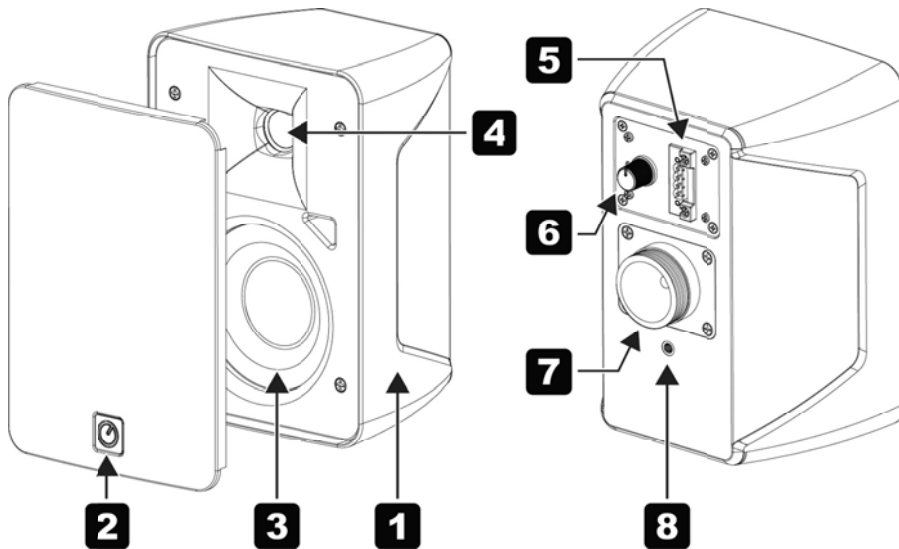
If any part is missing, please contact your dealer immediately for replacement.

About this product




The 4FP40R and 6FP80R are weather-resistant 2-way background music speakers for commercial applications. Their sleek appearance allows aesthetically pleasing integration with almost any environment. The vented design and oversized woofer magnets provide extended low frequency response, and the passive crossover provides a flat response with great intelligibility. By purpose of their design, they are a great choice for upmarket background music installations for low-to-medium volume environments.

An in-built line transformer leaves the choice of operation between low-impedance and 70/100V line systems.

Structural Design



- 1 Resin Cabinet.** This is the main body of the speaker. Due to the resin base material, this speaker is suitable for indoor and outdoor use (see “outdoor use” chapter).
- 2 Grille.** This weather-resistant aluminum metal mesh grille protects the drivers from mechanical impact.
- 3 Woofer.** Reproduces low and mid-range frequencies.
- 4 Tweeter.** Reproduces high frequencies.
- 5 Terminal Strip connector.** This is a 4-pin terminal strip connector allowing to establish a screw/plug connection via the included connector. Be aware that this is a 5.08mm pin distance connector, do not use 5mm plugs.
- 6 Load selector switch.** This rotary switch allows to set the speaker to either low impedance (8Ω) or to 100V line mode with different power taps. See chapter “wiring”.
- 7 Bracket mounting point.** This is a ball head mounting cavity for the included bracket assembly. See chapter “Installation”.
- 8 M6 security lug mounting point.** This thread insert provides a mounting point for a secondary safety attachment.

-  **DANGER** - Do not make connections while speaker cables are connected to an amplifier on the other side and the amplifier is switched on. To avoid any damage of the connected amplifier, do only connect the speakers once you have verified with an impedance meter that the impedance and loading of the installation suits the amplifier in use.
-  **DANGER** - Risk of electric shock. Audio power amplifiers can generate output voltages in excess of the limits considered harmless to the human body. Initial cabling or any modification of cabling shall only be expedited with all amplifiers switched off.
-  **DANGER** - Risk of fire. Audio power amplifiers may not be secured against output short circuits and may be damaged if such short circuit occurs, with such damage potentially leading to a fire hazard. Any cabling activity bears the danger of unwanted, temporary short circuits. Initial cabling or any modification of cabling shall only be expedited with all amplifiers switched off.

Outdoor use

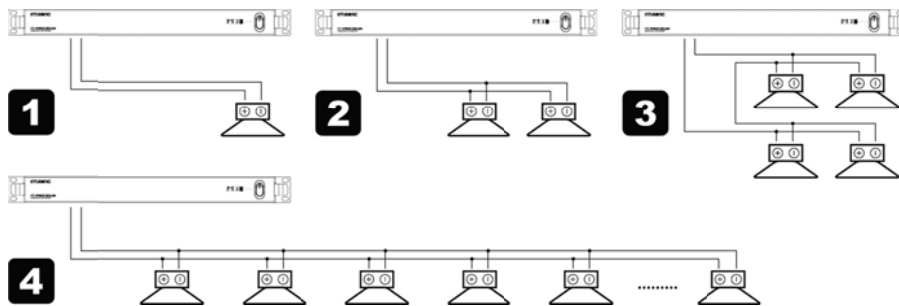
The 4FP40R and 6FP80R are designed for outdoor use under a number of limitations:

- The outdoor cable cover must be fitted as per chapter “wiring”, and the gasket must be applied correctly to avoid and water ingress.
- The grille must be mounted.
- The speaker needs to point slightly downwards. This is mainly due to its vented design for extended audio bandwidth, which however leaves the ports open for potential ingress of fluids applied in a perpendicular stream.
- Water spraying shall occur only from up to 60° from vertical, solid drops shall only occur 15° from vertical.
- The operational temperature shall not exceed 45 degrees Celsius. This means that specifically for black color variants, exposure to direct sunlight shall be avoided.

This product is rated IP33 and shall be operated outdoors only in compliance with this rating.

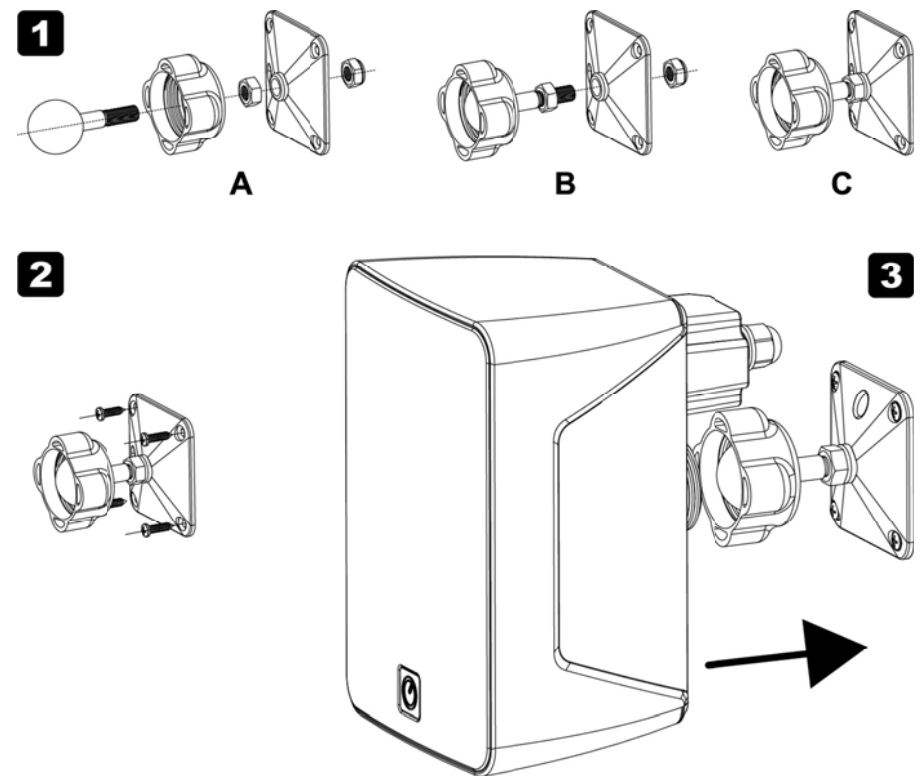
- 1 Cover Assembly.** Apply the self-adhesive gasket to the cover. Choose the straight (A) or angled (B) gland position by breaking out the required aperture in the cover. Assemble the gland over the cable (PG7 gland size, max cable diameter 8mm) and mount the gland loosely in the cover. Make sure that the cable's outer sleeve ends at the gland's inner edge, so that the single wires have enough space to move inside the cover. Cut the single wires to the minimum needed to manually insert the connector. Mount the terminal strip connector to the wire ends, and tighten the cable gland at the final cable position.
- 2 Cover placement.** Place the gasket on the speaker's rear panel and insert the terminal connector. Check once more whether the load selector switch is set correctly, arrange the wires in a non-impeding manner to the cover's final position.
- 3 Cover closure. Place the cover in final position and fix the screws.** Note: the cover is made from plastic - excessive fixing force might generate cracks. To hold up with specified IP rating, any cracked cover **MUST** be replaced.

System wiring schemes. Depending on the architectural layout and the abilities of the chosen amplifier, any of the following system wiring schemes may be chosen:



- 1 LoZ Installation: Single speaker** per amplifier channel. Total load is 8 Ohms. Set load selector switch to "8Ω" position.
- 2 LoZ Installation: Two parallel speakers** per amplifier channel. Total load is 4 Ohms. Set load selector switch to "8Ω" position.
- 3 LoZ Installation: 4 Speakers in parallel-serial configuration.** Total load is 8 Ohms. Set load selector switch to "8Ω" position.
- 4 HiZ Installation.** All speakers connected in parallel to a 70V/100V line. Set load selector switch to the required power tap for target volume.

Installation



- 1 Bracket Assembly.** Assemble the ball head bolt, the two nuts, the wall mounting plate and the gland nut in the sequence A-B-C as shown. All parts are provided with the product.
- 2 Wall attachment.** Mount the bracket assembly with 4 suitable screws to the wall. Screws and wall anchors are not provided and need to be chosen suitably to match the wall material and carry the weight of the speaker. Note: the wall holder base plate is made from plastic - excessive fixing force might generate cracks. Such cracked base plate **MUST NOT** be used and **MUST** be replaced.
- 3 Speaker placement.** Place the ball head mounting cavity of the main speaker body over the ball head bolt of the wall-mounted bracket assembly and fix the gland nut slightly. Choose vertical and horizontal angles to direct the speaker as desired and fix gland nut tightly. For convenience, wiring may need to be concluded before placement.

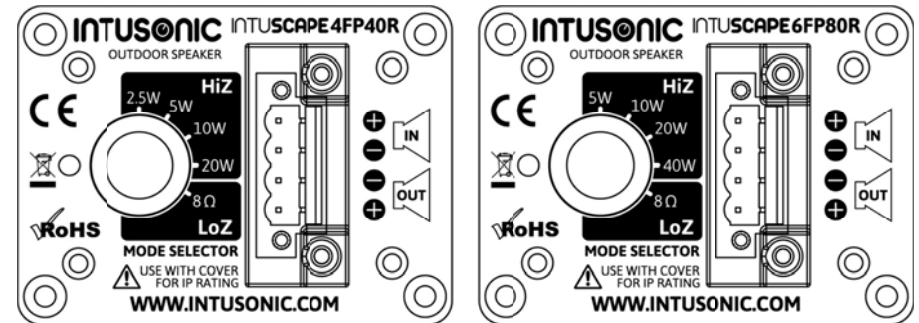
! Danger - risk of injury: Flown (hanging) or wall-mounted installation requires extensive experience, like calculating working load limits, knowledge of installation materials, and periodic safety inspection of all installation material and the flown product. If you lack such qualifications, do not attempt the installation yourself. Improper installation can result in injury of people.

Make sure to adhere to following rules:

- The product shall be installed out of reach of people and outside of areas where persons may walk by or be seated.
- The installation area shall be able to hold a minimum point load of 10 times the product's weight.
- The installation material (wall anchors etc.) need to consider the wall/ceiling material and the speaker weight.
- The installation is secured with an appropriate safety cable where necessary or required by law. The installer and user are obliged to survey applicable local safety regulations prior to installation and operation. Always use a certified safety cable according to DIN56927 that can hold 12 times the weight of the device when installing the unit. This secondary safety attachment should be installed in a way that no part of the installation can drop more than 20cm if the main attachment fails.
- The installation place is free from unwanted persons during installation, de-installation or servicing.
- The safety-relating and machine-technical installations are approved by an expert before using them for the first time.
- The cooling requirements are met (if any). Note that warm air is ascending, making the area below a rooms' ceiling potentially warmer than lower locations.

Wiring

The 4FP40R and 6FP80R are fitted with an internal line transformer for optional 70/100V line operation. The transformer offers access to different power taps or can be bypassed for low-impedance operation. This is determined by the relative position of the load selector switch in the back panel. Turn the switch to the required position.



For indoor wiring: connect the terminal plug as shown. For outdoor wiring:

