



ENGLISH

VT201 - 4K-HDMI / USB KVM Extender Set (TX/RX) V1

Product code: 101241

Preface

Thank you for purchasing this DMT product.

The purpose of this user manual is to provide instructions for the correct and safe use of this product.

Keep the user manual for future reference as it is an integral part of the product. The user manual shall be stored at an easily accessible location.

This user manual contains information concerning:

- Safety instructions
- Installation and operation of the device
- Intended and non-intended use of the device
- Maintenance procedures
- Troubleshooting
- Transport, storage and disposal of the device

Non-observance of the instructions in this user manual may result in serious injuries and damage of property.

©2022 DMT. All rights reserved.

No part of this document may be copied, published or otherwise reproduced without the prior written consent of Highlite International.

Design and product specifications are subject to change without prior notice.

For the latest version of this document or other language versions, please visit our website www.highlite.com or contact us at service@highlite.com.

Highlite International and its authorized service providers are not liable for any injury, damage, direct or indirect loss, consequential or economic loss or any other loss arising from the use of, or inability to use or reliance on the information contained in this document.

Table of contents

1. Introduction	3
1.1. Before Using the Product	3
1.2. Intended Use	3
1.3. Product Lifespan.....	4
1.4. Text Conventions	4
1.5. Symbols and Signal Words.....	4
1.6. Symbols on the Information Label	4
2. Safety	5
2.1. Warnings and Safety Instructions	5
2.2. Requirements for the User.....	6
3. Description of the Device	7
3.1. Front View Transmitter	7
3.2. Back View Transmitter	7
3.3. Front View Receiver	8
3.4. Back View Receiver	8
3.5. Product Specifications	9
3.6. Dimensions.....	10
4. Installation	10
4.1. Installation Site Requirements	10
4.2. Connecting to Power Supply	10
5. Setup	11
5.1. Warnings and Precautions	11
5.2. Setup Example	11
6. Operation	12
6.1. Safety Instructions for Operation	12
7. Troubleshooting	12
8. Maintenance	13
8.1. Preventive Maintenance	13
8.1.1. Basic Cleaning Instructions	13
8.2. Corrective Maintenance	13
9. Deinstallation, Transportation and Storage	14
10. Disposal	14
11. Approval	14

1. Introduction

1.1. Before Using the Product



Important

Read and follow the instructions in this user manual before installing, operating or servicing this product.

The manufacturer will not accept liability for any resulting damages caused by the non-observance of this manual.

After unpacking, check the contents of the box. If any parts are missing or damaged, contact your Highlite International dealer.

Your shipment includes:

- VT201 - 4K-HDMI / USB KVM Extender Set (TX/RX)
- 2x Jack Cable with IR eye (IR IN) (1,5 m)
- 2x Jack Cable with IR eye (IR OUT) (1,5 m)
- USB-A to USB-B cable
- 2x brackets
- 2x DC Power Adapter (Input 100-240VAC, Output 12V 2A) (1,1 m)
- User manual

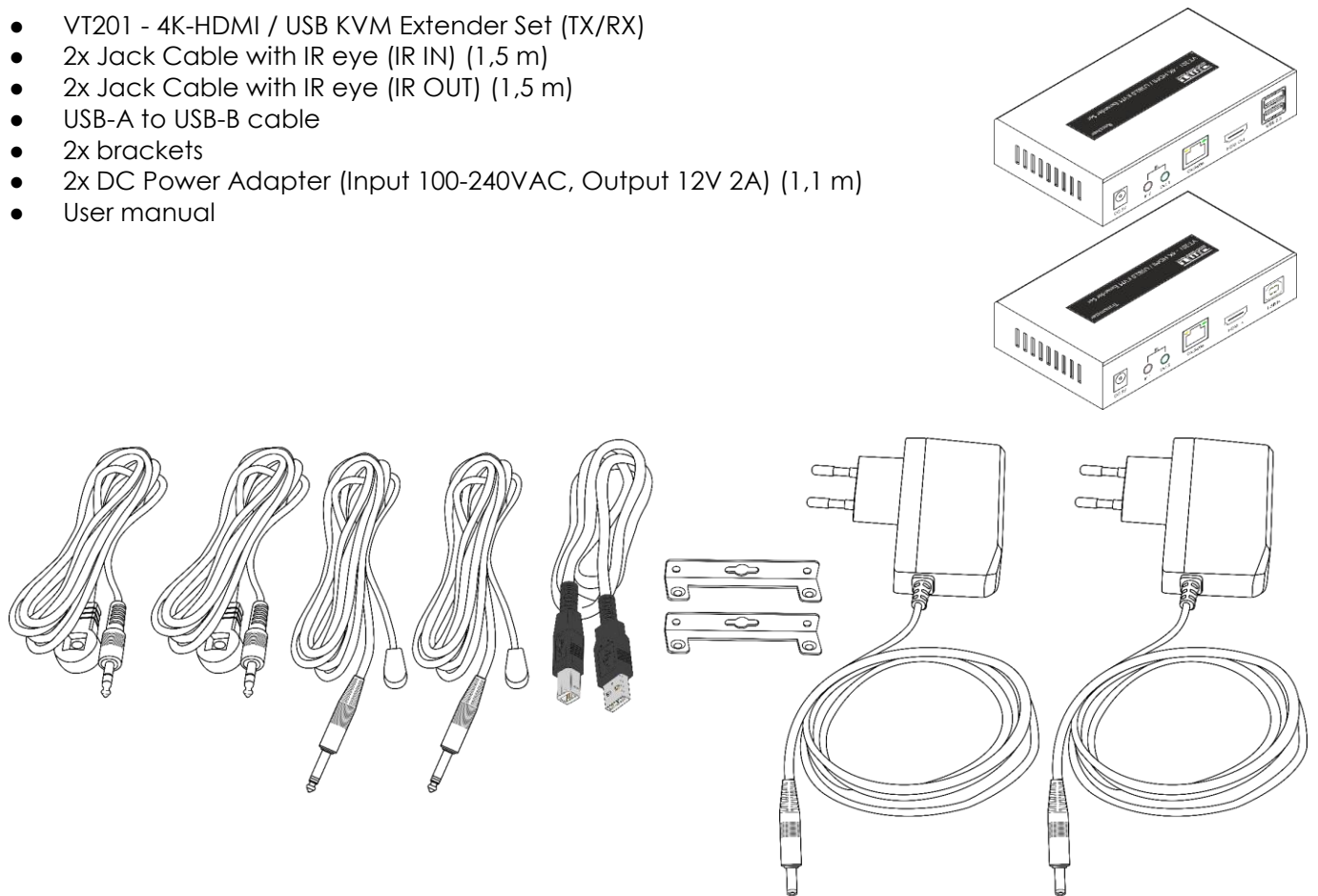


Fig. 01

1.2. Intended Use

This device is intended for professional use as an HDMI-USB extender set. It is suitable only for indoor installation. This device is not suitable for households.

Any other use, not mentioned under intended use, is regarded as non-intended and incorrect use.

1.3. Product Lifespan

This device is not designed for permanent operation. Disconnect the device from the electrical power supply when the device is not in operation. This will reduce the wear and will improve the device's lifespan.

1.4. Text Conventions







Throughout the user manual the following text conventions are used:

- References: References to chapters and parts of the device are in bold lettering, for example: "Refer to **2. Safety**", "turn the **adjustment screw (02)**"
- 0–255: Defines a range of values
- Notes: **Note:** (in bold lettering) is followed by useful information or tips

1.5. Symbols and Signal Words

Safety notes and warnings are indicated throughout the user manual by safety signs.





Always follow the instructions provided in this user manual.

-  **DANGER** Indicates an imminently hazardous situation which, if not avoided, will result in death or serious injury.
-  **WARNING** Indicates a potentially hazardous situation which, if not avoided, could result in death or serious injury.
-  **CAUTION** Indicates a potentially hazardous situation, which, if not avoided, may result in minor or moderate injury.
-  **Attention** Indicates important information for the correct operation and use of the product.
-  **Important** Read and observe the instructions in this document.
-  Provides important information about the disposal of this product.

1.6. Symbols on the Information Label

This product is provided with an information label. The information label is located on the bottom plate of the device.

The information label contains the following symbols:

-  This device is designed for indoor use.
-  This device is IEC protection class III.
-  This device shall not be treated as household waste.
-  Read and observe the instructions in this document.

2. Safety



Important
Read and follow the instructions in this user manual before installing, operating or servicing this product.

The manufacturer will not accept liability for any resulting damages caused by the non-observance of this manual.

2.1. Warnings and Safety Instructions



DANGER
Danger for children

For adult use only. The device must be installed beyond the reach of children.

- Do not leave various parts of the packaging (plastic bags, polystyrene foam, nails, etc.) within children's reach. Packaging material is a potential source of danger for children.



DANGER
Incorrect handling of the AC power adapter may result in hazardous situations

This device is delivered with an AC power adapter. Incorrect handling of the AC power adapter may result in hazardous situations.

- Use only the AC power adapter delivered with the device.
- Do not wrap the power cable around the power adapter or any other object. This can damage the internal wires.
- Do not cover the power adapter with anything when it is plugged into the socket-outlet. This may cause overheating.
- Do not expose the power adapter to water or other liquids.

Do not use the power adapter:

- If it shows signs of overheating, for example the plastic is damaged.
- If the AC input pins show signs of corrosion or overheating.
- If the power cable is damaged or shows signs of material fatigue.



Attention
General safety

- Do not insert objects into the air vents.
- Do not switch the device on and off in short intervals. This decreases the device's life.
- Do not shake the device. Avoid brute force when installing or operating the device.
- If the device is dropped or struck, disconnect the device from the electrical power supply immediately.
- If the device is exposed to extreme temperature variations (e.g. after transportation), do not switch it on immediately. Let the device reach room temperature before switching it on, otherwise it may be damaged by the formed condensation.



Attention
This device shall be used only for the purposes it is designed for.

This device is designed to be used as an HDMI-USB extender set. Any incorrect use may lead to hazardous situations and result in injuries and material damage.

- This device is not designed for permanent operation.
- This device does not contain user-serviceable parts. Unauthorized modifications to the device will render the warranty void. Such modifications may result in injuries and material damage.



Attention
Do not expose the device to conditions that exceed the rated IP class conditions.

This device is IP20 rated. IP (Ingress Protection) 20 class provides protection against solid objects greater than 12 mm, such as fingers, and no protection against harmful ingress of water.

2.2. Requirements for the User

This product may be used by ordinary persons. Maintenance and installation may be carried by ordinary persons. Service shall be carried out only by instructed or skilled persons. Contact your Highlite International dealer for more information.

Instructed persons have been instructed and trained by a skilled person, or are supervised by a skilled person, for specific tasks and work activities associated with the operation, installation, service and maintenance of this product, so that they can identify risks and take precautions to avoid them.

Skilled persons have training or experience, which enables them to recognize risks and to avoid hazards associated with the operation, installation, service and maintenance of this product.

Ordinary persons are all persons other than instructed persons and skilled persons. Ordinary persons include not only users of the product but also any other persons that may have access to the device or who may be in the vicinity of the device.

3. Description of the Device

The DMT VT201 - 4K-KVM / USB Extender Set enables sending HDMI, USB and infrared signals over long distances. It consists of a signal transmitter and receiver that can communicate through a network cable (not included). Its HDMI signal supports a resolution up to 4K (3840x2160 @30 Hz). It also offers USB 2.0 and Bi-Directional IR signal transmission.

Please note that a network switch is required when bridging a distance of more than 100 meters.

3.1. Front View Transmitter

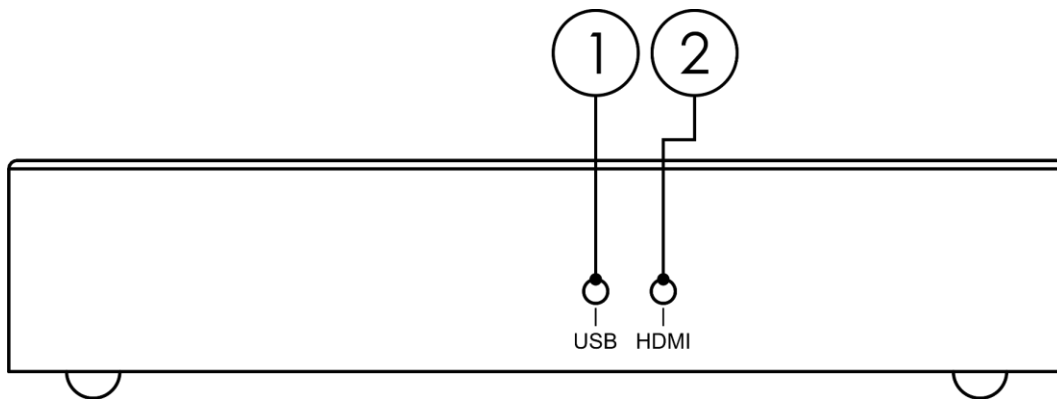


Fig. 02

- 01) USB LED indicator
- 02) HDMI LED indicator

3.2. Back View Transmitter

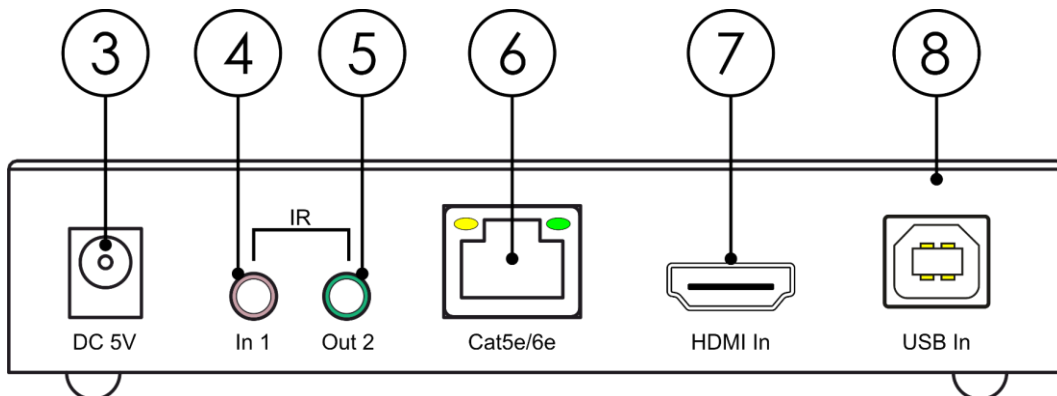


Fig. 03

- 03) DC5V
- 04) In 1: Jack connector for infrared sensor for remote control
- 05) Out 2: Jack connector for infrared sensor for remote control
- 06) CAT 5e/6e
- 07) HDMI IN
- 08) USB In (USB B)

3.3. Front View Receiver

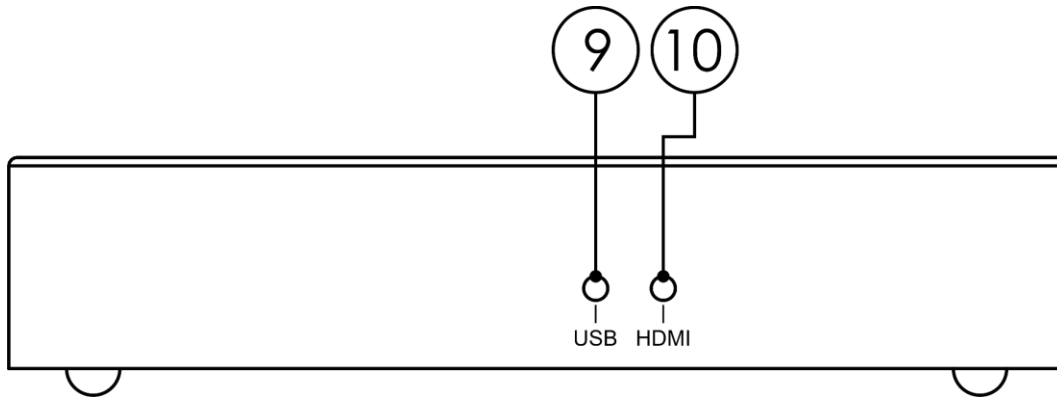


Fig. 04

- 09) USB LED indicator
- 10) HDMI LED indicator

3.4. Back View Receiver

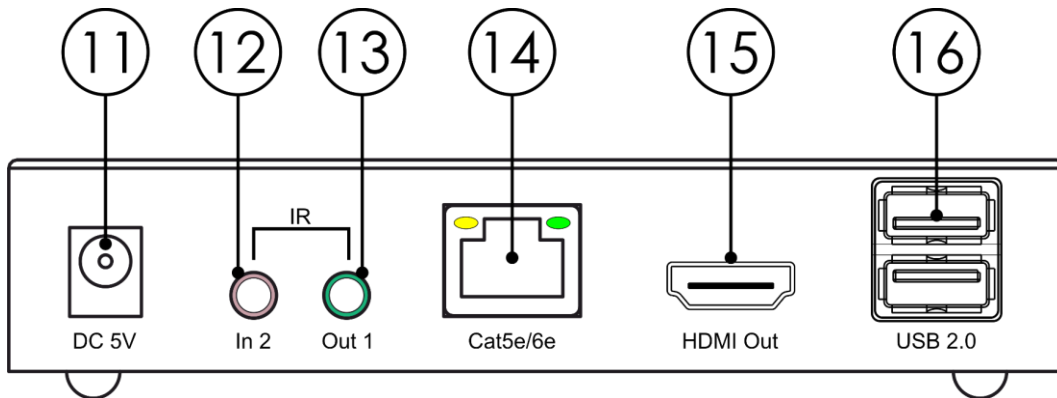


Fig. 05

- 11) 5 V DC
- 12) In 2: Jack connector for infrared sensor for remote control
- 13) Out 1: Jack connector for infrared sensor for remote control
- 14) CAT 5e/6e
- 15) HDMI OUT
- 16) 2x USB 2.0 (USB A)

3.5. Product Specifications

Model:	VT201 - 4K-HDMI / USB KVM Extender Set (TX/RX)
Transmitter	
Electrical:	
Input voltage:	100–240 V AC, 50/60 Hz
Power consumption:	3,5 W
Power supply	5 V DC / 2A
Physical:	
Dimensions:	125 x 70 x 25 mm (LxWxH)
Weight:	0,24 kg
Connections:	
Inputs:	In 1: Jack connector for infrared sensor for remote control CAT 5e/6e HDMI IN 2.0 USB In (USB B)
Outputs:	Out 2: Jack connector for infrared sensor for remote control
HDMI resolution:	Up to 4K (3840 x 2160 @30 Hz)
Receiver	
Electrical:	
Input voltage:	100–240 V AC, 50/60 Hz
Power consumption:	7 W
Power supply	5 V DC / 2A
Physical:	
Dimensions:	125 x 70 x 25 mm (LxWxH)
Weight:	0,26 kg
Connections:	
Inputs:	In 2: Jack connector for infrared sensor for remote control CAT 5e/6e 2x USB 2.0 (USB A)
Output:	HDMI OUT 2.0 Out 1: Jack connector for infrared sensor for remote control
HDMI resolution:	Up to 4K (3840 x 2160 @30 Hz)
Thermal:	
Maximum ambient temperature t_a :	40 °C
Minimum ambient temperature:	-10 °C
Maximum housing temperature t_c :	50 °C
Humidity:	5–90 %

3.6. Dimensions

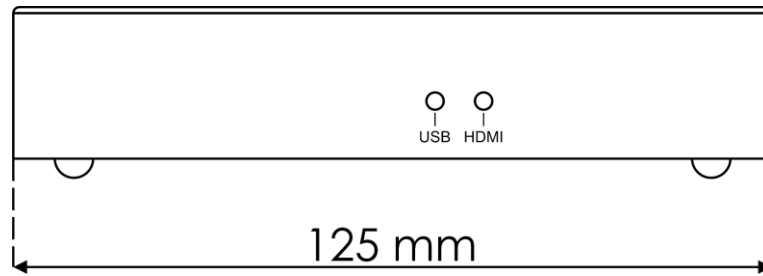


Fig. 06

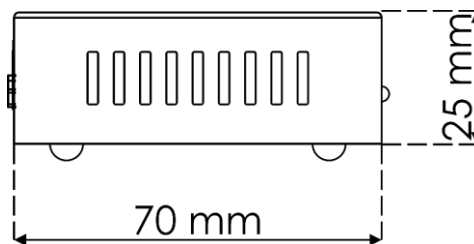


Fig. 07

4. Installation

4.1. Installation Site Requirements

- The device must be installed only indoors.
- The device can be positioned on a flat surface.
- The maximum ambient temperature $t_a = 40\text{ °C}$ must never be exceeded.
- The relative humidity must not exceed 50 % with an ambient temperature of 40 °C.

4.2. Connecting to Power Supply



Attention
Incorrect handling of the AC power adapter may result in hazardous situations

This device is delivered with an AC power adapter. Incorrect handling of the AC power adapter may result in hazardous situations.

Connect the device to the socket-outlet with the delivered AC power adapter. Use only the AC power adapter delivered with the device

5. Setup

5.1. Warnings and Precautions



Attention

Connect all data cables before supplying power.

Disconnect power supply before connecting or disconnecting data cables.

5.2. Setup Example

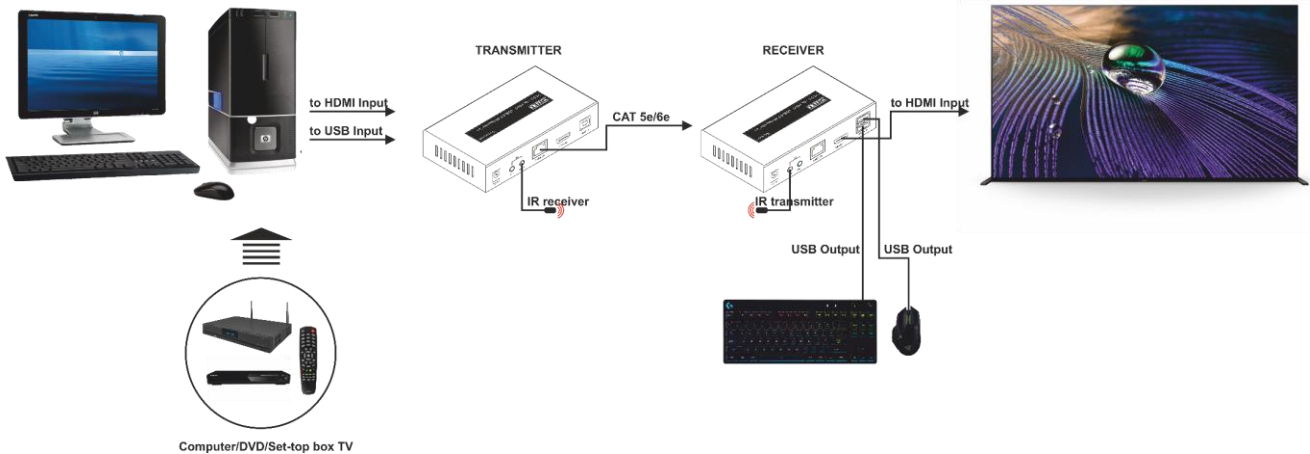


Fig. 08

Use this transmitter-receiver to:

- transmit an HDMI signal over a maximum distance of 100 m
- transmit a remote control signal over a maximum distance of 100 m
- transmit a keyboard or mouse signal over a maximum distance of 100 m (bi-directional)

To connect and use the device, follow the steps below:

- 01) Make sure that the transmitter, receiver and all other devices are not connected to the power supply.
- 02) Connect the input and output devices. See **5.2. Setup Example** on page 11.
 - Connect the PC HDMI output to the **HDMI IN (07)** of the transmitter.
 - Connect the **HDMI OUT (15)** of the receiver to a TV/beamer, etc.
 - Connect **CAT 5e/6e (06)** of the transmitter to the **CAT 5e/6e (14)** of the receiver.
 - Connect the IR eye to the **IR Out 2 (05)** of the transmitter.
 - Connect the second IR eye to the **IR In 2 (12)** of the receiver.
 - Connect a PC USB to the **USB In (08)** of the transmitter.
 - Connect a keyboard and a mouse to the 2x **USB In (16)** of the receiver.
- 03) Connect the transmitter and the receiver to the power supply.
- 04) Turn all other connected devices on.

6. Operation

6.1. Safety Instructions for Operation



Attention

This device must be used only for the purposes it is designed for.

This device is intended for professional use as an HDMI-USB extender set. It is suitable only for indoor installation.

Any other use, not mentioned under intended use, is regarded as non-intended and incorrect use.

7. Troubleshooting

This troubleshooting guide contains actions which can be carried out by the user. The device does not contain user-serviceable parts.

Unauthorized modifications to the device will render the warranty void. Such modifications may result in injuries and material damage.

Refer servicing to instructed or skilled persons. Contact your Highlite International dealer in case the solution is not described in the table.

Problem	Probable cause(s)	Solution
The device does not power up	No power to the device	<ul style="list-style-type: none"> Check if power is switched on and cables are plugged in
The device does not function	The transmitter / receiver is not correctly connected	<ul style="list-style-type: none"> Check if the cables are correctly connected Replace the cables
	The device cannot convert the received signal	<ul style="list-style-type: none"> Check if the output devices work correctly Check if the input and output devices are compatible
The output devices show a test pattern (color bars)	The signal source is disconnected	<ul style="list-style-type: none"> Check if the signal source is correctly connected
The device does not respond to IR remote control	The IR sensor is out of range	<ul style="list-style-type: none"> Try using the remote control at a different angle. Come closer to the IR eye
	The battery of the remote control is depleted	<ul style="list-style-type: none"> Change the battery

8. Maintenance

8.1. Preventive Maintenance

Make sure that there are no deformations on housings, fixations and installation points.

8.1.1. Basic Cleaning Instructions

To clean the device, follow the steps below:

- 01) Disconnect the device from the electrical power supply.
- 02) Remove the dust collected on the external surface with a soft brush.



Attention

- Do not immerse the device in liquid.
- Do not use alcohol or solvents.
- Make sure that the connections are fully dry before connecting the device to the power supply and to other devices.

8.2. Corrective Maintenance

The device does not contain user-serviceable parts. Do not open the device and do not modify the device.

Refer repairs and servicing to instructed or skilled persons. Contact your Highlite International dealer for more information.

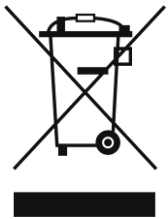
Disconnect power supply before servicing or cleaning.

9. Deinstallation, Transportation and Storage

- Disconnect power supply before deinstallation.
- Use the original packaging to transport the device, if possible.
- Always observe the handling instructions printed on the outer carton box, for example: "Handle with care", "This side up", "Fragile".
- Clean the device before storing. Follow the cleaning instructions in chapter **8.1.1. Basic Cleaning Instructions** on page 13.
- Store the device in the original packaging, if possible.

10. Disposal

Correct disposal of this product



Disposal of Old Electrical and Electronic Equipment (Applicable in the European Union and other European countries with separate collection systems)

This symbol on the product, its packaging or documents indicates that the product shall not be treated as household waste. Dispose of this product by handing it to the applicable collection point for the recycling of electrical and electronic equipment. This is to avoid environmental damage or personal injury due to uncontrolled waste disposal. For more detailed information about recycling of this product contact the local authorities or the authorized dealer.

11. Approval



Check the respective product page on the website of Highlite International (www.highlite.com) for an available declaration of conformity.



©2022 DMT