

# DECOLOCK DQ4

DECOLOCK DQ4 is a 4-point truss system made of aluminium. The individual elements are connected via four cones, pivots and pins. The advantage of the conical connection system is that the cones completely fit into the main chords so that highest load capacity is guaranteed. The Quick-Lock system enables fast, efficient and highly aesthetic assembly when the truss constructions are frequently assembled and dismantled. The four main chords are made of 35 mm aluminium tube with 2 mm wall thickness and offer sufficient strength at a low weight. The braces have a diameter of 10 mm with 2 mm wall thickness and provide the system with a decorative appearance.

With DECOLOCK, you can realize compact installations with low self weight, e. g. for shop displays, shop decorations, exhibitions, interior design, fair booths, discotheques and theatres.

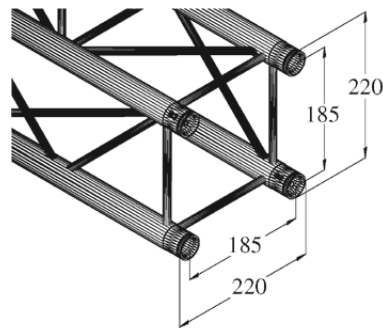
DECOLOCK is primarily designed for decorative installations and can be used for permanent or temporary installations due to its highly aesthetic appearance. The advantages of this system are the compact construction with 220 mm outer dimensions, low weight, optimum strength along with easy and quick assembly. The documentation of this truss system is closely related to the Codes of Practice SR 1.0 - Provision and Use of Truss Systems published by the VPLT/PLASA.

- Systems are available in RAL and special varnishing on request
- All sizes available
- Near-term delivery



## ALUTRUS DECOLOCK DQ4 4-way cross beam

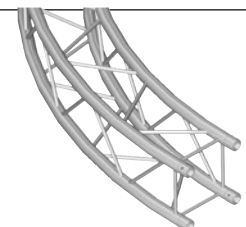
|                   |          |
|-------------------|----------|
| No. 60301707..... | DQ4-200  |
| No. 60301708..... | DQ4-250  |
| No. 60301710..... | DQ4-500  |
| No. 60301711..... | DQ4-750  |
| No. 60301712..... | DQ4-1000 |
| No. 60301714..... | DQ4-1500 |
| No. 60301716..... | DQ4-2000 |
| No. 60301720..... | DQ4-3000 |
| No. 60301724..... | DQ4-4000 |



**Materials used:**  
 Alloy EN-AW 6060 T66 (AlMgSi0.5 T66)  
 Main chords 35 x 2 mm  
 Braces 10 x 2 mm  
 Accessory/truss 4 x connecting cone, pivot, pin

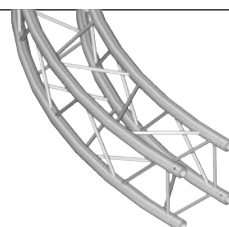
| Span (m) | Point load (kg) | Deflection (mm) | UDL (kg/m) | Deflection (mm) |
|----------|-----------------|-----------------|------------|-----------------|
| 2        | 180             | 1,1             | 380        | 2,4             |
| 4        | 120             | 3,6             | 108        | 7,6             |
| 6        | 100             | 11,7            | 39         | 17,8            |
| 8        | 87              | 21,1            | 24         | 33,6            |
| 10       | 69              | 39,1            | 12         | 45,8            |
| 12       | 60              | 66,5            | 7          | 61,7            |

Maximum system-length: 12 meters



### ALUTRUS DECOLOCK DQ-4 circle (inside)

|                   |     |
|-------------------|-----|
| No. 6030179A..... | 2 m |
| No. 6030179B..... | 3 m |
| No. 6030179C..... | 4 m |
| No. 6030179D..... | 5 m |
| No. 6030179E..... | 6 m |



### ALUTRUS DECOLOCK DQ-4 circle element

|                   |          |
|-------------------|----------|
| No. 6030179H..... | 2 m, 90° |
| No. 6030179J..... | 3 m, 90° |
| No. 6030179K..... | 4 m, 90° |
| No. 6030179L..... | 5 m, 45° |
| No. 6030179M..... | 6 m, 45° |