



No. 50531129

EN USER MANUAL

Thank you for purchasing this 5in1 remote control. It is designed for wireless control (2.4 GHz) of single- and multi-colored (CCT, RGB, RGBW, RGB+CCT) LED strips in combination with the matching 5in1 controller. The range is 20 meters.

SAFETY INSTRUCTIONS



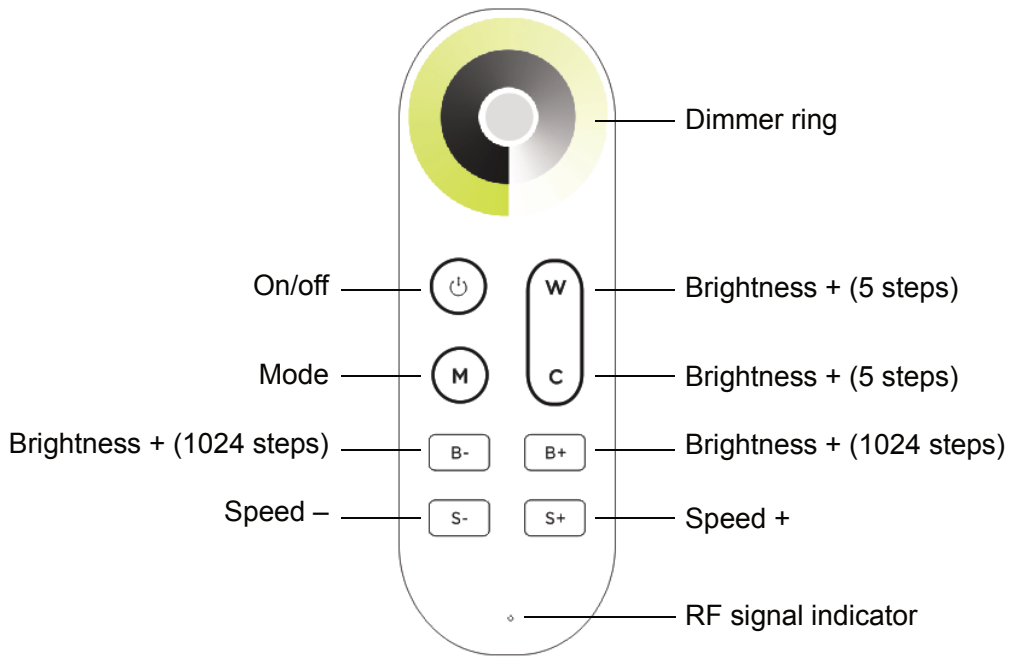
- Please read these operating instructions carefully before using the product. They contain important information for the correct use of your product. Please keep them for future reference.
- Only use the product according to the instructions given herein. Damages due to failure to follow these operating instructions will void the warranty! We do not assume any liability for any resulting damage.
- We do not assume any liability for material and personal damage caused by improper use or non-compliance with the safety instructions. In such cases, the warranty/guarantee will be null and void.
- Unauthorized rebuilds or modifications of the product are not permitted for reasons of safety and render the warranty invalid.
- This product is not a toy. Keep it out of the reach of children. Do not leave packaging material lying around carelessly.
- Keep this device away from rain and moisture. Indoor use only.
- Protect the product against excessive humidity and heat. The recommended temperature is -5 to +45°C.
- Before taking into operation, check upon possible damages. If defective, the product must not be taken into operation.
- This product is maintenance-free, except for occasional cleaning. You can use a slightly dampened cloth for cleaning. Never use alcohol or solvents.
- Maintenance and service operations are only to be carried out by authorized dealers.

SETUP

- 1) A wall holder and accessories are supplied with the remote control. Either mount the holder to the wall using the adhesive strip or the screws and dowels
- 2) For power supply of the remote control, insert two 1.5 V AAA batteries into the battery compartment as indicated. If the remote is not used for a longer period, please remove the batteries to prevent damage in case of battery leakage.
- 3) Follow the steps in chapter Wireless Connection to pair the remote control with the 5in1 controller.

OPERATION

Single-color LEDs

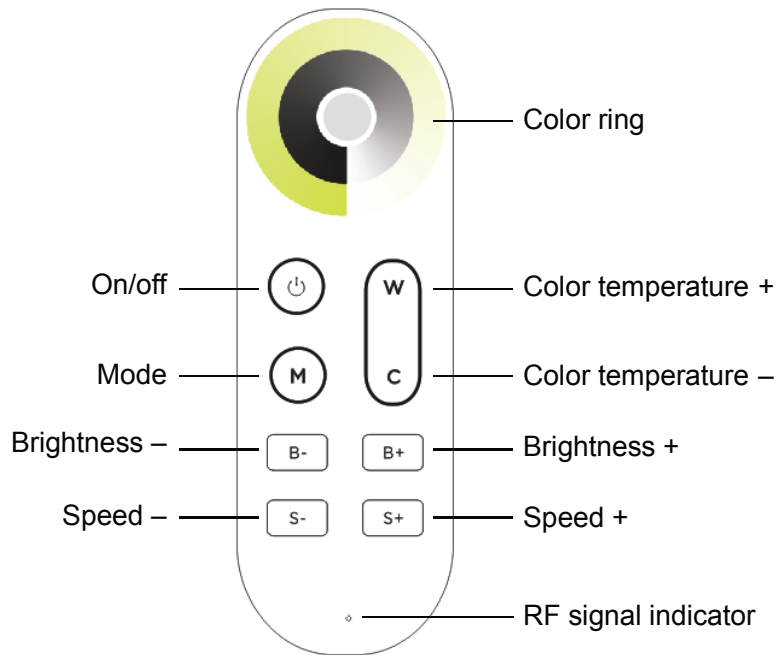


Button	Function
⏻	Power on/off
Dimmer ring	Adjusting brightness clockwise (127 level available)
M	Mode selection: flashing, fade
W	Reduce brightness in 5 levels (1 %, 10 %, 30 %, 70 %, 100 %)
C	Increase brightness in 5 levels (100 %, 70 %, 30 %, 10 %, 1 %)
B-	Reduce brightness in 1024 levels (Keep button pressed to proceed quicker)
B+	Increase brightness in 1024 levels (Keep button pressed to proceed quicker)
S-	Decrease speed for dynamic programs in 100 levels (Keep button pressed to proceed quicker)
S+	Increase speed for dynamic programs in 100 levels (Keep button pressed to proceed quicker)

Notes: In order for these functions to be available, the DIM operating mode must be set on the receiver via the DIP switches. The remote control switches to stand-by mode after 8 seconds of inactivity and can be reactivated by pressing any button.

OPERATION

White LEDs with variable color temperature

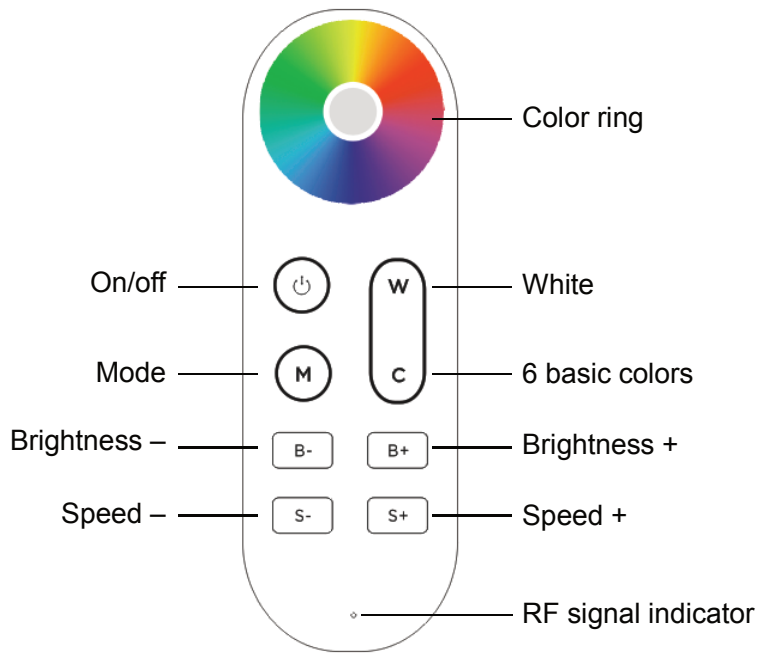


Button	Function
⏻	Power on/off
Color ring	Set color temperature between 100% cold white and 100% warm white
M	Mode selection: flashing, 2-color flashing, fade, 2-color fade
W	Increase color temperature in 5 steps (Keep button pressed to proceed quicker)
C	Decrease color temperature in 5 steps (Keep button pressed to proceed quicker)
B-	Reduce brightness in 1024 levels (Keep button pressed to proceed quicker)
B+	Increase brightness in 1024 levels (Keep button pressed to proceed quicker)
S-	Decrease speed for dynamic programs in 100 levels (Keep button pressed to proceed quicker)
S+	Increase speed for dynamic programs in 100 levels (Keep button pressed to proceed quicker)

Note: In order for these functions to be available, the CCT operating mode must be set on the receiver via the DIP switches.

OPERATION

RGB LEDs



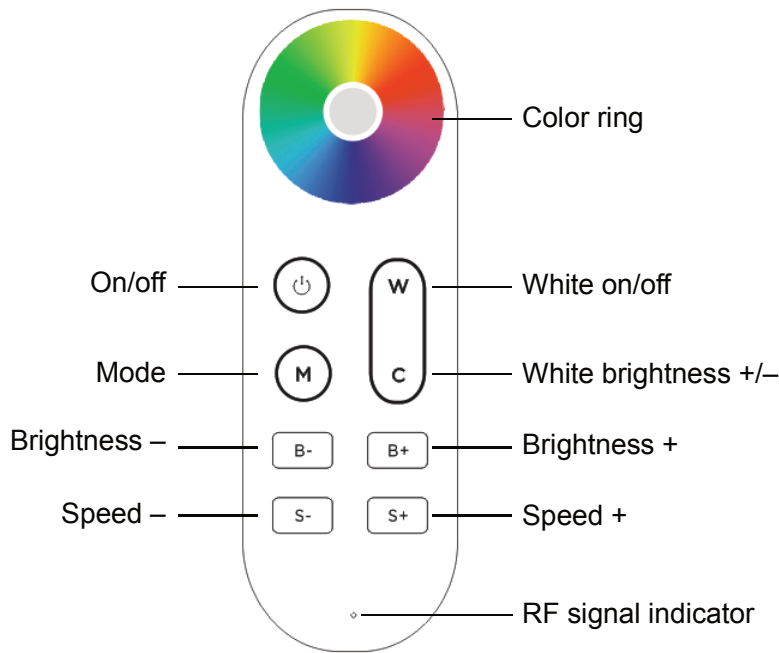
Button	Function
⏻	Power on/off
Color ring	Color selection (64 colors available)
M	Mode selection (8 modes available, see table below)
W	White light on/off
C	Select 6 static colors (red, green, blue, yellow, purple, cyan)
B-	Reduce brightness in 1024 levels (keep button pressed to proceed quicker)
B+	Increase brightness in 1024 levels (keep button pressed to proceed quicker)
S-	Reduce speed for dynamic programs in 100 levels (Keep button pressed to proceed quicker)
S+	Increase speed for dynamic programs in 100 levels (Keep button pressed to proceed quicker)

Mode	Function	Remarks	Mode	Function	Remarks
1	Pulsating white	Speed adjustable, brightness not adjustable	5	7 colors fade	Speed adjustable, brightness not adjustable
2	3 colors change		6	Fade R/G	
3	7 colors change		7	Fade R/B	
4	3 colors fade		8	Fade G/B	

Note: In order for these functions to be available, the RGB operating mode must be set on the receiver via the DIP switches.

OPERATION

RGBW LEDs



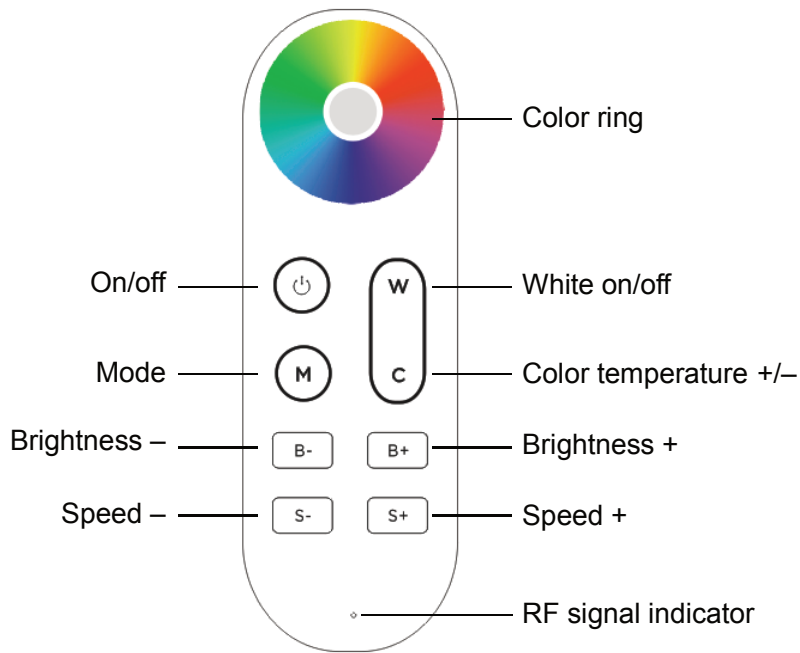
Button	Function
⏻	Power on/off
Color ring	RGB color selection (64 colors available)
M	Mode selection (8 modes available, see table below)
W	White light on/off
C	Increase/decrease brightness of white light in 1024 levels (keep button pressed to proceed quicker)
B-	Reduce brightness of RGB light in 1024 levels (keep button pressed to proceed quicker)
B+	Increase brightness of RGB light in 1024 levels (keep button pressed to proceed quicker)
S-	Reduce speed for dynamic programs in 100 levels (Keep button pressed to proceed quicker)
S+	Increase speed for dynamic programs in 100 levels (Keep button pressed to proceed quicker)

Mode	Function	Remarks	Mode	Function	Remarks
1	Pulsating white	Speed adjustable, brightness not adjustable	5	7 colors fade	Speed adjustable, brightness not adjustable
2	3 colors change		6	Fade R/G	
3	7 colors change		7	Fade R/B	
4	3 colors fade		8	Fade G/B	

Note: In order for these functions to be available, the RGBW operating mode must be set on the receiver via the DIP switches. The RGB and W channels are controlled independently.

OPERATION

RGBCW or RGB+CCT LEDs



Button	Function
Color ring	Power on/off
⏻	RGB color selection (64 colors available)
M	Mode selection (8 modes available, see table below)
W	White light on/off
C	Increase/decrease color temperature in 5 steps (Keep button pressed to proceed quicker)
B-	Reduce brightness of RGB light in 1024 levels (keep button pressed to proceed quicker)
B+	Increase brightness of RGB light in 1024 levels (keep button pressed to proceed quicker)
S-	Reduce speed for dynamic programs in 100 levels (Keep button pressed to proceed quicker)
S+	Increase speed for dynamic programs in 100 levels (Keep button pressed to proceed quicker)


Mode	Function	Remarks	Mode	Function	Remarks
1	Pulsating white	Speed adjustable, brightness not adjustable	5	7 colors fade	Speed adjustable, brightness not adjustable
2	3 colors change		6	Fade R/G	
3	7 colors change		7	Fade R/B	
4	3 colors fade		8	Fade G/B	

Note: In order for these functions to be available, the RGBCW operating mode must be set on the receiver via the DIP switches. The RGB and W channels are controlled independently.

WIRELESS CONNECTION

Pairing the remote control with the 5in1 controller

When paired, the controller can be controlled via the remote control.

Step	Procedure	Remarks
1	Connect the LEDs and switch on the 5in1 controller.	1) If the controller has been paired before, it has to be reset to factory settings before it can be paired again. 2) Provided that they are within the range of the remote control, multiple controllers can be configured simultaneously.
2	Keep the  button pressed for 5 seconds to switch to pairing mode. The RF indicator now flashes rapidly.	The connected LEDs flash three times and then return to their previous state. The devices have been paired successfully.
3	Press any button to finish.	The pairing process is also automatically terminated after 60 seconds.

Resetting the 5in1 controller


After being reset to factory settings, the controller can be paired with a new remote control.

Step	Procedure	Remarks
1	Connect the LEDs and switch on the 5in1 controller.	1) The controller should be reset within 60 seconds after power on. 2) Provided that they are within the range of the remote control, multiple controllers can be configured simultaneously.
2	Keep the M button pressed for 5 seconds to initiate the resetting process. The RF indicator now flashes rapidly.	1) The resetting process is automatically terminated after 60 seconds or by pressing any button. 2) Any remote control can be used to reset the receiver.
3	The connected LEDs flash three times and then return to their previous state.	The controller has been reset to factory settings successfully.

WIRELESS CONNECTION

Pairing multiple remote controls

Each remote control is delivered with its own code preconfigured. If you use multiple remote controls, the code of one remote control needs to be copied to the other remote controls for them to operate in sync successfully.

Step	Procedure	Remarks
1	Keep the  button on the master remote control pressed for 5 seconds to switch to copying mode. The RF indicator now flashes rapidly.	The copying process is automatically terminated after 60 seconds or by pressing any button.
2	Take the remote control you wish to copy the code to and keep the W button pressed for 20 seconds. The RF indicator switches from 100% brightness to 0% and flashes. The copying mode has been activated.	The copying process is automatically terminated after 30 seconds or after the code has been copied successfully.
3	The RF indicator on the remote control the code has been copied to flashes three times.	The code has been successfully copied to the new remote control. The device now automatically quits the copying mode.

Copying the code from controller to remote control

Codes can also be copied from a controller to a remote control, e.g. if the previously used remote control was lost and needs to be replaced.

Step	Procedure	Remarks
1	Switch off the controller.	
2	Keep the W button on the remote control pressed for 20 seconds. The RF indicator switches from 100% brightness to 0% and flashes. The copying mode has been activated.	The copying process is automatically terminated after 30 seconds or after the code has been copied successfully.
3	Switch on the controller. The RF indicator on the remote control flashes three times.	The code has been successfully copied to the new remote control. The device now automatically quits the copying mode.

Notes:

- 1) The distance between receiver and remote control should not exceed 2 meters during this procedure.
- 2) During the copying process, all information of the entire system is being transmitted. It is not necessary to repeat the procedure for different control zones.

Resetting the remote control

The remote control can be reset to factory settings.

Step	Procedure	Remarks
1	Keep the W button pressed for 30 seconds.	The RF indicator is dimmed down after 20 seconds. After 30 seconds the indicator lights with 100% brightness again, indicating that the resetting process has been activated.
2	Confirm with the M button. The RF indicator flashes three times.	The remote control has been reset to factory settings successfully.

TECHNICAL SPECIFICATIONS

Application:	DIM, CCT, RGB, RGBW, RGB+CCT
Carrier frequency:	2.4 GHz
Range:	approx. 20 m
Battery:	2 x 1.5V AAA LR03
Operating current:	<25 mA
Dimensions (LxWxH):	108 x 36 x 22 mm
Weight:	55 g

All information is subject to change without prior notice.

PROTECTING THE ENVIRONMENT



Disposal of old equipment

When to be definitively put out of operation, take the product to a local recycling plant for a disposal which is not harmful to the environment. Devices marked with this symbol must not be disposed of as household waste. Contact your retailer or local authorities for more information. Remove any inserted batteries and dispose of them separately from the product.



You as the end user are required by law (Battery Ordinance) to return all used batteries/ rechargeable batteries. Disposing of them in the household waste is prohibited. You may return your used batteries free of charge to collection points in your municipality and anywhere where batteries/rechargeable batteries are sold. By disposing of used devices and batteries correctly, you contribute to the protection of the environment.

eurolite[®]

Steinigke Showtechnic GmbH • Andreas-Bauer-Str. 5 • 97297 Waldbüttelbrunn, Germany
D00137209 Version 1.0 Publ. 21/12/2021

