

PUBLIC ADDRESS / AMPLIFIERS / MONO

PROX-120S

PA SINGLE ZONE AMPLIFIER



- ✓ PA versatile amplifier
- ✓ Microphone inputs with mix, gain and priority level control
- ✓ Great performance, low maintenance



+ Info:
<https://fonestar.com/PROX-120S>

ESPECIALLY RECOMMENDED IN:



Factories



Sports facilities



Education



All sectors

DESCRIPTION

PA amplifier The best tool for venue sound installation. Reliable for long working days. Distributed audio for PA installations with 100 V loudspeakers, also with low impedance output. User-friendly operation and a modern, discreet design. A solution to suit any budget. Safe and durable connections with low maintenance. Perfect for public address and piped music systems with 100 V or low impedance line speakers. Retail, educational centres, monuments, exhibitions, bars, restaurants, etc.

TECHNICAL CHARACTERISTICS

FEATURES	<p>PA Amplifier</p> <p>Microphone inputs with mix, gain and priority level control.</p> <p>Input priorities by signal level.</p> <p>Tone controls.</p> <p>100 V and 4 Ohm outputs.</p>
POWER	120 W RMS
RESPONSE	40-20,000 Hz (-10 dB)
DISTORTION	THD+N: < 1% @ 1 kHz
S/N RATIO	>77 dB
PROTECTIONS	Overcurrent, DC and short-circuit at the output
INPUTS	<p>CH 1 balanced mic/line with 48V Phantom, Combo (XLR + 6.3 mm) and euroblock.</p> <p>CH 2 and 3 mic/line balanced with 48V Phantom. Euroblock connector</p> <p>Mic signal level: 6 mV RMS (-44 dBV) / 600 Ohm</p> <p>Line signal level: 250 mV RMS (-12 dBV) / 100k Ohm</p> <p>2 x AUX. 2 x RCA and euroblock connector. Signal level 300 mV RMS (-10 dBV) / 47,000 Ohm</p> <p>1 x emergency. Euroblock connector. Speaker line signal level 100 V</p> <p>1 x Mute (Emergency Priority) by contact closure. Euroblock connector</p>
OUTPUTS	<p>1 line. 2 x RCA connector. 1.25 V RMS (+2 dBV) signal level</p> <p>100 V or 4 Ohm speaker output. Connector screw terminals</p>
IMPEDANCE	4 Ohm and 100 V line (83 Ohm)



+ Info:

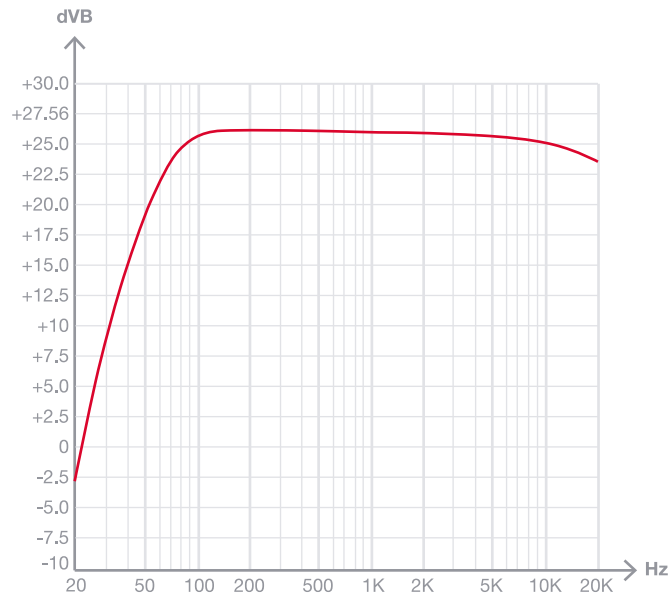
<https://fonestar.com/PROX-120S>

FUNCTIONS	<p>Input priority (Voice over VOX inputs): 100V Emergency input with highest priority, attenuates all other inputs. Mute by contact closure, attenuates all inputs except the 100V Emergency input. Channel 1 with priority over all other inputs, level selectable. Channel 2 and 3 with priority over auxiliary inputs, level selectable. Other functions: Power on, protection, signal peak and output signal indicators. Temperature-controlled cooling by forced ventilation</p>
CONTROLS	<p>Microphone volume Mic/line/phantom selector Master volume Aux input selector Tone: bass and treble (+/- 10 dB 100 Hz and 10k Hz) Microphone gain Priority activation signal level (VOX)</p>
OPERATING TEMPERATURE	Operation: 0° ~ 40°C
MAXIMUM HUMIDITY	95%
POWER SUPPLY	<p>230/115 V AC 50-60 Hz, 320 W Fuse AC 230 V 3.15 A / 115 V 6 A</p>
DIMENSIONS	433 x 89 x 360 mm depth. 2 U 19" rack
WEIGHT	9.5 kg
ACCESSORIES	<p>Power cable Rack mounts</p>

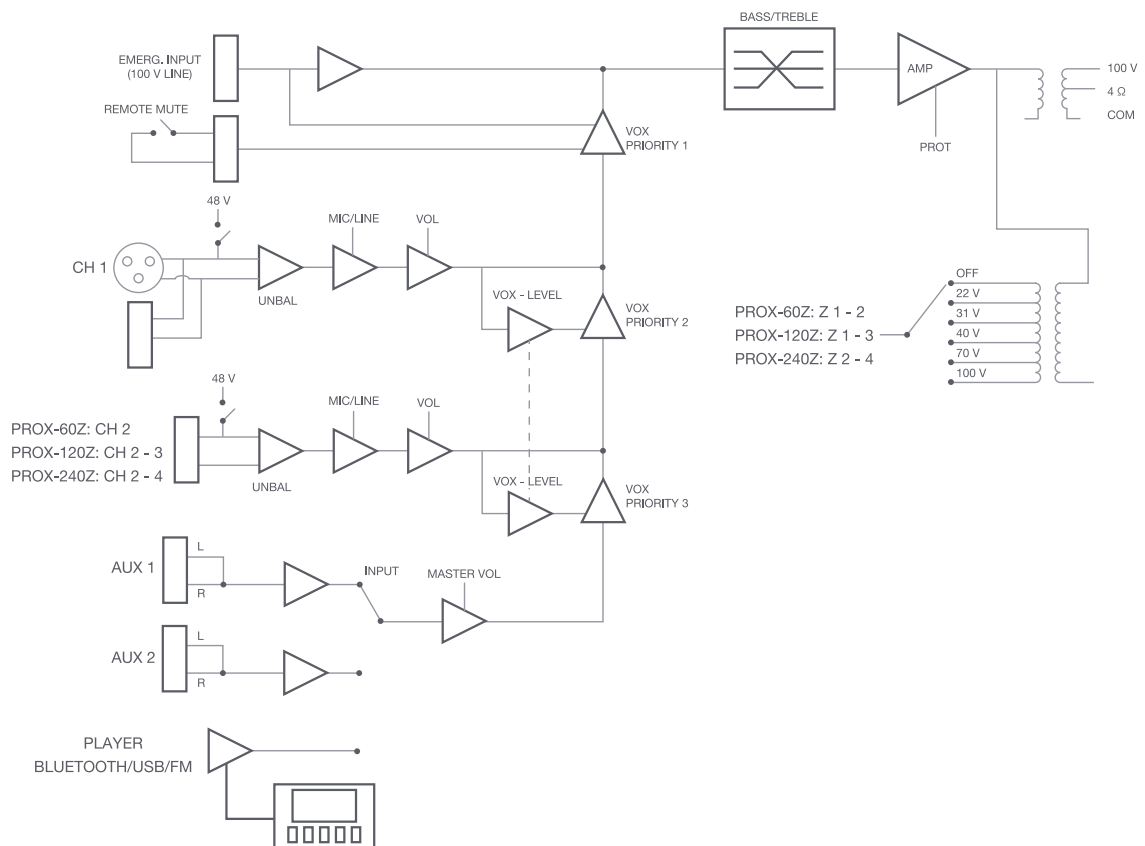


+ Info:
<https://fonestar.com/PROX-120S>

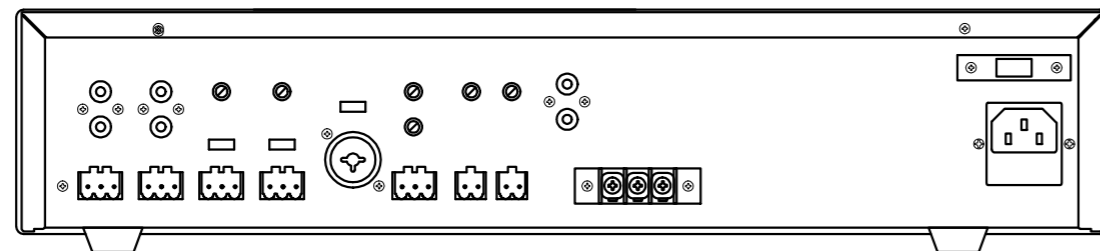
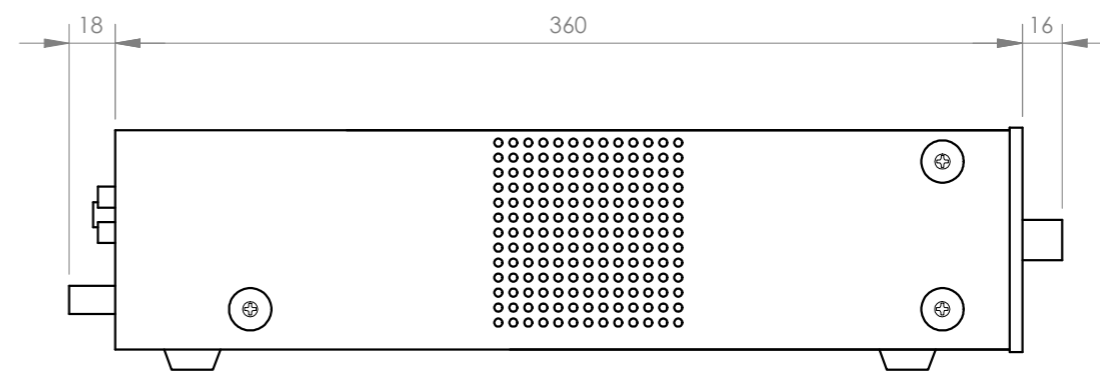
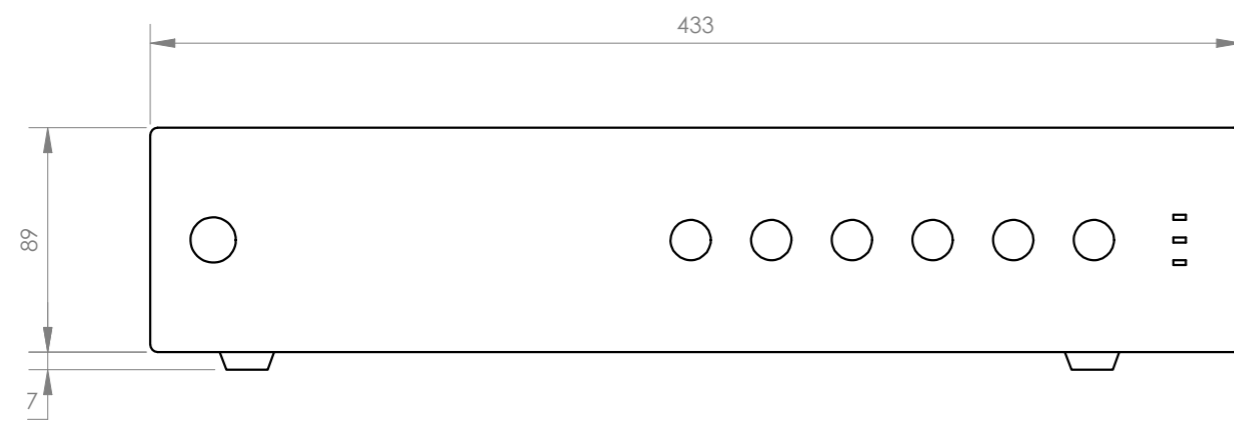
Frequency response



Block diagram



+ Info
<https://fonestar.com/PROX-120S>



FONESTAR	Model	Description	Units	Scale
	PROX-120S	PA SINGLE AMPLIFIER	mm	1:3