

PUBLIC ADDRESS / AMPLIFIERS / MONO

PROX-240Z

PA MULTI-ZONE AMPLIFIER



- ✓ Output zones with volume and Off control
- ✓ Bluetooth/USB/FM player
- ✓ Great performance, low maintenance



+ Info:
<https://fonestar.com/PROX-240Z>

ESPECIALLY RECOMMENDED IN:



Factories



Sports facilities



Education



All sectors

DESCRIPTION

PA amplifier with Bluetooth®/USB/FM player and speaker zone selector. The best tool for sound coverage of areas. Reliable for long working days. Distributed audio for PA installations with 100 speakers, also with low impedance output. Versatile player for background music. Bluetooth, FM and USB memory player. With auto play function on power on. It has 4 zone outputs with volume control for different music levels per zone. User-friendly operation and a modern, discreet design. A solution that fits any budget. Secure, durable connections with low maintenance. Can be used on the desktop or installed in a rack. Perfect for PA and piped music systems with 100 V or low-impedance line loudspeakers. Commercial premises, educational centres, monuments, exhibitions, bars, restaurants, etc.

TECHNICAL CHARACTERISTICS

FEATURES	Public address amplifier. Bluetooth/USB/FM player. Microphone input with mix, gain and priority level control. Input priorities by signal level. Tone controls. 100 V and 4 Ohm outputs. 4 outputs zones with volume control and Off.
POWER	240 W RMS
RESPONSE	40-20,000 Hz (-10 dB)
DISTORTION	THD+N: < 1% @ 1 kHz
S/N RATIO	>77 dB
PROTECTIONS	Overcurrent, DC and short-circuit at the output



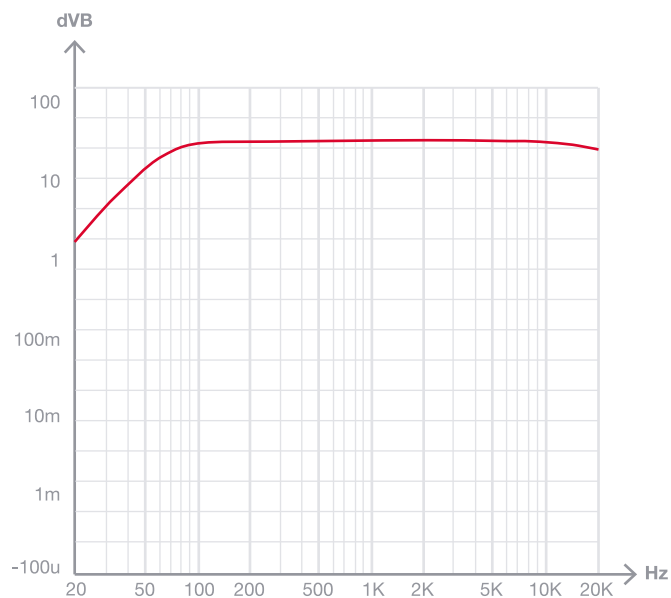
+ Info:
<https://fonestar.com/PROX-240Z>

INPUTS	<p>CH 1 balanced mic/line with 48V Phantom, Combo (XLR + 6.3 mm) and euroblock. CH 2, 3 and 4 balanced mic/line with 48V Phantom. Euroblock connector. Mic signal level: 6 mV RMS (-44 dBV) / 600 Ohm Line signal level: 250 mV RMS (-12 dBV) / 100k Ohm 2 x AUX. 2 x RCA and euroblock connector. Signal level 300 mV RMS (-10 dBV) / 47,000 Ohm 1 x emergency. Euroblock connector. Speaker line signal level 100 V 1 x Mute (Emergency Priority) by contact closure. Euroblock connector</p>
OUTPUTS	<p>1 x line. 2 x RCA connector. Signal level 1.25 mV RMS (+2 dBV) 100 V or 4 Ohm speaker output, or 4 x 100 V speaker zones with 5-position volume selector and OFF (max. 120 W RMS per zone). Connector screw terminals</p>
IMPEDANCE	<p>4 Ohm and 100 V (420hm) line</p>
FUNCTIONS	<p>Input priority (voice over VOX inputs): 100V Emergency input with maximum priority, attenuates all other inputs. Mute by contact closure, attenuates all inputs except the 100 V Emergency input. Channel 1 with priority over all other inputs, level selectable Channel 2, 3 and 4 with priority over auxiliary and player inputs, level selectable Other functions: Indicator lights for power, protection, signal peak, and output signal Temperature-controlled forced ventilation cooling</p>
PLAYER	<p>Bluetooth/USB/FM player for ambient music playback MP3 and WAV files supported Maximum USB memory capacity 64 GB Autoplay, starts playback automatically when switched on Playback mode memory (random, repeat).</p>
CONTROLS	<p>Microphone volume Mic/line/phantom switch Master volume Auxiliary input selector or player Zone volume Tone: bass and treble (± 10 dB 100 Hz and 10k Hz). Microphone gain Priority activation signal level (VOX)</p>
TEMPERATURE	<p>Operation: 0° ~ 40°C</p>
MAXIMUM HUMIDITY	<p>95%</p>
POWER SUPPLY	<p>230/115 V AC, 50-60 Hz, 480 W Fuse AC 230 V 4 A / 115 V 8 A</p>
DIMENSIONS	<p>433 x 89 x 360 mm depth. 2 U 19" rack</p>
WEIGHT	<p>11.5 kg</p>
ACCESSORIES	<p>FM antenna Bluetooth antenna. Power cable Rack mounts</p>

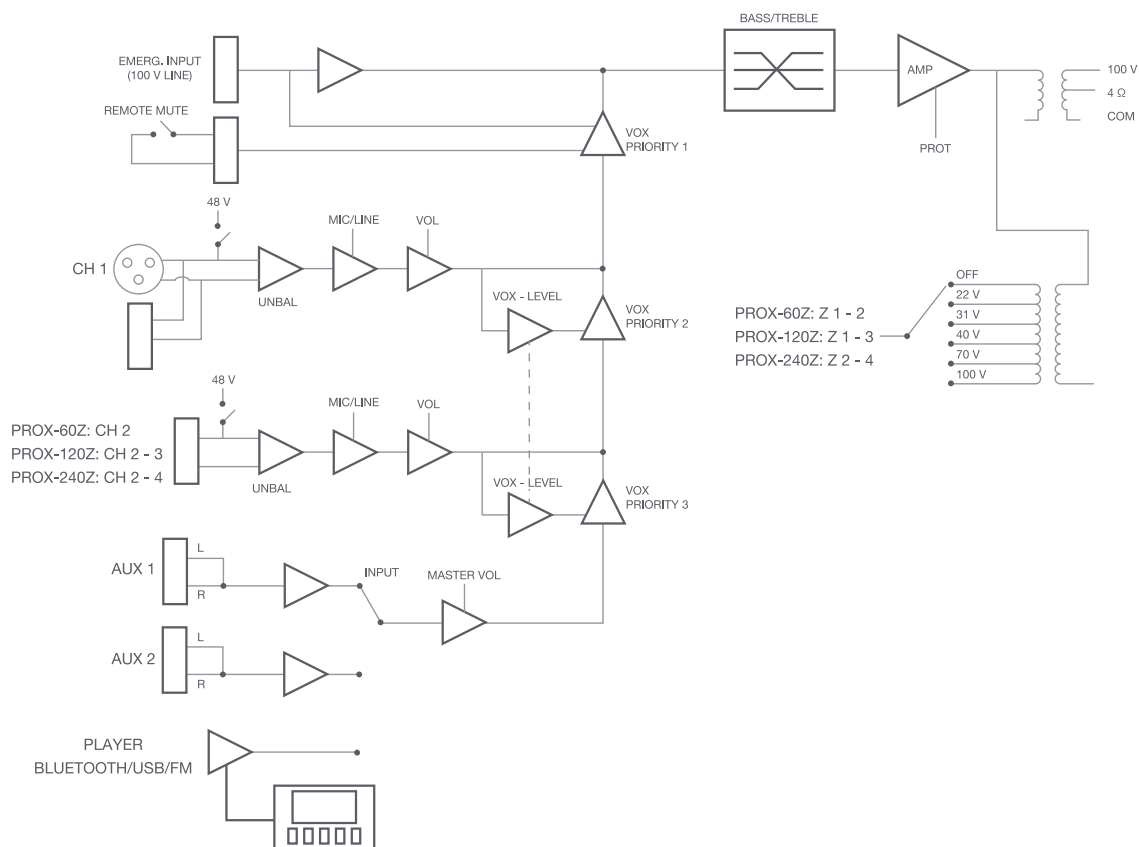


+ Info:
<https://fonestar.com/PROX-240Z>

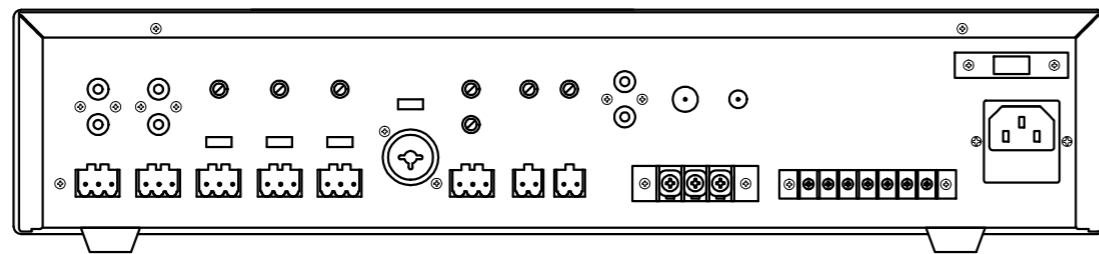
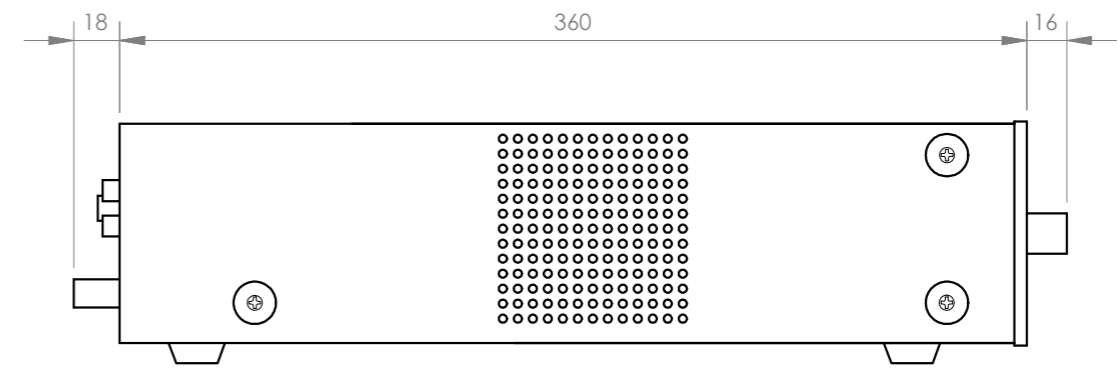
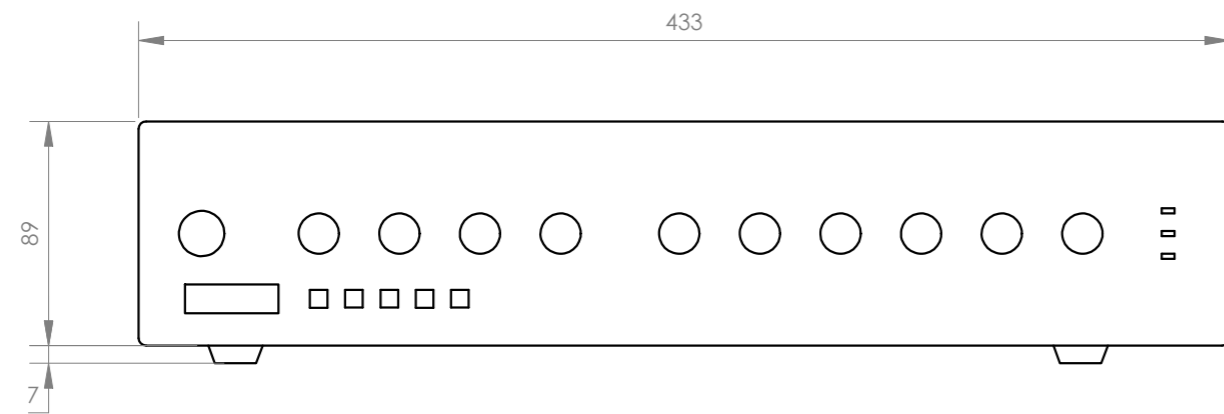
Frequency reponse



Block diagram



+ Info
<https://fonestar.com/PROX-240Z>



FONESTAR	Model	Description	Units	Scale
	PROX-240Z	PA MULTI-ZONE AMPLIFIER	mm	1:3