

PUBLIC ADDRESS / AMPLIFIERS / MONO

MAX-240Z

PA MULTI-ZONE AMPLIFIER



CLASS D



EMERG / CH1-4
PRIORITY INPUT



4 ZONES (100 V)



RADIO



USB

- ✓ Class D amplifier and SMPS switched power supply
- ✓ Speaker output zones with volume control
- ✓ USB/FM player
- ✓ Emergency and mute input for connection to alarm and evacuation systems
- ✓ 24 V attenuators priority



+ Info:

<https://fonestar.com/MAX-240Z>

ESPECIALLY RECOMMENDED IN:



Factories



Sports facilities



Hospitality



All sectors

DESCRIPTION

PA amplifier with USB/FM player and speaker zone selector. Designed by Fonestar, unique, elegant and innovative. It uses a current class D amplifier of high efficiency and reliability to offer the best sound performance. Achieves the sound coverage of any space for long periods of time. The output zones allow different volume levels to be selected, customising the sound of each zone. The best solution for PA and background music installations with a large number of 100 V line loudspeakers. It also has a low impedance output for transformerless loudspeakers. It incorporates a player as a source of background music. The microphone inputs allow for announcements with ring tones. They have priority attenuating auxiliary inputs and activate the attenuator priority (24V). Euroblock connectors with secure, long-lasting and low-maintenance connection. The amplifier offers user-friendly operation. It can be used as a desktop or rack-mounted amplifier. Perfect for PA and piped music systems with 100 V or low impedance line loudspeakers. In commercial premises, educational centres, monuments, exhibitions, bars, restaurants, etc.

TECHNICAL CHARACTERISTICS

FEATURES	<ul style="list-style-type: none"> Class D PA amplifier and SMPS switch-mode power supply. USB/FM player. Microphone inputs with mix, gain and priority level control. Ring tone generator (Chime). 3 auxiliary inputs. Emergency and mute input for connection to alarm and evacuation systems. 24 V attenuator priority. Tone controls. 100 V, 70 V and 4 Ohm outputs. 4 output zones with volume control and Off.
POWER	240 W RMS
RESPONSE	45-22,000 Hz (-10 dB)
DISTORTION	THD+N: <0.5% at 1 kHz
S/N RATIO	Mic >75 dB, Line >83 dB, Aux >81 dB
PROTECTIONS	Soft start, overcurrent, overload, temperature and short circuit



+ Info:

<https://fonestar.com/MAX-240Z>

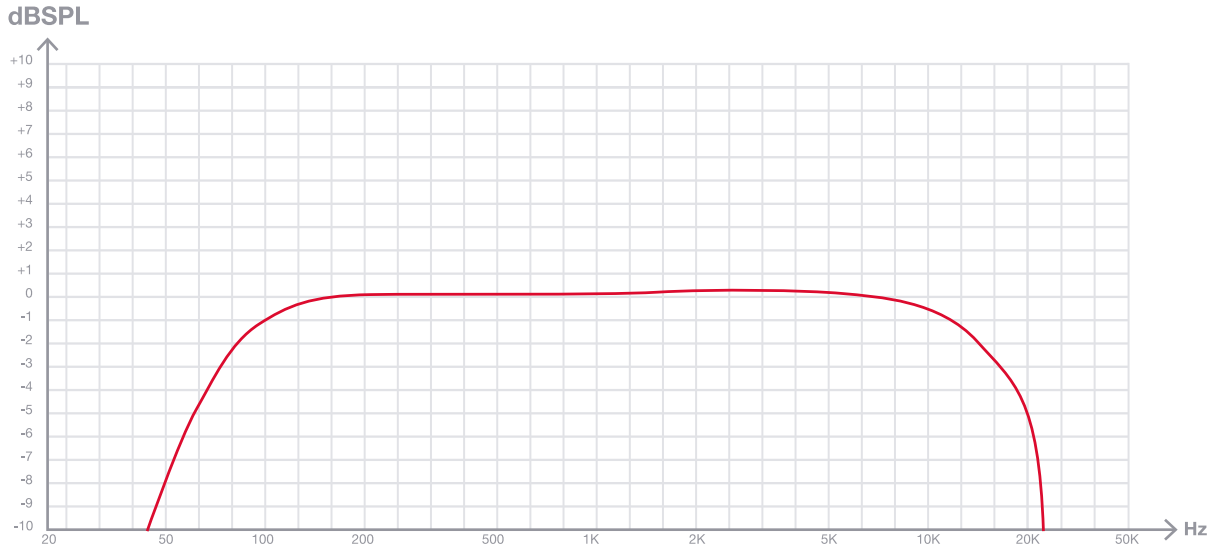
INPUTS	<p>CH 1 mic/line balanced with 48V phantom. Combo connector (XLR + 6.3mm) and euroblock. Contact closure ring tones.</p> <p>CH 2, 3 and 4 microphone/line balanced with Phantom 48V. Euroblock connector. Contact closure ring tones.</p> <p>Mic signal level: 5.6 mV RMS (-45 dBV) / 600 Ohm.</p> <p>Line signal level: 250 mV RMS (-12 dBV) / 100k Ohm.</p> <p>3 AUX. 2 x RCA connector. Signal level 316 mV RMS (-10 dBV) / 47,000 Ohm.</p> <p>1 emergency. Euroblock connector. Signal level: line 326 mV RMS (-10 dBV) or 100 V line.</p> <p>Mute (Emergency Priority) by contact closure. Euroblock connector.</p> <p>1 Amp-in. RCA connector. signal level 1.2 V RMS (+ 1.5 dBV).</p>
OUTPUTS	<p>1 REC. 2 x RCA connector. Signal level 316 mV RMS (-10 dBV). Pre-master.</p> <p>1 Pre-out. RCA connector. Signal level 1.2 V RMS (+1.5 dBV).</p> <p>100 V, 70 V or 4 Ohm speaker output, or 4 zones of 100 V speakers with volume selector 7 positions and OFF. Euroblock connector.</p> <p>1 attenuator priority, 24 V 100 mA and contact closure. Euroblock connector.</p>
IMPEDANCE	<p>4 Ohm, línea 100 V (42 Ohm) and 70 V (20 Ohm), euroblock</p>
FUNCTIONS	<p>Input priority (Voice over VOX inputs):</p> <p>100 V Emergency input with highest priority, attenuates all other inputs.</p> <p>Mute by contact closure, attenuates all inputs except the 100 V Emergency input.</p> <p>Channel 1 with priority over all other inputs, level selectable.</p> <p>Channel 2, 3 and 4 with priority over auxiliary and player inputs, level selectable</p> <p>Ring tones (chime): on microphone inputs, by contact closure.</p> <p>Other functions:</p> <p>Power ring light, AUX input, zone and player indicators. Power on, signal, clip, priority activation and protection.</p> <p>Induction cooling, fanless. Silent and maintenance-free</p>
PLAYER	<p>USB/FM player for background music playback</p> <p>Autoplay, playback starts automatically when power is switched on</p> <p>Memory of last selected mode</p> <p>Play mode memory (random, repeat)</p>
CONTROLS	<p>Microphone volume</p> <p>Master volume</p> <p>Aux or player input selector</p> <p>Zones with power on and 7 volume positions</p> <p>Tone: bass and treble (+/- 10 dB 100 Hz and 10k Hz)</p> <p>Mic/line/phantom selector, ring tones and priority</p> <p>Ring tone level (chime)</p> <p>Priority activation signal level (VOX)</p>
TEMPERATURE	<p>Operation: -10° ~ 40°C</p> <p>Storage: -20° ~ 60°C</p>
MAXIMUM HUMIDITY	<p>90%</p>
POWER SUPPLY	<p>230/115 V AC 50-60Hz</p> <p>Power consumption: 345 W</p> <p>AC fuse 230 V 4 A / 115 V 8 A</p>
DIMENSIONS	<p>430 x 89 x 320 mm depth. 2 U 19" rack</p>
WEIGHT	<p>8.5 kg</p>
ACCESSORIES	<p>FM Antenna</p> <p>Power cable</p> <p>Rack mounts</p>



+ Info:
<https://fonestar.com/MAX-240Z>

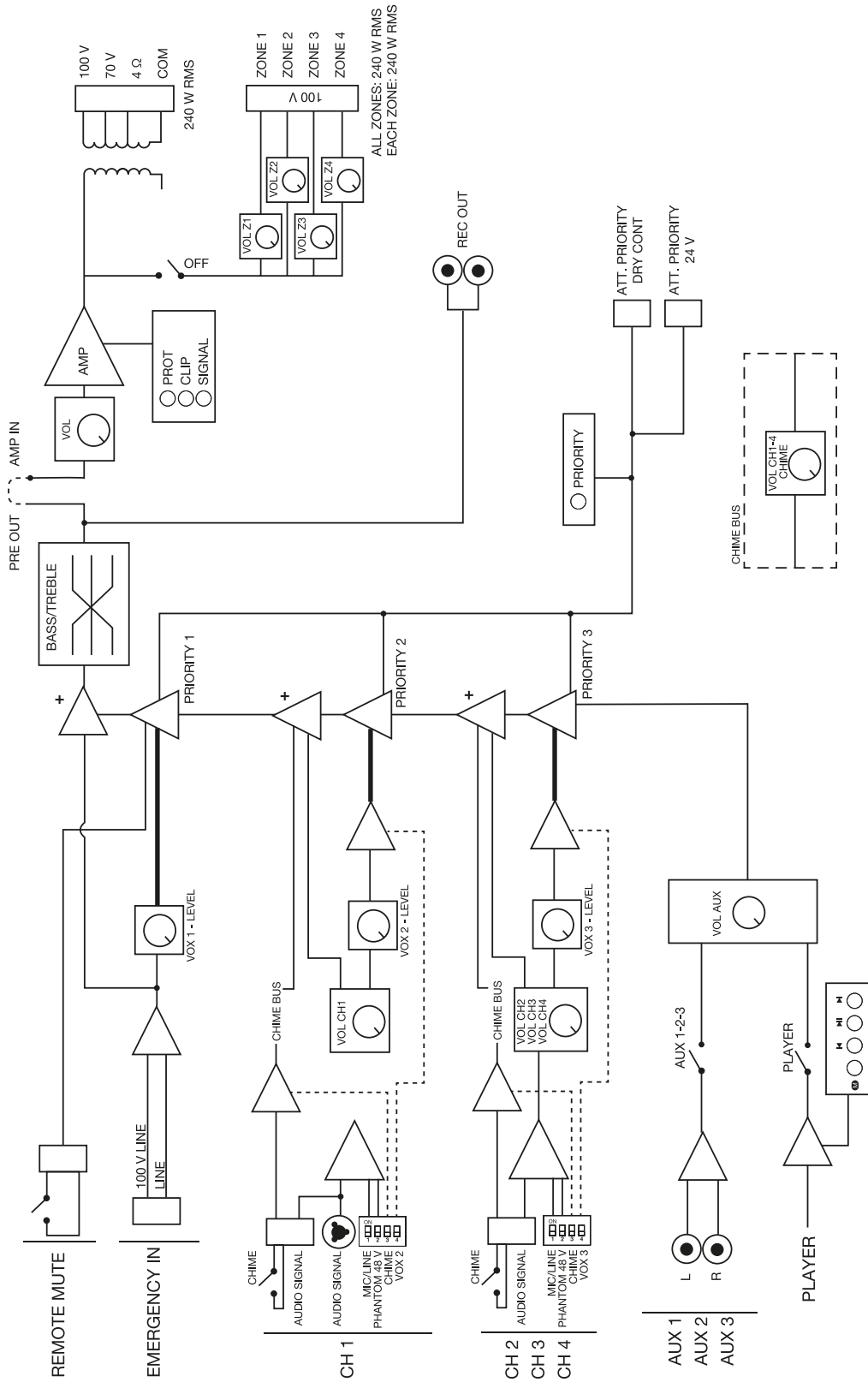


●  SPL vs Frequency

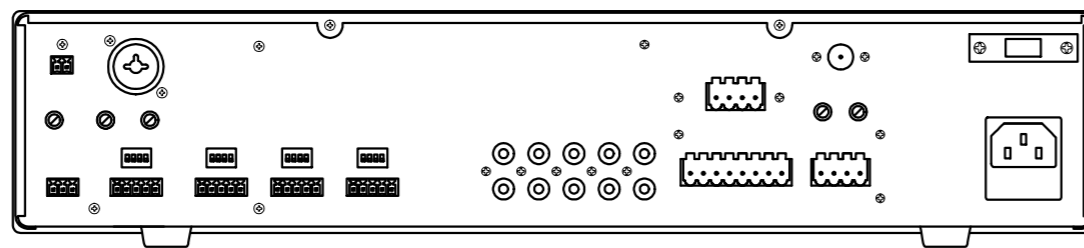
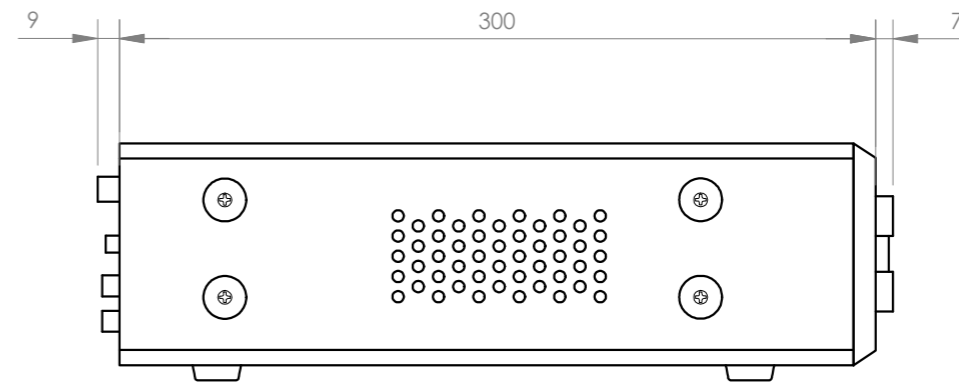
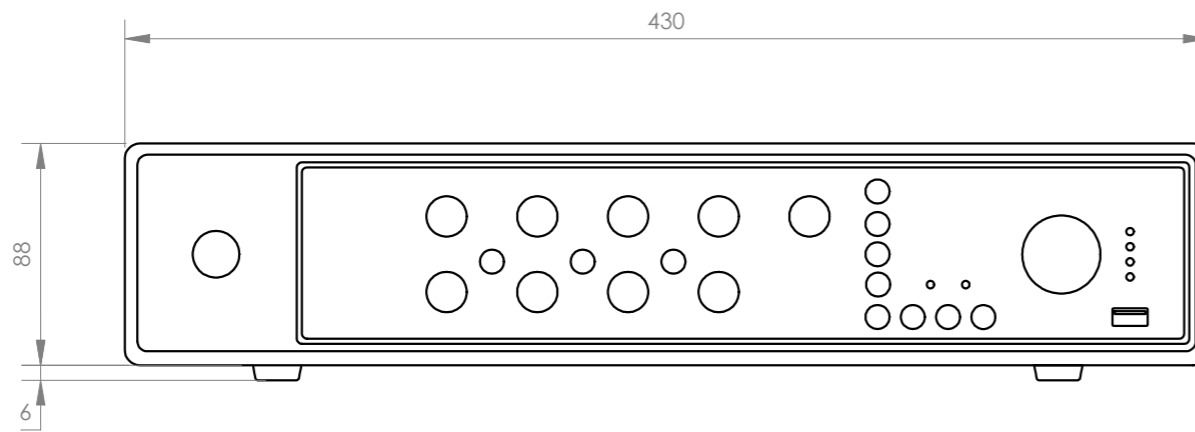


+ Info
<https://fonestar.com/MAX-240Z>

Block diagram



+ Info
<https://fonestar.com/MAX-240Z>



FONESTAR	Model	Description	Units	Scale
	MAX-240Z	PA MULTI-ZONE AMPLIFIER	mm	1:3