

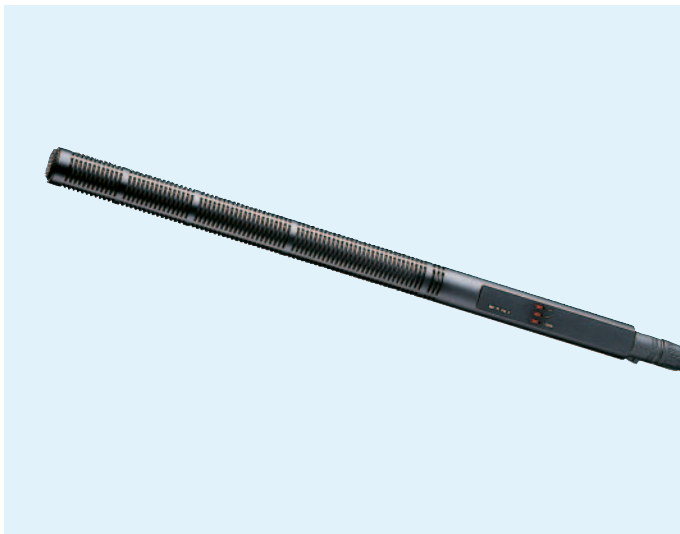
MKH 70 P 48

Microphones | RF Symmetrical Capsule Condenser Microphone

Cat. No. 003149

General Description

The MKH 70 is a lightweight long gun microphone. Its excellent directivity is particularly suited to applications undertaken in difficult conditions, such as high background noise and distance microphone positioning. Its frequency-independent directivity prevents sound colouration from off-axis sound sources.



Cable pictured is an accessory not supplied with the microphone

Features

- Exceptionally low inherent self-noise
- Transformerless and fully floating balanced output
- Infra-sonic cut-off filter
- Symmetrical transducer technology ensures extremely low distortion
- Switchable pre-attenuation, switchable roll-off filter and switchable treble emphasis
- Rugged and weather-proof
- Black, anodised light metal body
- Delivery includes: 1 MKH 70

Recommended Accessories

- MZA 14 P 48 U battery power supply unit
- MZT 100 table stand
- MZT 441 table stand
- MZQ 40 quick release clamp
- MZS 40 shock mount
- MZW 61 foam windshield
- MZS 20-1 shock mount
- MZW 60-1 basket windshield
- MZH 60-1 hairy cover

- Cat. No. 002960
- Cat. No. 001883
- Cat. No. 000799
- Cat. No. 035077
- Cat. No. 003017
- Cat. No. 003194
- Cat. No. 003609
- Cat. No. 003607
- Cat. No. 003224

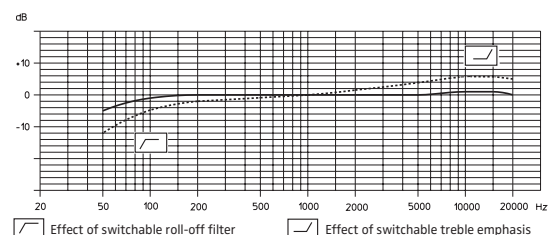
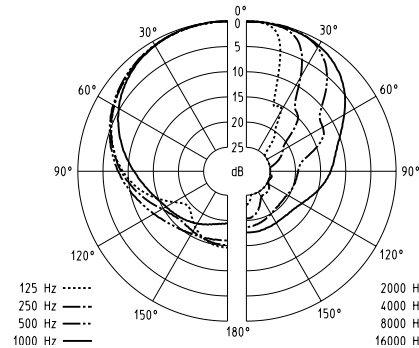
Possible Combinations

Table stand: MZT 100 or MZT 441, MZQ 40
Suspension/windshield:
MZS 40, MZW 61 or MZS 20-1, MZW 60-1, MZH 60-1

Technical Data

Pick-up pattern	super-cardioid/lobar
Frequency response	50 – 20,000 Hz
Sensitivity (free field, no load, 1 kHz)	50 (15) mV/Pa
Nominal impedance	150 Ω
Min. terminating impedance	1 kΩ
Equivalent noise level	
A-weighted (DIN IEC 651)	5 (13) dB
CCIR-weighted (CCIR 468-3)	16 (24) dB
Max. sound pressure level	124 (132) dB at 1 kHz
Power supply	phantom 48 ± 4 V
Supply current	2 mA
Dimensions	∅ 25 x 410 mm
Weight	180 g

Values in parentheses with attenuator switched on (–10 dB)



Profile

Super-cardioid/lobar (long gun) interference tube microphone with infra-sonic cut-off filter, switchable pre-attenuation, switchable roll-off filter and switchable treble emphasis. Frequency response 50 – 20,000 Hz, sensitivity (free field, no load) 50 (15) mV/Pa at 1 kHz, nominal impedance 150 Ω, min. terminating impedance 1 kΩ, equivalent noise level A-weighted 5 (13) dB, CCIR-weighted 16 (24) dB, max. SPL 124 (132) dB at 1 kHz, phantom powering 48 ± 4 V, supply current 2 mA, dimensions ∅ 25 x 410 mm, weight 180 g. Values in parentheses with attenuator switched on (–10 dB).