

SCT-600, SCT-61M, SCT-122M, IR-600T, SCT-6R

SIMULTANEOUS INTERPRETATION SYSTEM
SISTEMA DE TRADUCCIÓN SIMULTÁNEA
SYSTÈME DE TRADUCTION SIMULTANÉE
SISTEMA DE INTERPRETAÇÃO SIMULTÂNEA



INSTRUCTION MANUAL/MANUAL DE USUARIO/
MODE D'EMPLOI/MANUAL DE INSTRUÇÕES

FONESTAR

DESCRIPTION

- Simultaneous translation system with transmission via IR radiators, capable of controlling 5 languages in addition to the original language.
- Enables translation and distribution of up to 6 different languages simultaneously and wirelessly via infrared technology.
- Designed to prevent interference with lighting systems and thereby provide high sound quality.
- This system consists of an **SCT-600** main unit which controls all the signals that make up the system. It is connected to the **SCT-61M** translation microphones and/or the **SCT-122M** translation bases and, in turn, to the IR **IR-600T** radiators that distribute the signal throughout the room. Finally, this signal emitted by the radiators is picked up by the **SCT-6R** IR receivers from which attendees can select among the 6 available languages (including the original language of the speaker).

The most important features of the wireless system are described below:

SCT-600 Simultaneous translation transmitter.

- Simultaneous translation system control unit.
- With automatic volume controls.

SCT-61M - Desktop microphone for 1 interpreter

- With integrated microphone and speaker. And the ability to use external headphones and microphones.
- Buttons for direct selection of the channel to be listened to and the translation output channel. It is possible to listen to other translators in real time.
- It features multiple circuits that enhance audio quality with volume controls, feedback suppressors and a quick microphone mute function (MUTE).

SCT-122M - Desktop base for 2 interpreters

- Allows interpreters to easily take over for each other during translation.
- Easy selection of the listening channel and the outgoing translation channel. It is possible to listen to other translators in real time.
- It features multiple circuits that enhance audio quality with volume controls, feedback suppressors and a quick microphone mute function (COUGH).

IR-600T - IR radiator for simultaneous translation

- Provides large signal coverage, up to 600 m² with a single radiator. This coverage can be extended by cascading additional radiators.
- Automatic gain control circuit.
- It can be placed on any surface, on a wall (with the supplied mount), on a ceiling or on the floor (it must be placed elevated above the floor with a tripod-type mount).

SCT-6R - IR receiver for simultaneous translation

- Simple and intuitive receiver operation.
- With information display that allows you to easily select among the 6 languages, check battery status, volume and received signal level.

SCT-16M - Transport case for 16 x SCT-6R receivers

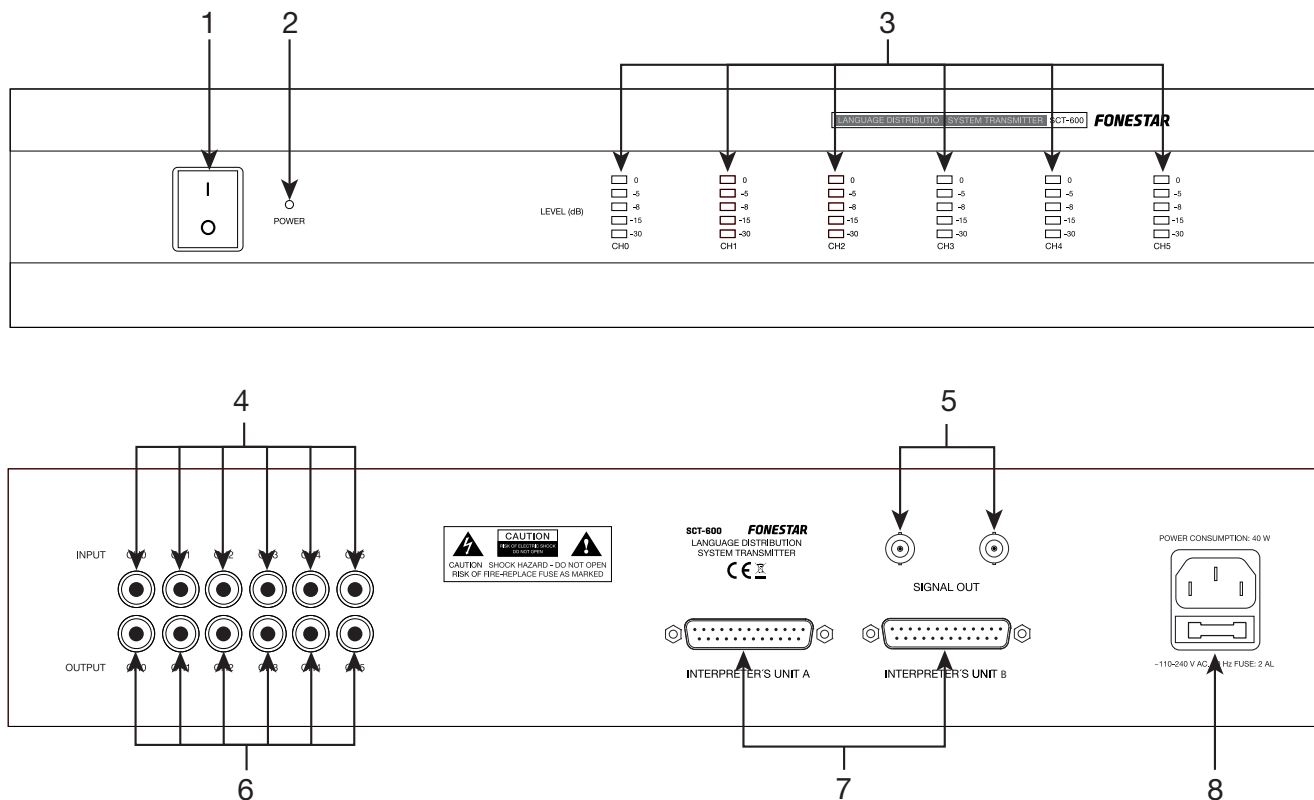
- Carrying case with reinforced structure for greater durability with capacity for 16 **SCT-6R** receivers.

SCT-24CH - Transport case for 24 x SCT-6R receivers

- Case and battery charger with reinforced structure with capacity for 24 **SCT-6R** receivers .
- With wheels and handle for easy transport.

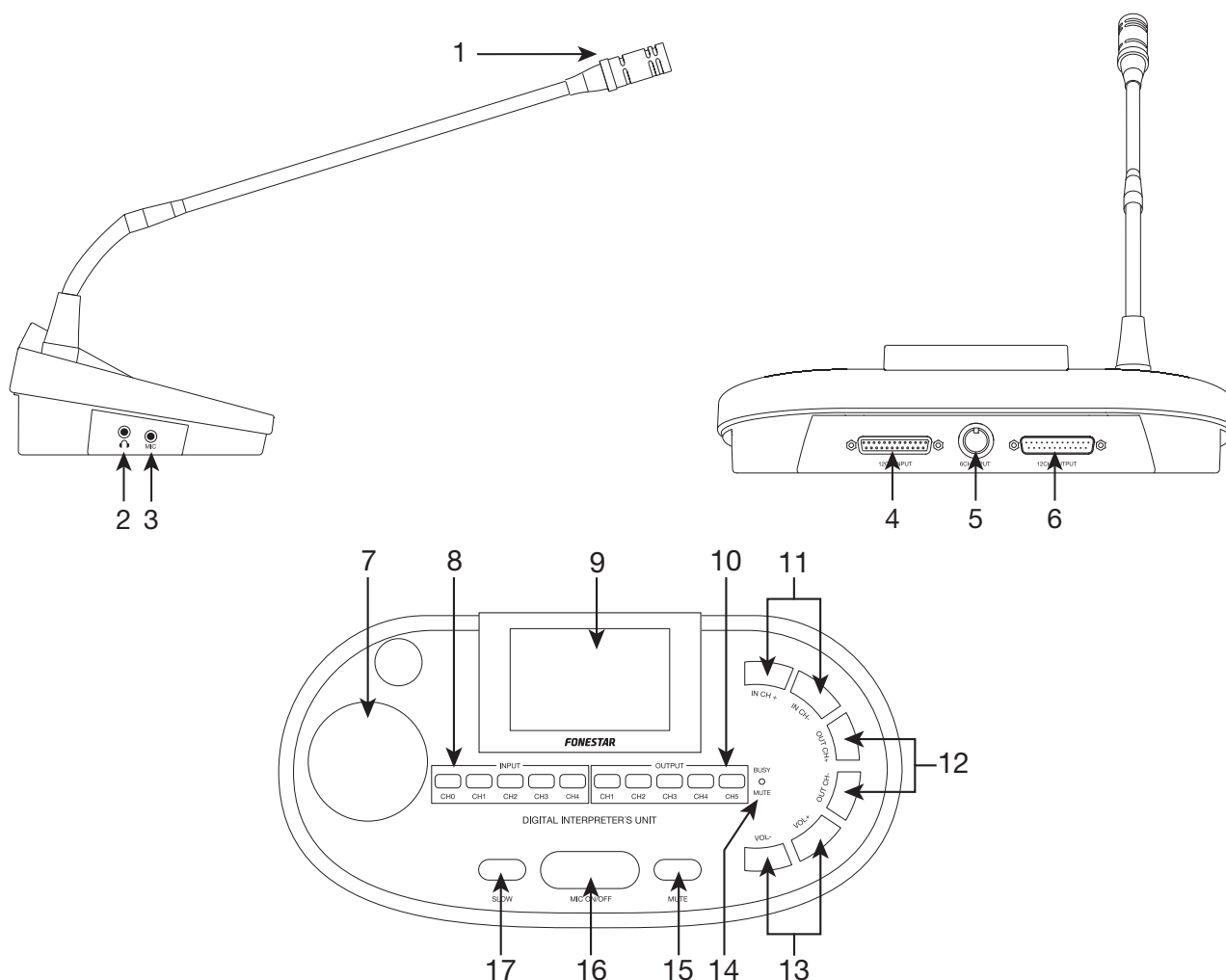
CONTROLS AND FUNCTIONS

SCT-600 - SIMULTANEOUS TRANSLATION SYSTEM



- 1.- **POWER:** on/off system switch.
- 2.- Amplifier power on indicator light.
- 3.- **LEVEL (dB):** lights indicating the signal level of each channel.
NOTE: CH0 is normally used for the original language.
- 4.- **INPUT:** auxiliary audio inputs, RCA connector. The CH0 input is often used to input the original language from a conference system or amplifier.
- 5.- **SIGNAL OUT 1/2:** signal outputs for connection to **IR-600T**, radiators, BNC connectors.
SIGNAL OUT 1 or 2 must be connected to SIGNAL IN of the radiator. For greater coverage it is possible to connect more than 1 radiator in cascade (SIGNAL OUT of one radiator with SIGNAL IN of the next radiator).
- 6.- **OUTPUT:** audio outputs of each of the languages independently, RCA connector.
- 7.- **INTERPRETER'S UNIT A/B:** input and output signals for connection of interpretation units, **SCT-61M** and/or **SCT-122M**. In these connectors it is possible to connect up to a maximum of 5 cascade units per connector.
- 8.- Power input 110-240 V AC.

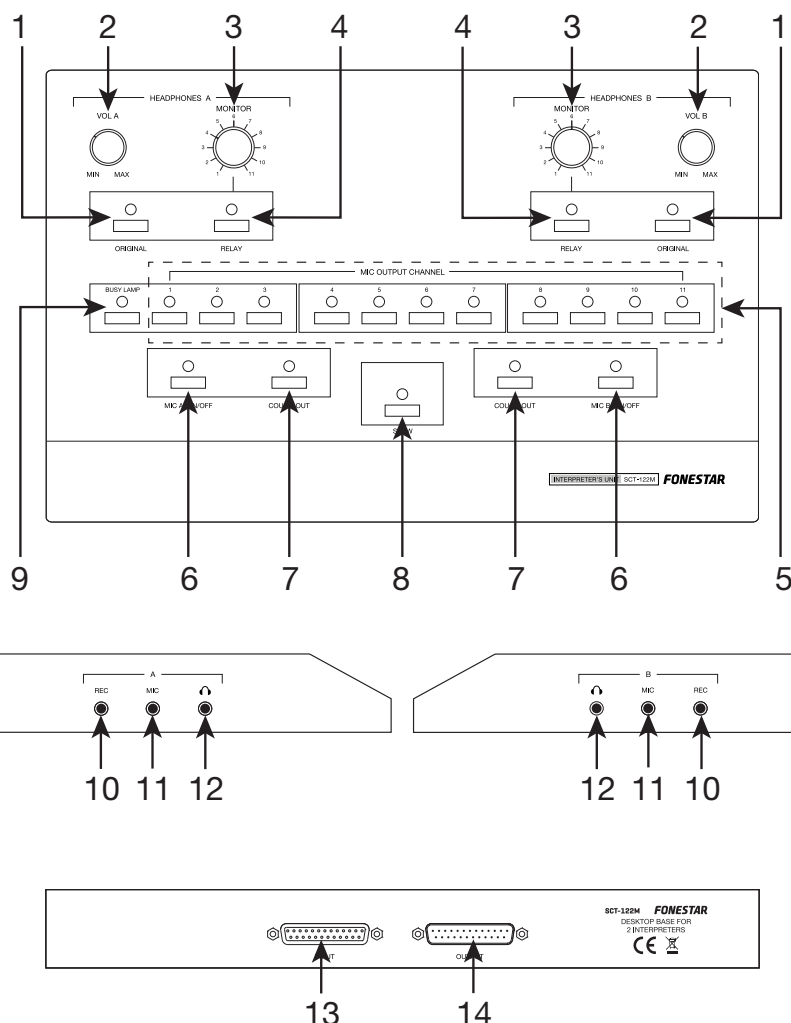
SCT-61M - DESKTOP MICROPHONE FOR 1 INTERPRETER



- 1.- Operation light ring.
- 2.- : headphone output, 3.5 mm jack plug.
- 3.- **MIC**: input for external microphone, 3.5 mm jack plug.
- 4.- **12CH INPUT**: input port for connection to the main unit **SCT-600** or OUTPUT connector of other interpretation units **SCT-61M** and/or **SCT-122M**. DB25 connector.
- 5.- **6CH INPUT**: no function.
- 6.- **12CH OUTPUT**: output port for cascading to the INPUT of other **SCT-61M** and/or **SCT-122M**. DB25 connector.
- 7.- Speaker.
- 8.- **INPUT**: button panel for direct selection of the channel to be listened to. It is possible to listen to the original language (CH0) or other interpreters (CH1-CH5).
- 9.- Information display.
- 10.- **OUTPUT**: button panel for direct selection of the channel on which to transmit the translation.
- 11.- **IN CH-/IN CH+**: decrease/increase the number of the channel to listen to. It is possible to listen to the original language or other interpreters.
- 12.- **OUT CH-/OUT CH+**: decreases/increases the number of the channel on which to transmit the translation.
- 13.- **VOL-/VOL+**: reduces/increases the volume of the speaker/headphones.
- 14.- **BUSY/MUTE**: dual function indicator light.
 - MUTE (green): the led remains lit green while the microphone is ON and the MUTE button is pressed.
 - BUSY (red): the led will turn red when we try to activate our microphone for a channel in use by another interpreter (with their microphone active). This functionality works only between **SCT-61M** microphones.

- 15.- **MUTE**: holding down this button allows the microphone to be muted.
- 16.- **MIC ON/OFF**: turns the microphone on/off.
- 17.- **SLOW**: send a visual alert to another **SCT-61M** microphone for slower speech. This functionality works only for **SCT-61M** microphones connected to the system.

SCT-122M - DESKTOP BASE FOR 2 INTERPRETERS

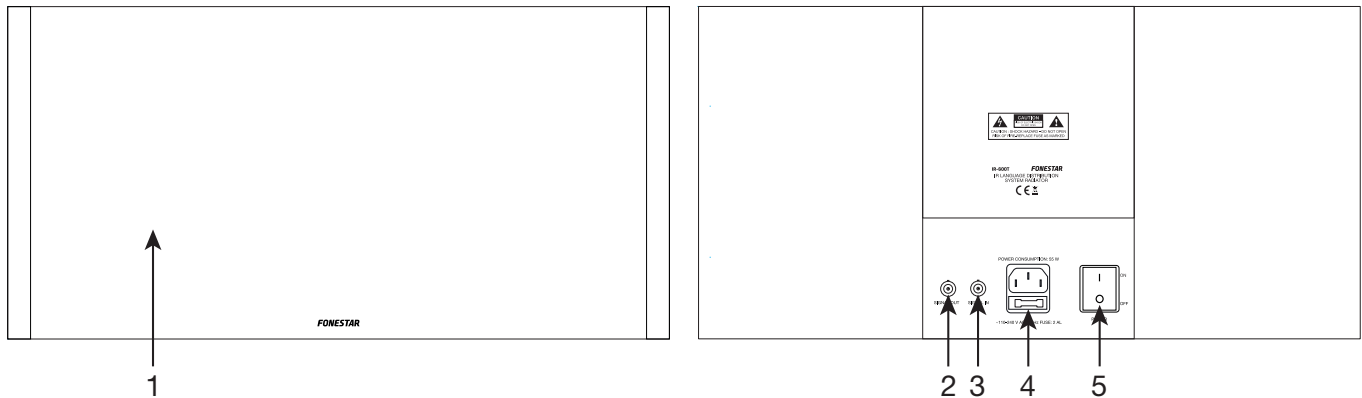


- 1.- **ORIGINAL**: light indicator and button that activates the audio of the original language (CH 0).
- 2.- **A/B VOL**: volume controls for the respective headphone outputs.
- 3.- **MONITOR A/B**: independent controls that allow you to select and listen to other translation channels (different from the original language) via headphone output A and B.
- 4.- **RELAY A/B**: indicator light and button that activates listening to channels other than the original channel. Press this button and then make your selection with the MONITOR dial.
- 5.- **MIC OUTPUT CHANNEL**: channel status indicators and quick channel selection button to transmit the translation.
- 6.- **MIC A ON/OFF, MIC B ON/OFF**: light indicators and buttons to turn on/off microphones A and B respectively.
- 7.- **COUGH OUT**: allows the microphone to be muted while this button is pressed; the indicator light will remain on to indicate that this function is active.
- 8.- **SLOW**: no function.
- 9.- **BUSY LAMP**: the led will light red when we try to select a channel selected by another interpreter. This functionality works only between **SCT-122M** translation bases.
- 10.- **REC A/B**: aux output for the recording of interpreter A or B, 3.5 mm jack plug.
- 11.- **MIC A/B**: input for external microphone, 3.5 mm jack plug.
- 12.- \cap : headphone output. The signal you hear will depend on the selection of the ORIGINAL or MONITOR+RELAY controls. 3.5 mm jack plug.

13.- **INPUT**: input port for connection to the main unit **SCT-600** or OUTPUT connector of other interpretation units **SCT-61M** or **SCT-122M**. DB25 connector.

14.- **OUTPUT**: output port for cascading to the INPUT of other **SCT-61M** or **SCT-122M**. DB25 connector.

IR-600T - RADIATOR FOR SIMULTANEOUS TRANSLATION

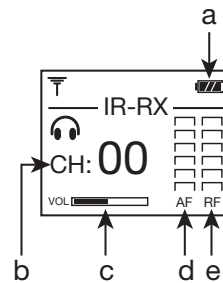


- 1.- IR radiator panel.
- 2.- **SIGNAL OUT**: output connector for cascading connection to the SIGNAL IN input of another **IR-600T** radiator. BNC connector.
- 3.- **SIGNAL IN**: input connector for connection with **SCT-600** main unit SIGNAL OUT connector of another **IR-600T** radiator. BNC connector.
- 4.- Power input 110-240 V AC.
- 5.- **POWER**: on/off radiator switch.

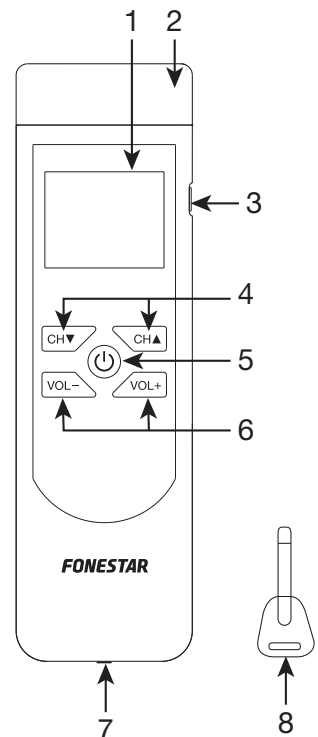
SCT-6R - RECEIVER FOR SIMULTANEOUS TRANSLATION

- 1.- Information display.

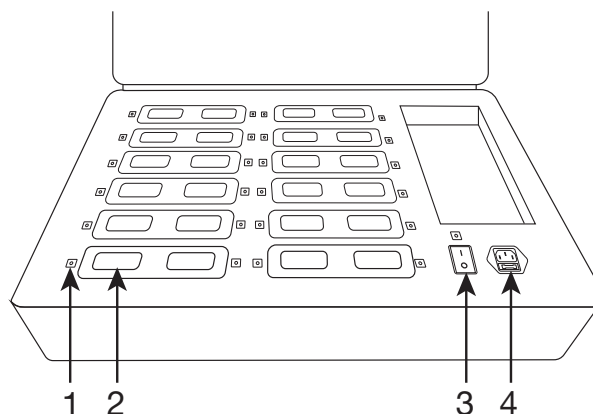
- a.- Battery level.
- b.- **CH**: tuned channel.
- c.- **VOL**: volume/mute.
- d.- **AF**: audio signal level.
- e.- **RF**: radio frequency signal level.



- 2.- IR receiver that captures the signal emitted by the radiators **IR-600T**.
- 3.- Headphone output, 3.5 mm jack.
- 4.- **CH+ / CH-**: buttons to select the desired channel (language).
- 5.- **⏻**: on/off button for the receiver.
- 6.- **VOL+ / VOL-**: buttons for selecting the headphone output volume.
- 7.- Opening for security key to access the receiver batteries.
- 8.- Security key for opening the battery holder.



SCT-24CH - TRANSPORT CASE FOR 24 x SCT-6R RECEIVERS



- 1.- Charging indicator lights. When it flashes red it indicates that the device is charging, when it remains lit green the device is charged.
- 2.- **SCT-6R** Receiver charging Slot .
- 3.- **POWER**: transport case on/off switch and indicator light.
- 4.- Input 110-240 V AC.

OTHER SETTINGS

SCT-61M - Desktop microphone for 1 interpreter

SCREEN CONTRAST

NOTE: the buttons listed below are from the INPUT section.

- 1.- With the microphone turned off (MIC OFF), press the CH 0 and CH 1 buttons simultaneously. The display will show the message CONTRAST SETTING.
- 2.- Modify the contrast value with the same 2 buttons: CH 0 to decrease and CH 1 to increase.
- 3.- Save the settings by pressing CH 4.

ADD LANGUAGE IDENTIFIER TO CHANNELS

It is possible to assign a label to each channel to identify the language with ease. This information is specific to each **SCT-61M** unit and will be displayed together with the channel numbers selected in CH INPUT and CH OUTPUT.

NOTE: the buttons listed below are from the INPUT section.

- 1.- With the microphone turned off (MIC OFF), press the CH 0 and CH 2 buttons simultaneously. The display will show the message "CH & LAN set".
- 2.- Select the channel to configure: CH0 to decrease the channel and CH 1 to increase it.
- 3.- Select the language identifier by scrolling through the existing list, using the CH 2 and CH 3 buttons.

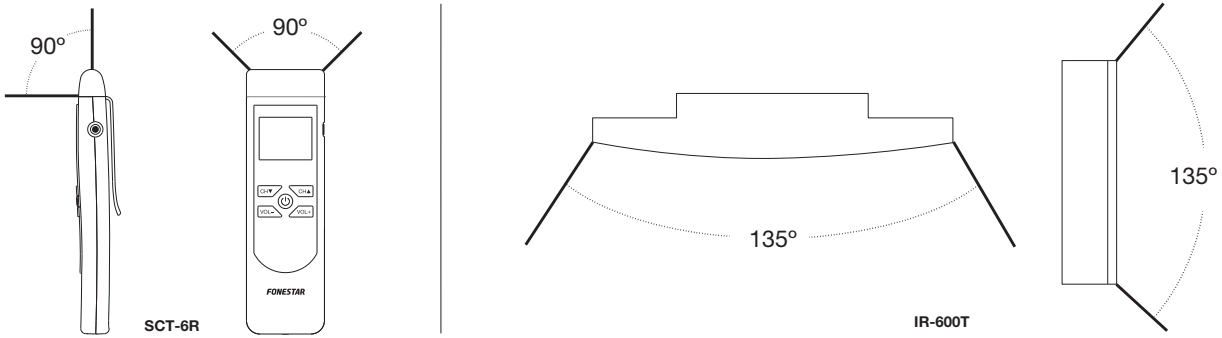
—	No language	FI	Finnish	NL	Dutch	SV	Swedish
EN	English	FR	French	NO	Norwegian	TH	Thai
AR	Arabic	HR	Croatian	PL	Polish	TR	Turkish
DA	Danish	HU	Hungarian	PT	Portuguese	UK	Ukrainian
DE	German	IT	Italian	RO	Romanian	CN	Chinese
EL	Greek	JA	Japanese	RU	Russian		
ES	Spanish	KO	Korean	SR	Serbian		

- 4.- Repeat steps 2 and 3 for all the channels to which you wish to assign a language identifier.
- 5.- Save the settings by pressing CH 4.

Infrared signal transmission and reception coverage

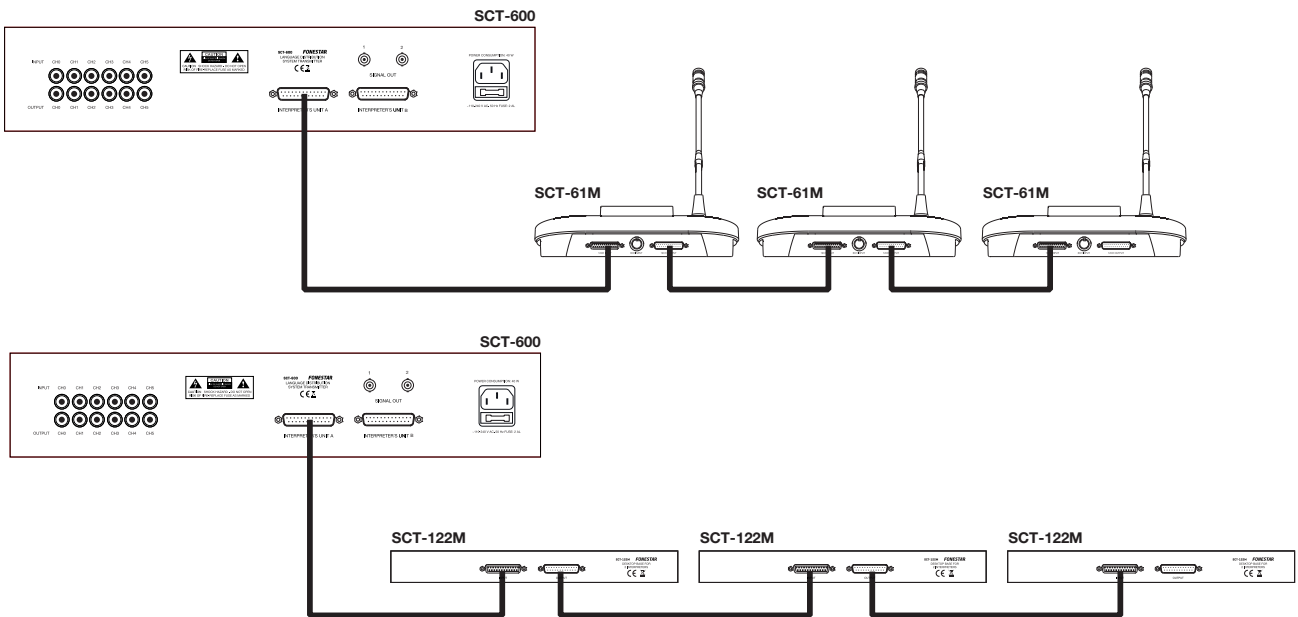
- The **IR-600T** radiator emits an infrared signal to be captured by **SCT-6R** receivers directly (recommended) or reflected on other surfaces.
- Both devices have a large angle of coverage and signal capture when installing the equipment is important to take into account their optimal angles. At angles greater than those indicated will continue to transmit and receive, but with less intensity:
 - **SCT-6R**: provides better signal acquisition at 90°, in the vertical and horizontal planes.
 - **IR-600T**: provides better signal radiation at 135°, in both horizontal and vertical planes.

NOTE: it is recommended that the radiators be installed at a height sufficient enough to allow a direct signal to reach the audience without any interference with seats or other elements of the room.



WIRING

Connection cable for SCT-61M and STC-122M translation units

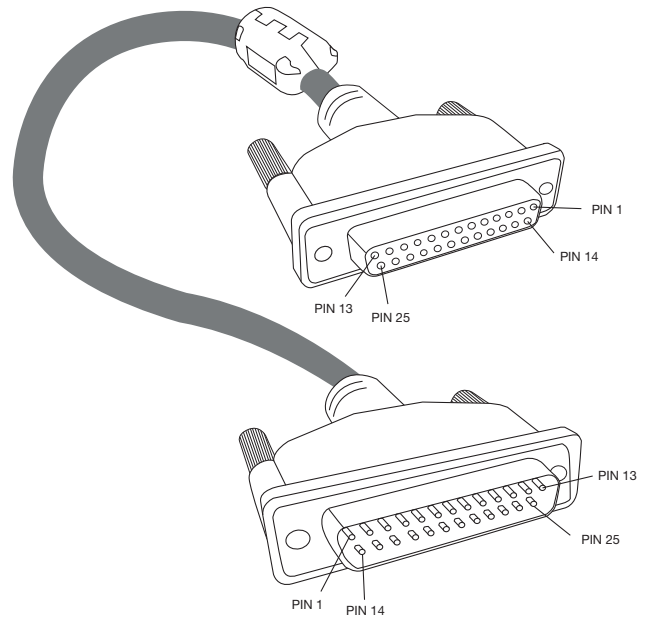


This equipment is supplied with a 10 meter long DB25 cable that can support up to 5 cascaded translation units. Increasing this length cannot ensure the proper functioning of 5 units.

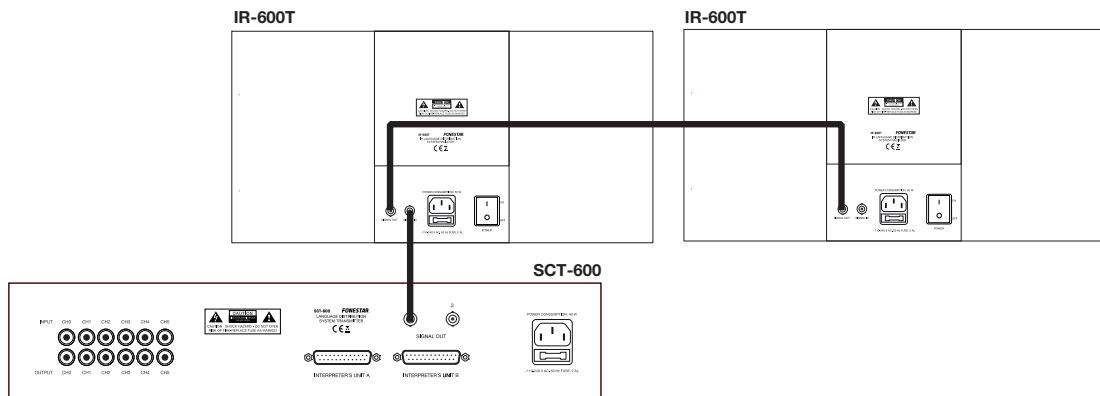
The variations in the length of this DB25 cable, as a rule, follow the following ratio: 30 meters will be able to support 4 translation units and 50 meters will be able to support 2 translation units. This data is subjective and may vary due to several factors: cable quality, cable and connector construction, and environmental characteristics of the installation site.

This cable has a straight connection between its ends, the PIN1 of the male connector corresponds to the PIN1 of the female connector, the PIN2 with the PIN2 of the other end, etc. And it is advisable to place ferrites near the connectors to eliminate interference on the cable.

A CONNECTOR DB25	FUNCTION	B CONNECTOR DB25
Pin 1	CH 0	Pin 1
Pin 2	CH 1	Pin 2
Pin 3	CH 2	Pin 3
Pin 4	CH 3	Pin 4
Pin 5	CH 4	Pin 5
Pin 6	CH 5	Pin 6
Pin 7	CH 6	Pin 7
Pin 8	CH 7	Pin 8
Pin 9	CH 8	Pin 9
Pin 10	CH 9	Pin 10
Pin 11	CH 10	Pin 11
Pin 12	CH 11	Pin 12
Pin 13	RS485B	Pin 13
Pin 14	NC	Pin 14
Pin 15 -19	GND	Pin 15 -19
Pin 20 -23	+24 V CC	Pin 20 -23
Pin 24	NC	Pin 24
Pin 25	RS485A	Pin 25



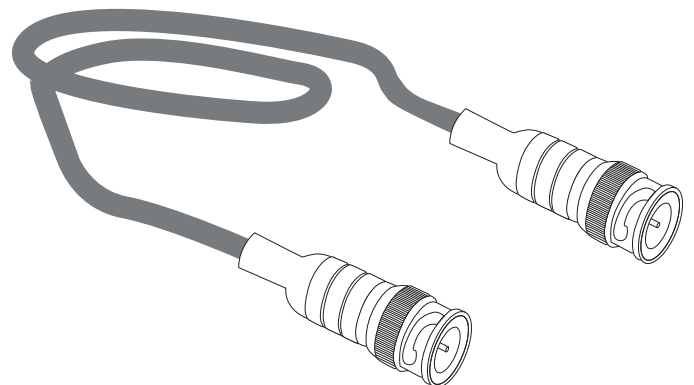
Connection cable for IR-600T radiators



These devices are supplied with a 10 metre long BNC cable.

If your installation requires a longer cable you will need a 50 Ω shielded coaxial cable up to 100 meters long with BNC connectors. Bearing in mind that if you cascade more than one **IR-600T** radiator , the total length of all cables in the line must not exceed 200 meters to ensure proper operation.

IMPORTANT: do not install these cables near strong electromagnetic fields.



INSTRUCTIONS FOR USE

- 1.- Connect all equipment in the system as indicated in the CONNECTION section and turn them on.
- 2.- Configure the system microphones.

IMPORTANT: This system is configured so that **SCT-6R** receivers can receive up to 6 channels (0: original language, 1-5: translations).

 - a.- (**SCT-61M** only) Perform the additional previous configurations as described in the OTHER CONFIGURATIONS section.
 - b.- Select the channel you want to listen to through the docking speaker (**SCT-61M** only) or through the headphone output.
 - **SCT-61M**
Press the corresponding channel button in the INPUT CH 0-CH 4 section or with the IN CH-/IN CH+ buttons to decrease/increase the selected channel. Finally, modify the volume using the VOL-/VOL+ buttons to decrease/increase the volume respectively.
 - **SCT-122M**
To listen to the original audio (CH 0) press the ORIGINAL button; if you want to listen to another of the translated languages press the RELAY button and turn the MONITOR selector to select the channel: 1 for CH 1, 2 for CH 2, etc. Finally, modify the volume by turning the VOL A and/or VOL B rotary control.
 - c.- Select the channel to broadcast your language.
 - **SCT-61M**
Press the corresponding channel button in the OUTPUT CH 1-CH 5 section or with the OUT CH-/OUT CH+ buttons to decrease/increase the selected channel from CH 1 to CH 5. If the channel you have selected is currently being used by another **SCT-61M** microphone, the BUSY indicator light will turn red when you try to activate your microphone, warning that the channel is busy and preventing you from using the channel.
 - **SCT-122M**
Press the corresponding channel button in the MIC OUTPUT CHANNEL CH 1-CH 5 section. If the selected channel has already been selected on another **SCT-122M** microphone, regardless of whether the microphone is active or not, the BUSY LAMP indicator light will light red, warning that the channel is busy and preventing the channel from being used.
- 3.- Configure the **SCT-6R** receivers and verify that they receive the signal correctly.
 - a.- Connect the headphones.
 - b.- Turn on the receiver by long pressing the button ϕ and place yourself in the signal coverage area provided by the **IR-600T** radiators.
 - c.- Select the channel with the CH▼/ CH▲ buttons.
 - d.- Modify volume using the VOL-/VOL+ buttons. If you need to mute the audio at any one time, short press the button ϕ .
- 4.- Operation of the microphones.
 - **SCT-61M**
 - a.- With the microphone already set up, press MIC ON/OFF to turn the microphone on/off.
 - b.- When the microphone is on, you can momentarily mute it as long as you press and hold the MUTE button. The MUTE indicator will glow green during activation of this feature.
 - c.- Another **SCT-61M** microphone can send you a SLOW signal to tell you to speak slower. This notice will be sent to the translation unit you have selected as the audio input of your translation unit (INPUT) as long as it is **SCT-61M** as well. When you press the SLOW button on your microphone, the translation unit that is transmitting on that channel will display the word SLOW and the red ring of the microphone will flash for a few seconds.

- **SCT-122M**

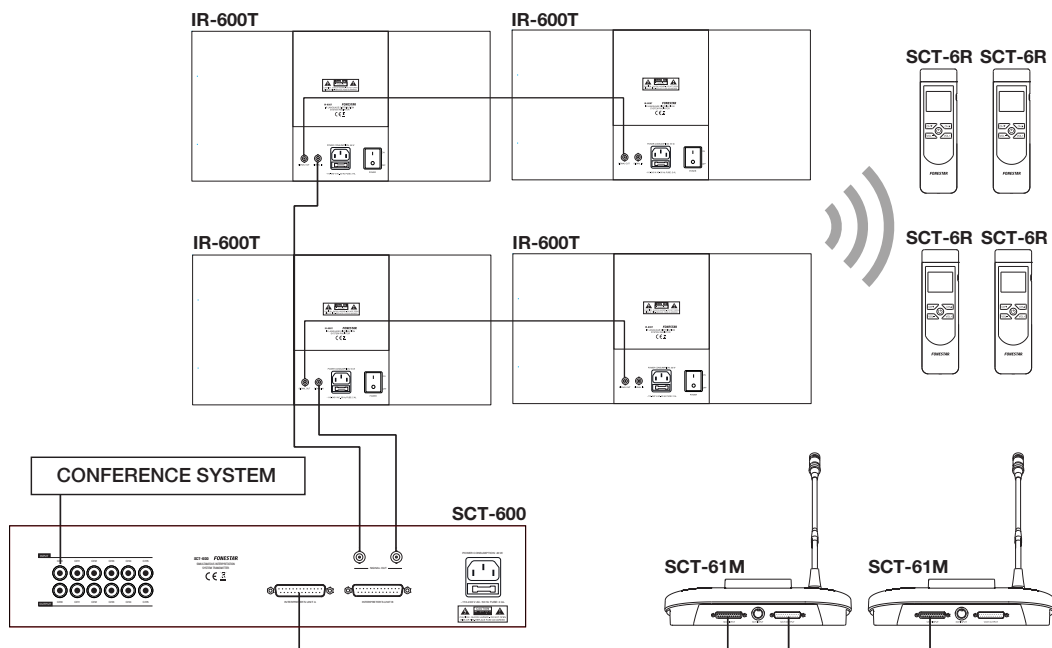
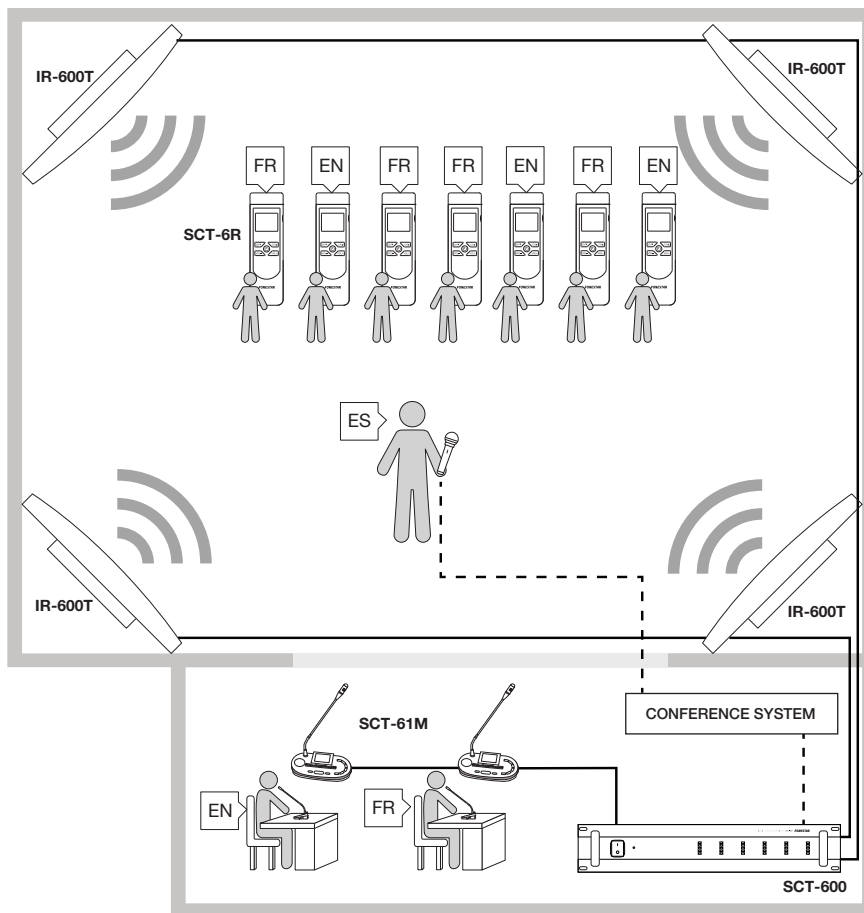
- a.- With the microphone already set up, press MIC A ON/OFF or MIC B ON/OFF to turn the microphone on/off. MIC A and MIC B cannot be active simultaneously. When you activate A, B will automatically deactivate and vice versa.
- b.- When the microphone is turned on, you can momentarily mute it as long as you press and hold the COUGH OUT button. The indicator light above this button will illuminate during activation of this function.

CONNECTION

- Install all equipment taking into account:
 - The maximum cable lengths. For more information, please refer to the WIRING section.
 - Radiation and signal pick up factors. For more information, please refer to the OTHER SETTINGS section.
- Connect the radiators. Connect SIGNAL OUT 1 or 2 from **SCT-600** to SIGNAL IN from the first radiator in the line. If you are going to install more radiators, connect them in cascade by connecting the SIGNAL OUT output of one radiator to the SIGNAL IN input of the next radiator.
- Connect the main audio source. Connect the computer with the main audio to the IN CH 0 input on the rear panel of the **SCT-600**.
- Connect the audio sources. In this system it is possible to input the audio into each channel via external devices or via the translation units:
 - Using external devices. Connect the device with the main audio to the IN CH 1 - CH 5 input on the rear panel of the **SCT-600**.
 - Using translation units. Connect INTERPRETER'S UNIT A and/or B of the **SCT-600** to INPUT of the first translation unit **SCT-61M** and/or **SCT-122M**. Or connect the SCT-61M or SCT-122M translation units to each other, connecting the OUTPUT outputs to the INPUT of the next one, up to a maximum of 5 elements per line.

IMPORTANT: FONESTAR recommends using only one type of translation units in your installation to ensure optimal operation of the BUSY function.
- If you want to send the audio independently to other systems, connect them to the corresponding OUT CH 0 - CH 5 outputs on the rear panel of the **SCT-600**.
- Connect the power cable of the radiators **IR-600T** and the translation transmitter **SCT-600**. And **SCT-6R** receivers have charged batteries.
- Turn on **SCT-600**, **IR-600T** and **SCT-6R** (**SCT-122M** and **SCT-61M** are powered by the cable that connects them to the **SCT-600**).
- Configure the output and input channels in each interpretation unit. For more information, please refer to the INSTRUCTIONS FOR USE section.
- Remember to turn off all devices when not in use and perform maintenance and cleaning accordingly.

INSTALLATION EXAMPLE



TECHNICAL SPECIFICATIONS

SCT-600	
FEATURES	SCT simultaneous interpretation system transmitter. Up to 5 languages besides the original language. Up to 10 x SCT-61M or SCT-122M microphones can be connected in cascade. Automatic control of output volume. Built in compliance with IEC 60914 Conference Systems and IEC 61603-7 Transmission Systems standards.
RESPONSE	100-14,000 Hz
INDICATORS	Output level in each channel
INPUTS	6 lines, RCA 18,000 Ω 2 V V
OUTPUTS	6 lines, RCA 600 Ω 1 V 2 radiators, BNC 50 Ω 2 interpretation units, DB25
S/N RATIO	> 75 dB
POWER SUPPLY	110-240 V AC, 40 W
DIMENSIONS	483 x 89 x 355 mm depth
ACCESSORIES	10 m interconnection cable for interpretation units, DB25 2 x audio cables, 6.3 mm mono jack to RCA

SCT-61M	
FEATURES	Desktop microphone with gooseneck for interpretation. Input and output channel selection. Mute (cough) function. Monitor speaker. Information display. Cascade connection. LED operating ring.
INPUTS	1 external microphone, 3.5 mm stereo jack 1 interconnection with control unit, DB25 and DIN13
OUTPUTS	1 headphone, 3.5 mm stereo jack 1 interconnection, DB25
DIMENSIONS	Gooseneck microphone: 425 mm Base: 278 x 65 x 140 mm depth
ACCESSORIES	Headset 3 m interconnection cable, DB25

SCT-122M	
FEATURES	Desktop base for two interpretation microphones in the same output channel. Input and output channel selection. Mute (cough) function. Cascade connection.
INPUTS	2 microphones, 3.5 mm stereo jack 1 interconnection cable, DB25
OUTPUTS	2 headphones, 3.5 mm stereo jack 2 rec out, 3.5 stereo jack 1 interconnection cable, DB25
DIMENSIONS	330 x 65 x 200 mm depth
ACCESSORIES	10 m interconnection cable, DB25 2 Headphones with microphone

IR-600T	
FEATURES	IR radiator for SCT simultaneous translation system. Covered area of up to 600 m ² per radiator.
INPUTS	Signal In, BNC, for connection with the transmitter Recommended 50 Ohm shielded coaxial cable, RG-58. Maximum length of a single cable is 100 m. If there are more cables with more receivers, the total length must not exceed 200 m.
OUTPUTS	Signal Out, BNC, for cascading with other IR-600T radiators
OUTPUT POWER	25 W
RANGE	Up to 30 m
DISPERSION	135°
POWER SUPPLY	110-240 V AC, 55 W
DIMENSIONS	440 x 232 X 125 mm deep
ACCESSORIES	Wall mount bracket Interconnect cable, BNC

SCT-6R	
FEATURES	IR receiver for SCT simultaneous translation system. 6 selectable channels. Simple and intuitive operation. Horizontal and vertical reception angle 90°. Information display.
CONTROLS	Power on Channel selection Volume
OUTPUTS	1 headphones, 3.5 mm stereo jack
POWER SUPPLY	3 x 800 mAh AAA-R03 batteries, included Integrated recharge function via SCT-24CH charging station
DIMENSIONS	155 x 45 x 20 mm
ACCESSORIES	Mono headphones Hanger for receiver

SCT-16M	
FEATURES	Transport case for 16 SCT-6R receivers.
DIMENSIONS	380 x 110 x 400 mm depth

SCT-24CH	
FEATURES	Recharge docking station for 24 SCT-6R receivers. Reinforced structure and wheels for transporting.
RECHARGE TIME	3 to 6 hours
POWER SUPPLY	110/240 V AC 200 W
DIMENSIONS	625 x 285 x 365 mm depth

DESCRIPCIÓN

- Sistema de traducción simultánea con transmisión mediante radiadores IR, con capacidad de control de 5 idiomas, además del idioma original.
- Permite la traducción y distribución de hasta 6 idiomas diferentes simultáneamente y de forma inalámbrica a través de tecnología de infrarrojos.
- Diseñado para no interferir con sistemas de iluminación y, así, proporcionar una gran calidad de sonido.
- Este sistema se compone de una unidad principal **SCT-600** que controla todas las señales que componen el sistema. Esta se encuentra conectada a los micrófonos de traducción **SCT-61M** y/o las bases de traducción **SCT-122M** y, a su vez, a los radiadores IR **IR-600T** que distribuyen la señal por la sala. Para finalizar la función del sistema de traducción, la señal emitida por los radiadores es captada por los receptores IR **SCT-6R** desde los que los asistentes podrán seleccionar entre los 6 idiomas disponibles (incluyendo el idioma original del hablante).

Las características más importantes del sistema se describen a continuación:

SCT-600 - Transmisor de traducción simultánea

- Unidad de control del sistema de traducción simultánea.
- Con controles automáticos de volumen.

SCT-61M - Micrófono de sobremesa para 1 traductor

- Con micrófono de flexo y altavoz integrado. Y posibilidad de utilizar auriculares y micrófono externos.
- Botones de selección directa del canal a escuchar y del canal de salida de la traducción. Es posible escuchar a otros traductores en tiempo real.
- Dispone de múltiples circuitos que mejoran la calidad de audio con controles de volumen, supresores de realimentación y función para silenciar micrófono rápidamente (MUTE).

SCT-122M - Base de sobremesa para 2 traductores

- Permite a los traductores relevarse fácilmente durante la traducción.
- Fácil selección del canal a escuchar y del canal de salida de la traducción. Es posible escuchar a otros traductores en tiempo real.
- Dispone de múltiples circuitos que mejoran la calidad de audio con controles de volumen, supresores de realimentación y función para silenciar micrófono rápidamente (COUGH).

IR-600T - Radiador IR para traducción simultánea

- Proporciona gran cobertura de señal, hasta 600 m² con un único radiador. Esta cobertura puede ampliarse con la conexión en cascada de más radiadores.
- Circuito de control de ganancia automático.
- Puede colocarse en cualquier superficie, en pared (con el soporte suministrado), en techo o en el suelo (debe ser colocado elevado del suelo con un soporte tipo trípode).

SCT-6R - Receptor IR de traducción simultánea

- Receptor de manejo sencillo e intuitivo.
- Con pantalla de información que permite seleccionar entre los 6 idiomas fácilmente, conocer el estado de la batería, volumen y nivel de señal recibida.

SCT-16M - Maletín para 16 receptores SCT-6R

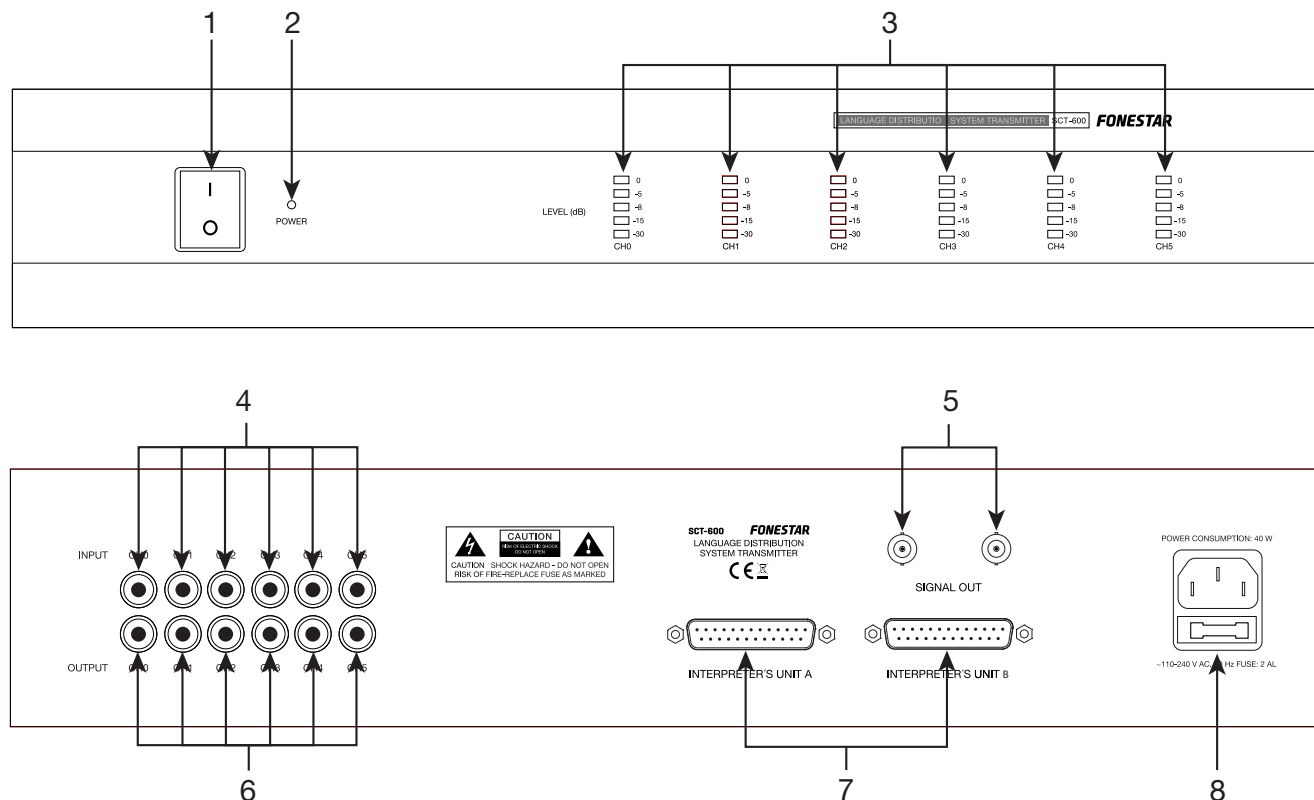
- Maletín de transporte con estructura reforzada con capacidad para 16 receptores **SCT-6R**.

SCT-24CH - Maletín para 24 receptores SCT-6R

- Maletín y cargador de baterías con estructura reforzada con capacidad para 24 receptores **SCT-6R**.
- Con ruedas y asa para facilitar su transporte.

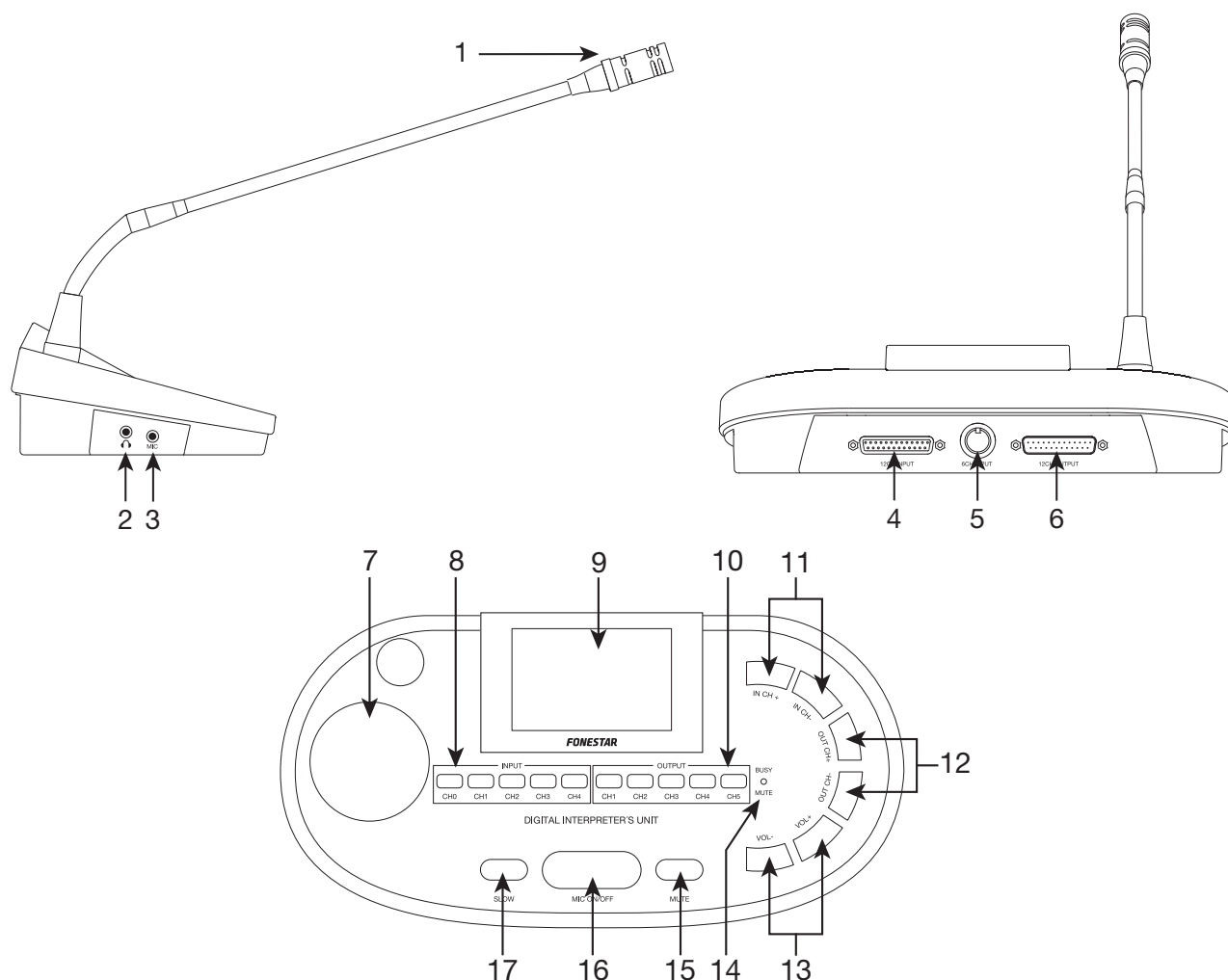
CONTROLES Y FUNCIONES

SCT-600 - TRANSMISOR DE TRADUCCIÓN SIMULTÁNEA



- 1.- **POWER:** interruptor de encendido/apagado del sistema.
- 2.- Indicador luminoso de encendido del amplificador.
- 3.- **LEVEL (dB):** indicadores luminosos del nivel de señal de cada uno de los canales.
NOTA: CH0 se utiliza habitualmente para el idioma original.
- 4.- **INPUT:** entradas auxiliares de audio, conector RCA. La entrada CH 0 frecuentemente utilizada para la entrada del idioma original proveniente de un sistema de conferencias o un amplificador.
- 5.- **SIGNAL OUT 1/2:** salidas de señal para la conexión con los radiadores **IR-600T**, conectores BNC. Debe conectar SIGNAL OUT, 1 o 2, a SIGNAL IN del radiador. Para mayor cobertura es posible conectar más de 1 radiador en cascada (SIGNAL OUT de un radiador con SIGNAL IN del siguiente radiador).
- 6.- **OUTPUT:** salidas de audio de cada uno de los idiomas de forma independiente, conector RCA.
- 7.- **INTERPRETER'S UNIT A/B:** entrada y salida de señales para conexión de unidades de traducción, **SCT-61M** y/o **SCT-122M**. En estos conectores es posible conectar hasta un máximo de 5 unidades en cascada por conector.
- 8.- Entrada de alimentación 110-240 V CA.

SCT-61M - MICRÓFONO DE SOBREMESA PARA 1 TRADUCTOR



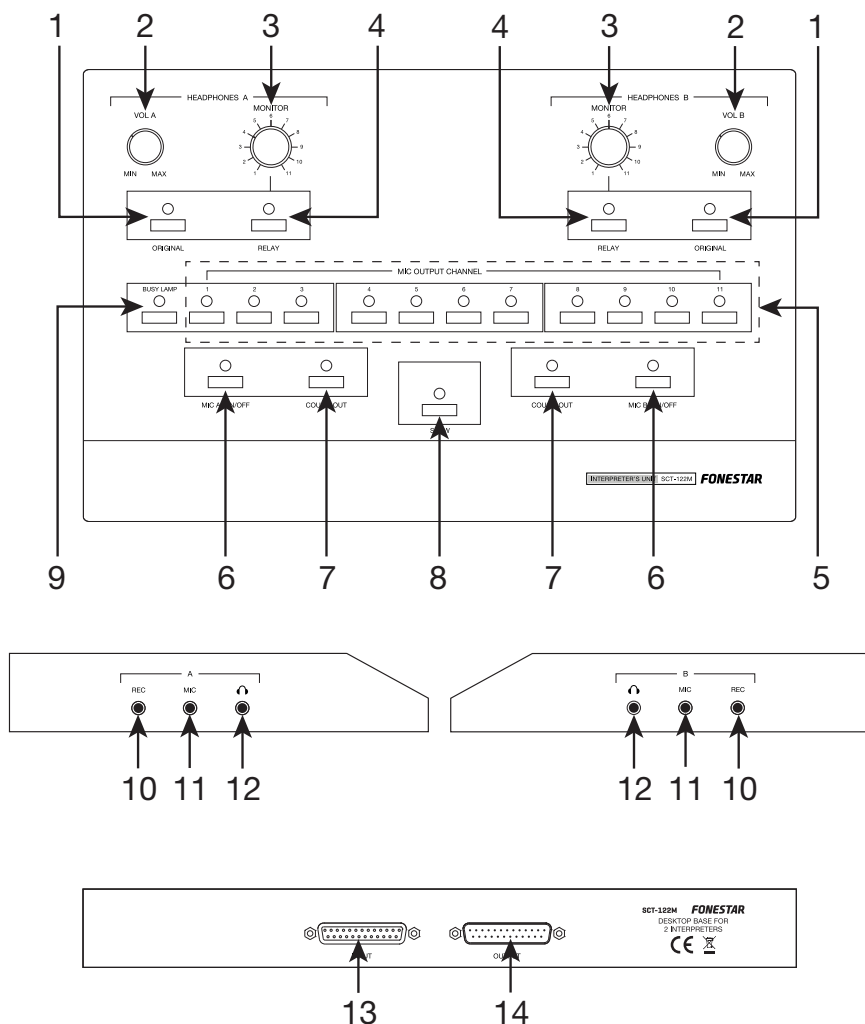
- 1.- Anillo luminoso de funcionamiento.
- 2.- : salida de auriculares, conector jack 3'5 mm.
- 3.- **MIC**: entrada para micrófono externo, conector jack 3'5 mm.
- 4.- **12CH INPUT**: puerto de entrada para conexión con unidad principal **SCT-600** o conector OUTPUT de otras unidades de traducción **SCT-61M** y/o **SCT-122M**. Conector DB25.
- 5.- **6CH INPUT**: sin función.
- 6.- **12CH OUTPUT**: puerto de salida para la conexión en cascada a la entrada INPUT de otras unidades de traducción **SCT-61M** y/o **SCT-122M**. Conector DB25.
- 7.- Altavoz.
- 8.- **INPUT**: botonera de selección directa del canal a escuchar. Es posible escuchar el idioma original (CH0) o a otros traductores (CH1-CH5).
- 9.- Pantalla de información.
- 10.- **OUTPUT**: botonera de selección directa del canal en el que transmitir la traducción.
- 11.- **IN CH-/IN CH+**: disminuye/aumenta el número del canal a escuchar. Es posible escuchar el idioma original o a otros traductores.
- 12.- **OUT CH-/OUT CH+**: disminuye/aumenta el número del canal en el que transmitir la traducción.
- 13.- **VOL-/VOL+**: reduce/aumenta el volumen del altavoz/auriculares.
- 14.- **BUSY/MUTE**: indicador luminoso con doble función.
 - MUTE (verde): el led permanece encendido en color verde mientras el micrófono está activado (ON) y se pulsa el botón MUTE.
 - BUSY (rojo): el led se encenderá en rojo cuando intentemos activar nuestro micrófono para un canal en uso por otro traductor (con su micrófono activo). Esta funcionalidad funciona sólo entre micrófonos **SCT-61M**.

15.- **MUTE:** permite silenciar el micrófono mientras este botón permanezca pulsado.

16.- **MIC ON/OFF:** activa/desactiva el micrófono.

17.- **SLOW:** permite enviar un aviso visual a otro micrófono **SCT-61M** para que hable más despacio. Esta funcionalidad funciona sólo para los micrófonos **SCT-61M** conectados al sistema.

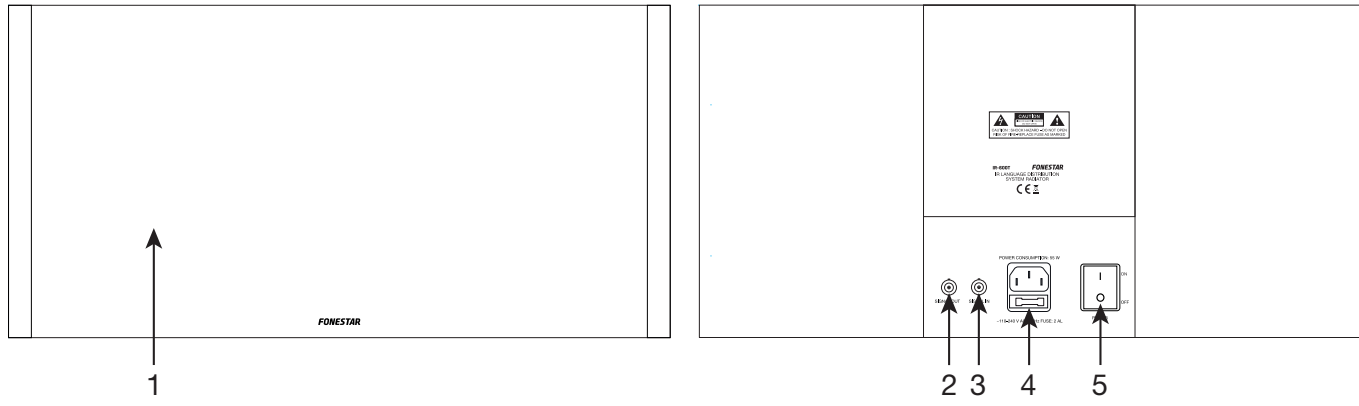
SCT-122M - BASE DE SOBREMESA PARA 2 TRADUCTORES



- 1.- **ORIGINAL:** indicador luminoso y botón que activa la escucha del idioma original (CH 0).
- 2.- **VOL A/B:** controles de volumen de las respectivas salidas auriculares.
- 3.- **MONITOR A/B:** control que permite seleccionar otros canales de traducción, que no sean el idioma original, para su escucha a través de la salida de auriculares A y B de forma independiente.
- 4.- **RELAY A/B:** indicador luminoso y botón que activa la escucha de otros canales que no son el original. Pulse este botón y, a continuación, seleccione con el control giratorio MONITOR.
- 5.- **MIC OUTPUT CHANNEL:** indicadores de estado de los canales y botonera de selección directa del canal en el que transmitir la traducción.
- 6.- **MIC A ON/OFF, MIC B ON/OFF:** indicadores luminosos y botones que permiten activar/desactivar los micrófonos A y B respectivamente.
- 7.- **COUGH OUT:** permite silenciar el micrófono mientras este botón permanezca pulsado; a su vez el indicador permanecerá encendido para indicar que esta función está activa.
- 8.- **SLOW:** sin función.
- 9.- **BUSY LAMP:** el led se encenderá en rojo cuando intentemos seleccionar un canal en seleccionado por otro traductor. Esta funcionalidad funciona sólo entre bases de traducción **SCT-122M**.
- 10.- **REC A/B:** salida auxiliar de grabación del intérprete A o B, conector jack 3'5 mm.
- 11.- **MIC A/B:** entrada para micrófono externo, conector jack 3'5 mm.
- 12.- \odot : salida para auriculares. La señal que se escuche dependerá de la selección de los controles ORIGINAL o MONITOR+RELAY. Conector jack 3'5 mm.

- 13.- **INPUT:** puerto de entrada para la conexión con unidad principal **SCT-600** o conector OUTPUT de otras unidades de interpretación **SCT-61M** o **SCT-122M**. Conector DB25.
- 14.- **OUTPUT:** puerto de salida para la conexión en cascada a la entrada INPUT de otras unidades de interpretación **SCT-61M** o **SCT-122M**. Conector DB25.

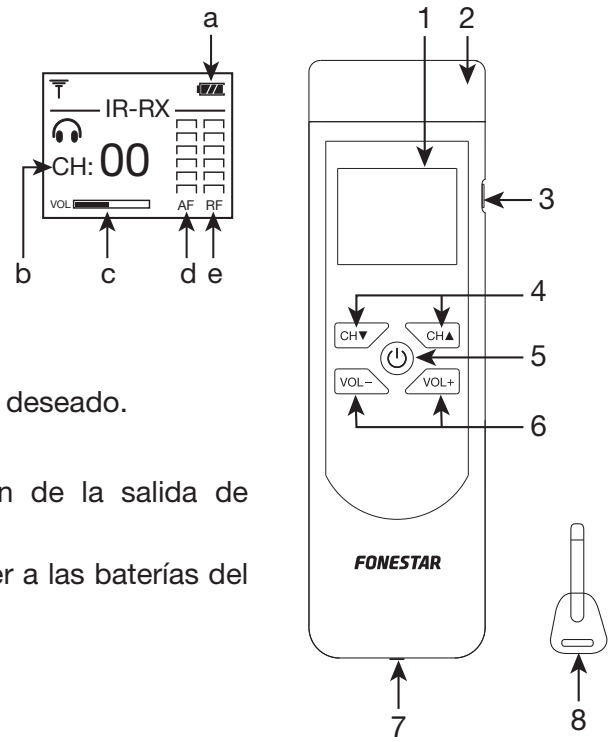
IR-600T - RADIADOR IR PARA TRADUCCIÓN SIMULTÁNEA



- 1.- Panel radiador de IR.
- 2.- **SIGNAL OUT:** conector de salida para la conexión encascada a la entrada SIGNAL IN de otro radiador **IR-600T**. Conector BNC.
- 3.- **SIGNAL IN:** conector de entrada para la conexión con unidad principal **SCT-600** conector SIGNAL OUT de otro radiador **IR-600T**. Conector BNC.
- 4.- Entrada de alimentación 110-240 V CA.
- 5.- **POWER:** interruptor de encendido/apagado del radiador.

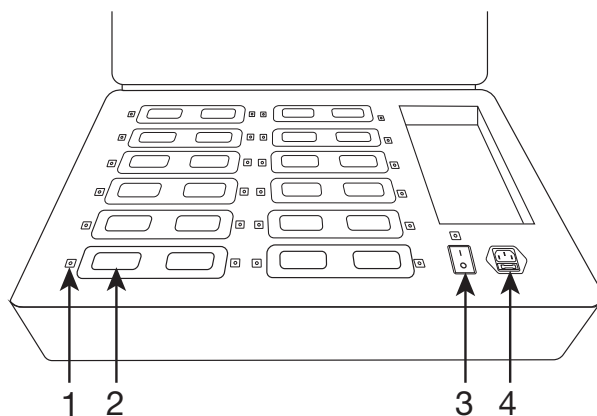
SCT-6R - RECEPTOR IR DE TRADUCCIÓN SIMULTÁNEA

- 1.- Pantalla de información.
 - a.- Nivel de batería.
 - b.- **CH:** canal sintonizado.
 - c.- **VOL:** volumen/silencio.
 - d.- **AF:** nivel de señal de audio.
 - e.- **RF:** nivel de señal de radiofrecuencia.
- 2.- Receptor IR para captar la señal emitida por los radiadores **IR-600T**.



- 3.- Salida de auriculares, conector jack 3'5 mm.
- 4.- **CH+/CH-:** botones para la selección de canal (idioma) deseado.
- 5.- Φ : botón de encendido/apagado del receptor.
- 6.- **VOL+/VOL-:** botones para la selección de volumen de la salida de auriculares.
- 7.- Orificio para la llave de seguridad que permite acceder a las baterías del receptor.
- 8.- Llave de seguridad para la apertura del portabaterías.

SCT-24CH - MALETÍN PARA 24 RECEPTORES SCT-6R



- 1.- Indicador luminoso de carga. Cuando parpadee en color rojo indicará que está cargando el dispositivo, cuando permanezca encendido en verde el dispositivo estará cargado.
- 2.- Ranura de carga del Receptor **SCT-6R**.
- 3.- **POWER**: interruptor e indicador luminoso de encendido/apagado del maletín.
- 4.- Entrada de alimentación 110-240 V CA.

OTRAS CONFIGURACIONES

SCT-61M - Micrófono de sobremesa para 1 traductor

CONTRASTE DE LA PANTALLA

NOTA: los botones indicados a continuación son de la sección INPUT.

- 1.- Con el micrófono desactivado (MIC OFF), pulse simultáneamente los botones CH 0 y CH 1. La pantalla mostrará el mensaje CONTRAST SETTING.
- 2.- Modifique el valor contraste con los mismos 2 botones: CH 0 para disminuir y CH 1 para aumentar.
- 3.- Guarde la configuración pulsando CH 4.

AÑADIR IDENTIFICADOR DE IDIOMA A LOS CANALES

Es posible asignar una etiqueta a cada canal para identificar fácilmente el idioma. Esta información es propia de cada unidad **SCT-61M** y se mostrará en la pantalla junto a los números de canal seleccionados en CH INPUT y CH OUTPUT.

NOTA: los botones indicados a continuación son de la sección INPUT.

- 1.- Con el micrófono desactivado (MIC OFF), pulse simultáneamente los botones CH 0 y CH 2. La pantalla mostrará el mensaje CH & LAN SET.
- 2.- Seleccione el canal a configurar: CH0 para decrementar el canal y CH 1 para incrementarlo.
- 3.- Seleccione el identificador de idioma, desplazándose por el listado ya existente, con los botones CH 2 y CH 3.

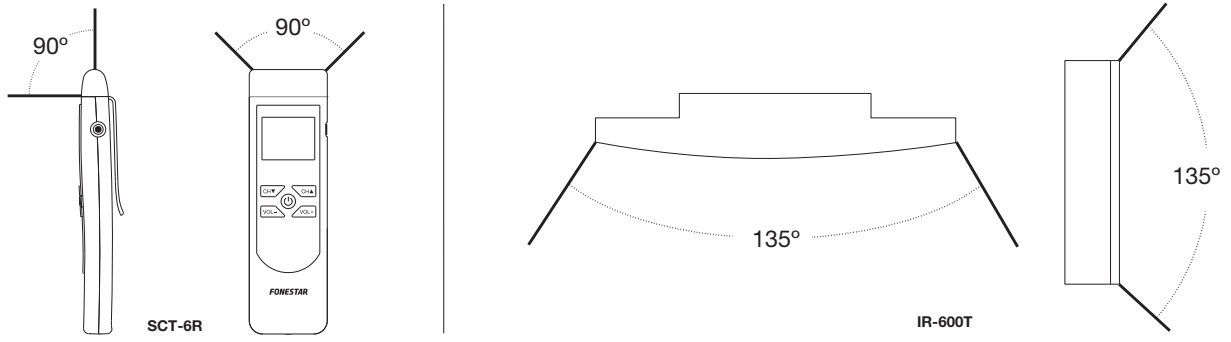
— Sin idioma	FI Finlandés	NL Holandés	SV Sueco
EN Inglés	FR Francés	NO Noruego	TH Tailandés
AR Árabe	HR Croata	PL Polaco	TR Turco
DA Danés	HU Húngaro	PT Portugués	UK Ucraniano
DE Alemán	IT Italiano	RO Rumano	CN Chino
EL Griego	JA Japonés	RU Ruso	
ES Español	KO Coreano	SR Serbio	

- 4.- Repita los pasos 2 y 3 con todos los canales a los que desee asignar el identificador de idioma.
- 5.- Guarde la configuración pulsando CH 4.

Cobertura de transmisión y recepción de la señal por infrarrojos

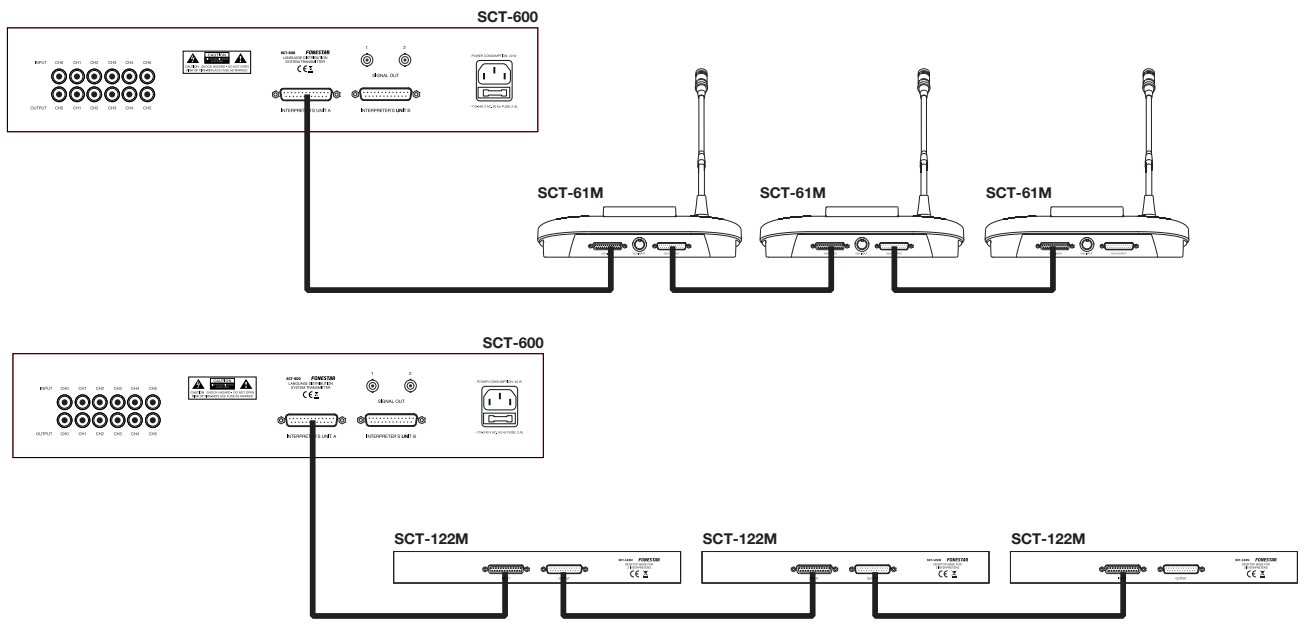
- El radiador **IR-600T** emite una señal infrarroja para ser captada por los receptores **SCT-6R** de forma directa (recomendable) o reflejada en otras superficies.
- Ambos equipos tienen disponen de un gran ángulo de cobertura y captación de señal para la hora de instalar los equipos es importante tener en cuenta sus ángulos de óptimos. En ángulos mayores a los indicados seguirán transmitiendo y recibiendo, pero con menor intensidad:
 - **SCT-6R**: proporciona una mejor captación de de señal a 90°, en el plano vertical y horizontal.
 - **IR-600T**: proporciona una mejor radiación de señal a 135°, en el plano horizontal y vertical.

NOTA: se recomienda instalar los radiadores a una altura suficiente que permita que la señal directa pueda llegar a la audiencia sin interferir con asientos u otros elementos de la sala.



CABLEADO

Cable de conexión para las unidades de traducción SCT-61M y STC-122M

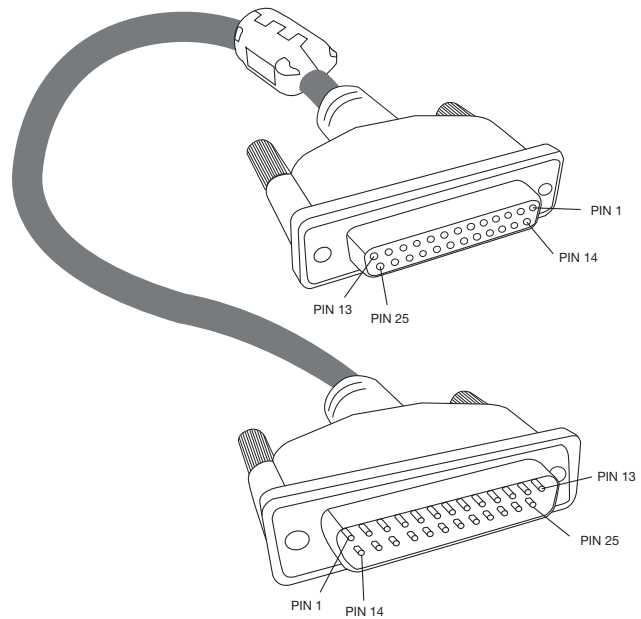


Estos equipos se suministran con un cable DB25 de 10 metros de longitud que puede soportar hasta 5 unidades de traducción conectadas en cascada. Aumentando esta longitud no se puede asegurar el correcto funcionamiento de 5 unidades.

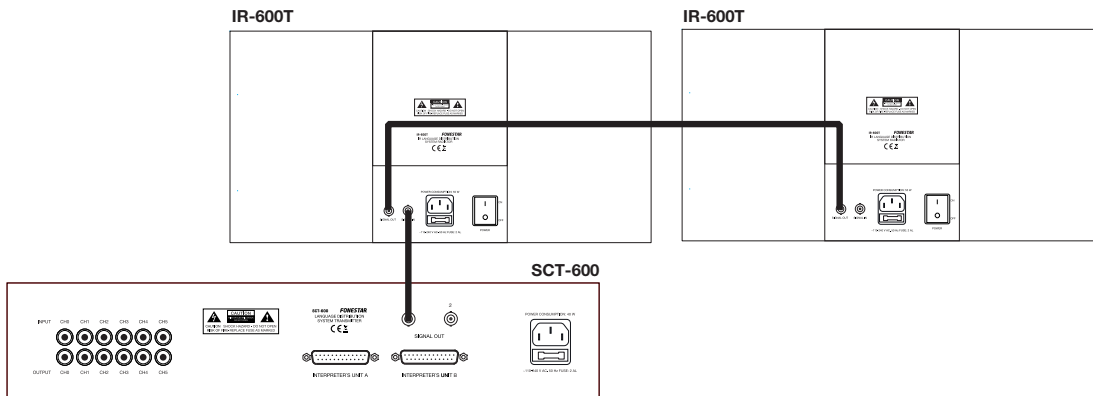
Las variaciones en la longitud de este cable DB25, por norma general, siguen la siguiente proporción: 30 metros podrá soportar 4 unidades de traducción y 50 metros podrá soportar 2 traductores. Este dato es subjetivo y podrá variar por diversos factores: calidad del cable, construcción del cable y conectores, y características ambientales del lugar de instalación.

Este cable lleva un conexionado recto entre sus extremos, el PIN1 del conector macho corresponde con el PIN1 del conector hembra, el PIN2 con el PIN2 del otro extremo, etc. Y se aconseja colocar ferritas cerca de los conectores para eliminar interferencias en el cable.

CONECTOR A DB25	FUNCIÓN	CONECTOR B DB25
Pin 1	CH 0	Pin 1
Pin 2	CH 1	Pin 2
Pin 3	CH 2	Pin 3
Pin 4	CH 3	Pin 4
Pin 5	CH 4	Pin 5
Pin 6	CH 5	Pin 6
Pin 7	CH 6	Pin 7
Pin 8	CH 7	Pin 8
Pin 9	CH 8	Pin 9
Pin 10	CH 9	Pin 10
Pin 11	CH 10	Pin 11
Pin 12	CH 11	Pin 12
Pin 13	RS485B	Pin 13
Pin 14	NC	Pin 14
Pin 15 -19	GND	Pin 15 -19
Pin 20 -23	+24 V CC	Pin 20 -23
Pin 24	NC	Pin 24
Pin 25	RS485A	Pin 25



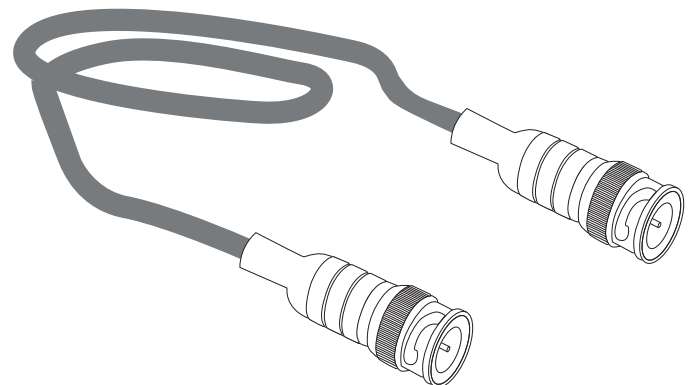
Cable de conexión para los radiadores IR-600T



Estos equipos se suministran con un cable BNC de 10 metros de longitud.

Si su instalación precisa de un cable de mayor longitud necesitará un cable coaxial apantallado de 50 Ω de hasta 100 metros de longitud con conectores BNC. Teniendo en cuenta que si conecta en cascada más de un radiador **IR-600T**, la longitud total de todos los cables de la línea no debe superar los 200 metros para garantizar su correcto funcionamiento.

IMPORTANTE: no instale estos cables cerca de campos electromagnéticos fuertes.



INSTRUCCIONES DE USO

- 1.- Conecte todos los equipos del sistema cómo se indica en el apartado CONEXIÓN y enciéndalos.
- 2.- Configure los micrófonos del sistema.

IMPORTANTE: este sistema está configurado para que los receptores **SCT-6R** puedan recibir hasta 6 canales (0: idioma original, 1-5: traducciones).

 - a.- (sólo **SCT-61M**) Realice las configuraciones adicionales previas que desee explicadas en el apartado OTRAS CONFIGURACIONES.
 - b.- Seleccione el canal que dese escuchar por el altavoz integrado en la base (sólo **SCT-61M**) o por la salida de auriculares.
 - **SCT-61M**
Pulse el botón del canal correspondiente en la sección INPUT CH 0-CH 4 o con los botones IN CH-/IN CH+ para decrementar/incrementar el canal seleccionado. Por último, modifique el volumen mediante los botones VOL-/VOL+ para disminuir/aumentar el volumen respectivamente.
 - **SCT-122M**
Para escuchar el audio original (CH 0) pulse el botón ORIGINAL; si desea escuchar otro de los idiomas traducidos pulse el botón RELAY y gire el selector MONITOR para seleccionar el canal: 1 para CH 1, 2 para CH 2, etc. Por último, modifique el volumen mediante el control giratorio VOL A y/o VOL B.
 - c.- Seleccione el canal por el que emitirá su idioma.
 - **SCT-61M**
Pulse el botón del canal correspondiente en la sección OUTPUT CH 1-CH 5 o con los botones OUT CH-/OUT CH+ para decrementar/incrementar el canal seleccionado desde CH 1 hasta CH 5. Si el canal que ha seleccionado está siendo utilizado por otro micrófono **SCT-61M** en ese momento, el indicador luminoso BUSY se encenderá de color rojo cuando intente activar su micrófono, avisando de que el canal está ocupado e impidiendo utilizar el canal.
 - **SCT-122M**
Pulse el botón del canal correspondiente en la sección MIC OUTPUT CHANNEL CH 1-CH 5. Si el canal seleccionado ya ha sido seleccionado en otro micrófono **SCT-122M**, independientemente de que el micrófono esté activo o no, el indicador luminoso BUSY LAMP se encenderá de color rojo avisando de que el canal está ocupado e impidiendo utilizar el canal.
- 3.- Configure los receptores **SCT-6R** y compruebe que reciben la señal correctamente.
 - a.- Conecte el auricular.
 - b.- Encienda el receptor realizando una pulsación larga del botón ϕ y sitúese en la zona de cobertura de señal proporcionada por los radiadores **IR-600T**.
 - c.- Seleccione el canal a escuchar con los botones CH▼/ CH▲.
 - d.- Modifique el volumen con los botones VOL-/VOL+. Si en un momento puntual necesita silenciar el audio, realice una pulsación corta del botón ϕ .
- 4.- Funcionamiento de los micrófonos.
 - **SCT-61M**
 - a.- Con el micrófono ya configurado pulse MIC ON/OFF para activar/desactivar el micrófono.
 - b.- Cuando tenga el micrófono activado podrá silenciarlo momentáneamente mientras mantenga pulsado el botón MUTE. El indicador MUTE se iluminará en color verde durante la activación de esta función.
 - c.- Otro micrófono **SCT-61M** podrá enviarle una señal SLOW para indicarle que hable más despacio. Este aviso se enviará a la unidad de traducción que tenga seleccionada como entrada de audio de su unidad de traducción (INPUT) siempre que sea **SCT-61M** también. Al pulsar el botón SLOW de su micrófono, la unidad de traducción que está transmitiendo en ese canal mostrará en su pantalla la palabra SLOW y el anillo rojo del micrófono parpadeará durante unos segundos.

- **SCT-122M**

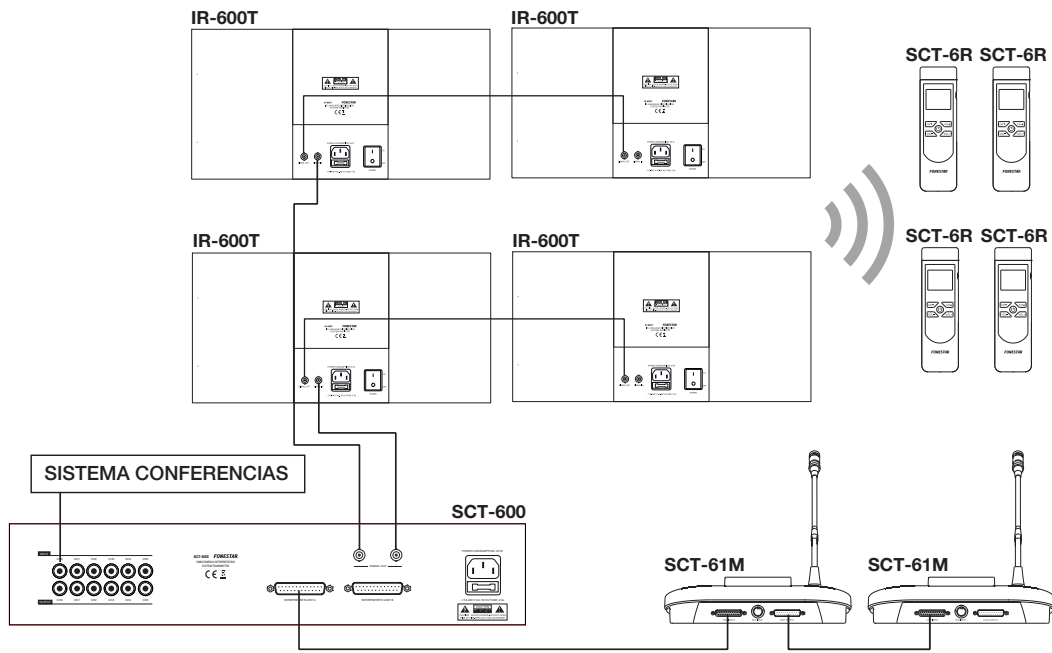
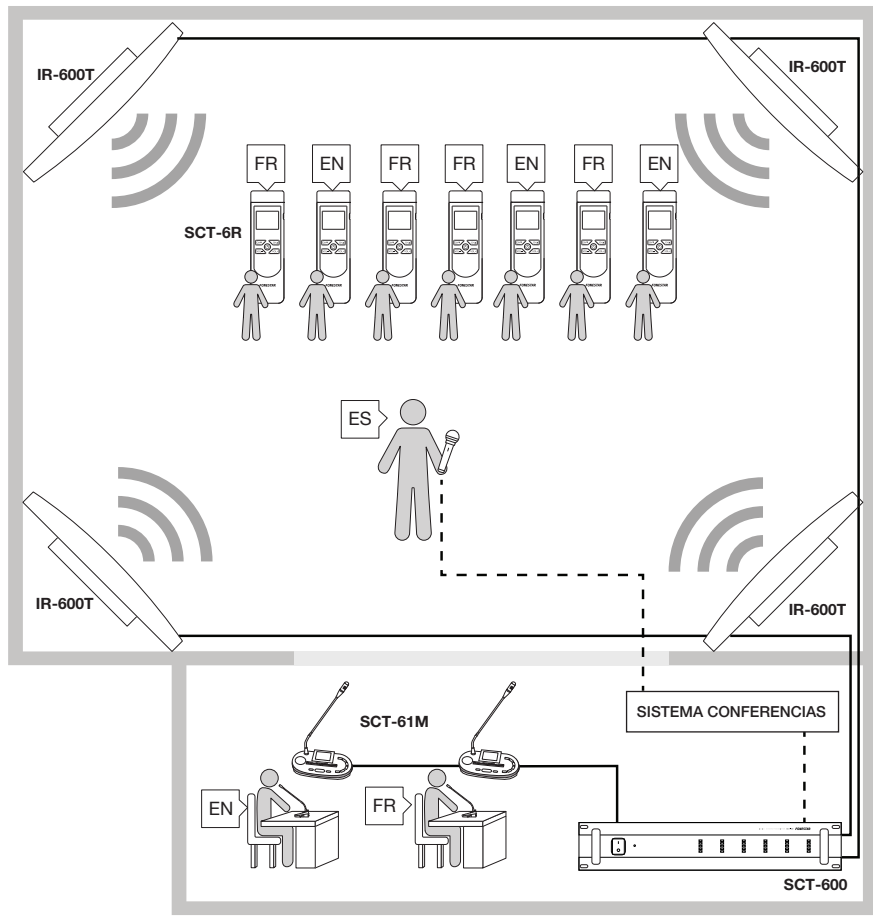
- a.- Con el micrófono ya configurado pulse MIC A ON/OFF o MIC B ON/OFF para activar/desactivar el micrófono. MIC A y MIC B no pueden estar activos de forma simultánea. Cuando active A, B se desactivará automáticamente se lo estuviera, y viceversa.
- b.- Cuando tenga el micrófono activado podrá silenciarlo momentáneamente mientras mantenga pulsado el botón COUGH OUT. El indicador luminoso que hay sobre este botón se iluminará durante la activación de esta función.

CONEXIÓN

- Instale todos los equipos teniendo en cuenta:
 - Las longitudes máximas de los cables. Para más información vaya al apartado CABLEADO.
 - Los factores de radiación y captación de señal. Para más información vaya al apartado OTRAS CONFIGURACIONES.
- Conecte los radiadores. Conecte SIGNAL OUT 1 o 2 del **SCT-600** a SIGNAL IN del primer radiador de la línea. Si va a instalar más radiadores conéctelos en cascada conectando la salida SIGNAL OUT de un radiador con la entrada SIGNAL IN del siguiente.
- Conecte la fuente de audio principal. Conecte el equipo con el audio principal a la entrada IN CH 0 del panel posterior del **SCT-600**.
- Conecte las fuentes de audio. En este sistema es posible introducir el audio en cada canal a través de un equipo externo o mediante las unidades de traducción:
 - Mediante un equipo externo. Conecte el equipo con el audio a la entrada IN CH 1 - CH 5 correspondiente del panel posterior del **SCT-600**.
 - Mediante unidades de traducción. Conecte INTERPRETER'S UNIT A y/o B del **SCT-600** a INPUT de la primera unidad de traducción **SCT-61M** y/o **SCT-122M**. O conecte las unidades de traducción **SCT-61M** o **SCT-122M** entre sí, conectando las salidas OUTPUT con la entrada INPUT del siguiente, hasta un máximo de 5 elementos por línea.

IMPORTANTE: FONESTAR recomienda sólo utilizar un único tipo de unidades de traducción en su instalación para garantizar el funcionamiento óptimo de la función BUSY.
- Si desea enviar los audios de forma independiente a otros sistemas, conéctelos a las salidas OUT CH 0 - CH 5 correspondiente del panel posterior del **SCT-600**.
- Conecte el cable de alimentación de los radiadores **IR-600T** y del transmisor de traducción **SCT-600**. Y que los receptores **SCT-6R** tengan las baterías cargadas.
- Encienda **SCT-600**, **IR-600T** y **SCT-6R** (**SCT-122M** y **SCT-61M** se alimentan a través del cable que les conecta al **SCT-600**).
- Por último, configure los canales de salida y entrada de cada unidad de interpretación. Para más información vaya al apartado INSTRUCCIONES DE USO.
- Recuerde apagar todos los equipos cuando no vayan a ser utilizados y realizar el mantenimiento y limpieza correspondiente.

EJEMPLO DE INSTALACIÓN



ESPECIFICACIONES TÉCNICAS

SCT-600	
CARACTERÍSTICAS	Transmisor del sistema de traducción simultánea SCT. Hasta 5 idiomas, además del idioma original. Conexión de hasta 10 micrófonos SCT-61M o SCT-122M en cascada. Control automático de volumen de salida. Construido conforme normas IEC 60914 de Sistemas de Conferencias e IEC 61603-7 de Sistemas de Transmisión.
RESPUESTA	100-14.000 Hz
INDICADORES	Nivel de salida de cada canal
ENTRADAS	6 líneas, RCA 18.000 Ω 2 V
SALIDAS	6 líneas, RCA 600 Ω 1 V 2 radiadores, BNC 50 Ω 2 unidades de interpretación, DB25
RELACIÓN SEÑAL/RUIDO	> 75 dB
ALIMENTACIÓN	110-240 V CA, 40 W
MEDIDAS	483 x 89 x 355 mm fondo
ACCESORIOS	Cable de interconexión de unidades de interpretación de 10 m, DB25 2 cables de audio, jack 6'3 mm mono a RCA

SCT-61M	
CARACTERÍSTICAS	Micrófono de sobremesa con flexo para traducción simultánea. Selección de canal de entrada y salida. Función mute (cough). Altavoz monitor. Pantalla de información. Conexión en cascada. Anillo luminoso de funcionamiento.
ENTRADAS	1 micrófono externo, jack 3'5 mm estéreo 1 interconexionado con unidad de control, DB25 y DIN 13
SALIDAS	1 auriculares, jack 3'5 mm estéreo 1 interconexionado, DB25
MEDIDAS	Micrófono flexo: 425 mm Base: 278 x 65 x 140 mm fondo
ACCESORIOS	Auriculares con micrófono headset Cable de interconexión 3 m, DB25

SCT-122M	
CARACTERÍSTICAS	Base de sobremesa para 2 micrófonos de traducción simultánea en el mismo canal de salida. Selección de canal de entrada y salida. Función mute (cough). Conexión en cascada.
ENTRADAS	2 micrófonos, jack 3'5 mm estéreo 1 interconexionado, DB25
SALIDAS	2 auriculares, jack 3'5 mm estéreo 2 rec out, jack 3'5 mm estéreo 1 interconexionado, DB25
MEDIDAS	330 x 65 x 200 mm fondo
ACCESORIOS	Cable de interconexión 10 m, DB25 2 auriculares con micrófono

IR-600T	
CARACTERÍSTICAS	Radiador IR para sistema de traducción simultánea SCT. Superficie cubierta de hasta 600 m ² por radiador.
ENTRADAS	Signal In, BNC, para conexión con el transmisor Cable recomendado coaxial apantallado de 50 Ohm, RG-58. Longitud máxima de un solo cable es de 100 m. Si hay más cables con más receptores la longitud total no debe ser mayor de 200 m.
SALIDAS	Signal Out, BNC, para conexión en cascada con otros radiadores IR-600T
POTENCIA DE SALIDA	25 W
ALCANCE	Hasta 30 m
ÁNGULO DE COBERTURA	135°
ALIMENTACIÓN	110-240 V CA, 55 W
MEDIDAS	440 x 232 X 125 mm de fondo
ACCESORIOS	Soporte de montaje en pared Cable de interconexión, BNC

SCT-6R	
CARACTERÍSTICAS	Receptor IR para sistema de traducción simultánea SCT. 6 canales seleccionables. Manejo sencillo e intuitivo. Ángulo de recepción horizontal y vertical 90° Pantalla de información.
CONTROLES	Encendido Selección de canal Volumen
SALIDAS	1 auriculares, jack 3'5 mm estéreo
ALIMENTACIÓN	3 baterías AAA-R03 de 800 mAh, incluidas Función de recarga integrada mediante la estación de recarga SCT-24CH
MEDIDAS	155 x 45 x 20 mm
ACCESORIOS	Auricular mono Colgador para receptor

SCT-16M	
CARACTERÍSTICAS	Maletín de transporte para 16 receptores SCT-6R.
MEDIDAS	380 x 110 x 400 mm de fondo

SCT-24CH	
CARACTERÍSTICAS	Estación de recarga para 24 receptores SCT-6R. Estructura reforzada y ruedas para transporte.
TIEMPO DE RECARGA	De 3 a 6 horas
ALIMENTACIÓN	110-240 V CA, 200 W
MEDIDAS	625 x 285 x 365 mm fondo

DESCRIPTION

- Système de traduction simultanée avec émission par radiateurs IR jusqu'à 5 langues, en plus de la langue d'origine.
- Permet la traduction et distribution jusqu'à 6 langues différentes de manière simultanée, sans fil, par technologie d'infrarouges.
- Conçu afin de ne pas interférer avec les systèmes d'illumination et ainsi, offrir une grande qualité de son.
- Ce système se compose d'une unité principale **SCT-600** qui contrôle tous les signaux qui composent le système. Pour cela, cette unité est connectée aux microphones de traduction **SCT-61M** et/ou aux bases de traduction **SCT-122M** ainsi, qu'aux radiateurs IR IR-600T qui répartissent le signal dans la salle. Enfin, ce signal émi par les radiateurs est capté par les récepteurs IR **SCT-6R** depuis lesquels les assistants peuvent sélectionner entre les 6 langues disponibles (inclue la langue d'origine du rapporteur).

Les caractéristiques les plus importantes du système sans fil sont décrites ci-dessous :

SCT-600 - Émetteur de traduction simultanée

- Unité de contrôle du système de traduction simultanée.
- Avec contrôles automatiques du volume.

SCT-61M - Microphone de table pour 1 traducteur

- Avec microphone en col de cygne et haut-parleur intégré. Et possibilité d'utiliser des écouteurs et un microphone externes.
- Boutons permettant de sélectionner directement le canal à écouter et le canal de sortie de traduction. Il est possible d'écouter d'autres traducteurs en temps réel.
- Il comporte de multiples circuits qui améliorent la qualité audio avec des commandes de volume, des supresseurs de larsen et une fonction de coupure rapide du microphone (MUTE).

SCT-122M - Base de table pour 2 traducteurs

- Permet aux traducteurs de se relayer facilement pendant la traduction.
- Simple sélection du canal à écouter et du canal de sortie de la traduction. Il est possible d'écouter d'autres traducteurs en temps réel.
- Il comporte de multiples circuits qui améliorent la qualité audio avec des commandes de volume, des supresseurs de larsen et une fonction de coupure rapide du microphone (COUGH).

IR-600T - Radiateur IR pour traduction simultanée

- Offre une grande couverture de signal, jusqu'à 600 m² avec un seul radiateur. Cette couverture peut s'étendre avec la connexion en cascade de plusieurs radiateurs.
- Circuit de contrôle de gain automatique.
- Il peut se placer sur n'importe quelle superficie, au mur (avec le support fourni), au plafond ou au sol (il doit être placé élevé du sol avec un support type trépied).

SCT-6R -Récepteur IR de traduction simultanée

- Récepteur de traitement simple et intuitif.
- Avec écran d'information qui permet de sélectionner entre les 6 langues facilement, connaître l'état de la batterie, du volume et du niveau du signal reçu.

SCT-16M - Malette pour 16 récepteurs SCT-6R

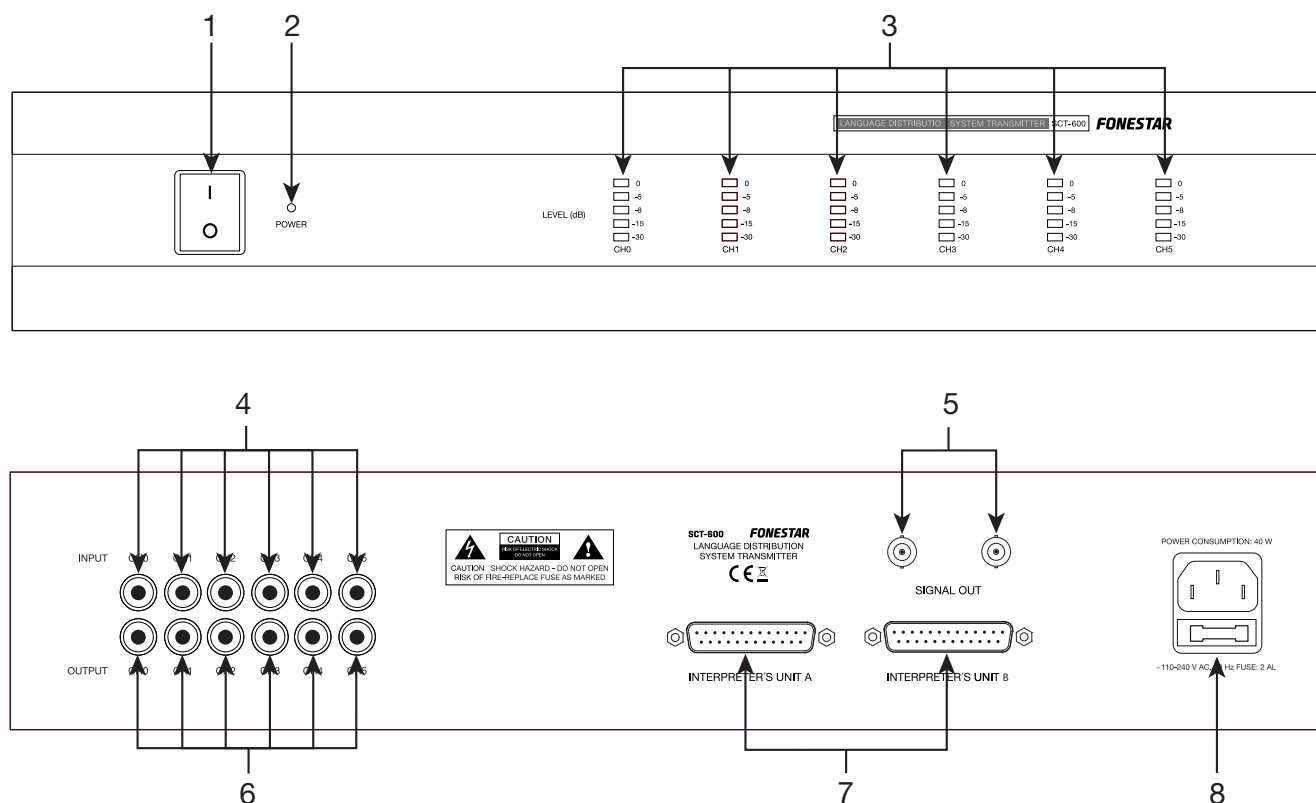
- Malette de transport avec structure renforcée avec capacité pour 16 récepteurs **SCT-6R**.

SCT-24CH - Malette pour 24 récepteurs SCT-6R

- Malette et chargeur de batteries avec structure renforcée avec capacité pour 24 récepteurs **SCT-6R**.
- Avec roulettes et poignée pour faciliter son transport.

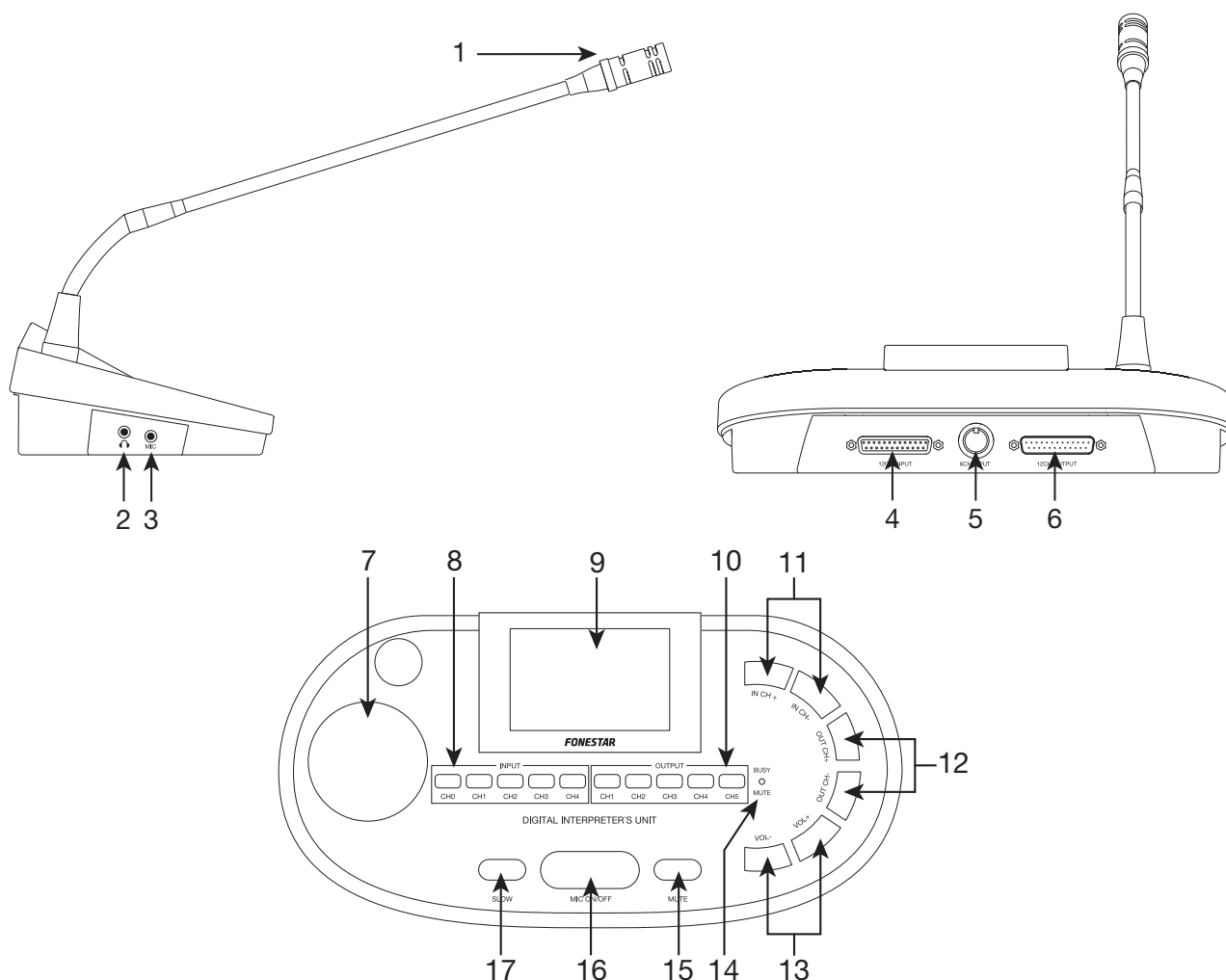
CONTRÔLES ET FONCTIONS

SCT-600 - ÉMETTEUR DE TRADUCTION SIMULTANÉE



- 1.- **POWER** : interrupteur de mise en marche/arrêt du système.
- 2.- Témoin lumineux de mise en marche de l'amplificateur.
- 3.- **LEVEL (dB)** : témoins lumineux du niveau de signal de chacun des canaux.
N.B. : CH0 s'utilise habituellement pour la langue originale.
- 4.- **INPUT** : entrées auxiliaires d'audio, connecteur RCA. L'entrée CH0, est fréquemment utilisée pour l'entrée de la langue originale provenant d'un système de conférences ou un amplificateur.
- 5.- **SIGNAL OUT 1/2** : sorties de signal pour la connexion avec les radiateurs **IR-600T**. Vous devez connecter SIGNAL OUT 1 ou 2 à SIGNAL IN du radiateur. Pour une meilleure couverture, il est possible de connecter plus d'1 radiateur connectés en cascade (SIGNAL OUT d'un radiateur avec SIGNAL IN du radiateur suivant).
- 6.- **OUTPUT** : sorties audio de chacune des langues de manière indépendante, connecteur RCA.
- 7.- **INTERPRETER'S UNIT A/B** : entrée et sortie de signaux pour connexion d'unités d'interprétation, SCT-61M et/ou **SCT-122M**. Sur ces connecteurs, il est possible de connecter maximum jusqu'à 5 unités en cascade par connecteur.
- 8.- Entrée d'alimentation 110-240 V CA.

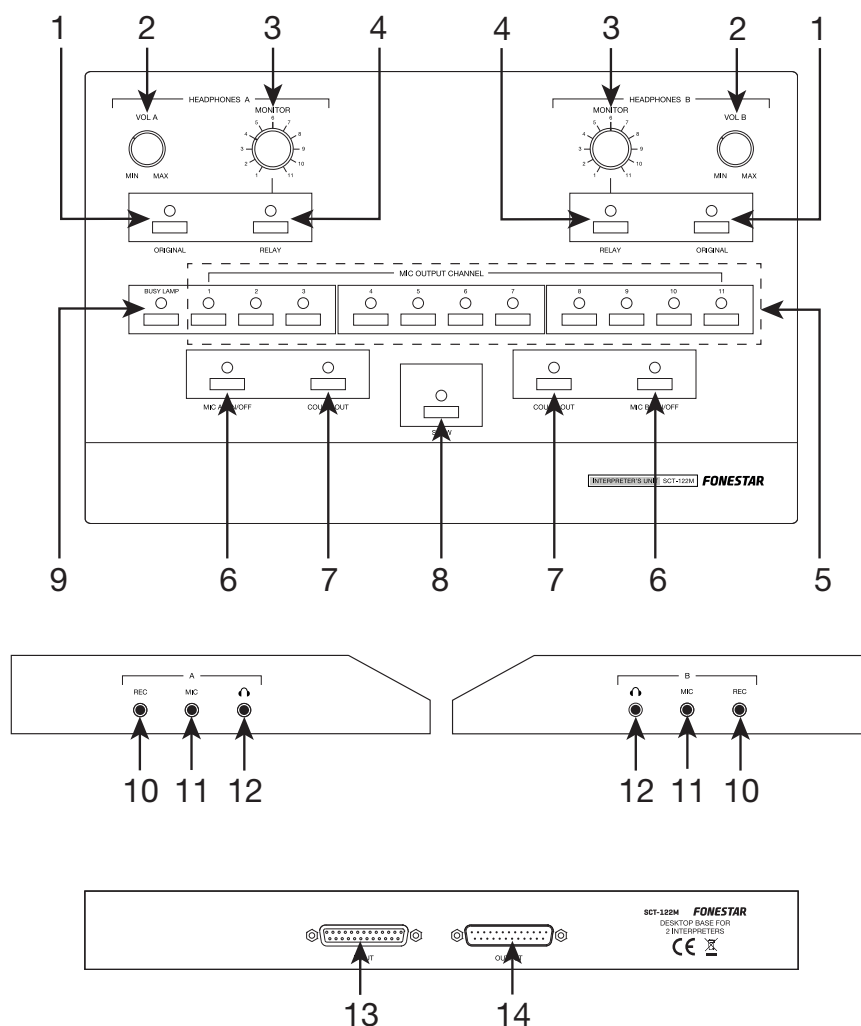
SCT-61M - MICROPHONE DE TABLE POUR 1 TRADUCTEUR




- 1.- Anneau lumineux de fonctionnement.
- 2.- : sortie casque, connecteur jack 3'5 mm.
- 3.- **MIC** : entrée pour microphone externe, connecteur jack 3'5 mm.
- 4.- **12CH INPUT** : port d'entrée pour connexion avec unité principale **SCT-600** ou connecteur OUTPUT d'autres unités de traduction **SCT-61M** et/ou **SCT-122M**. Connecteur DB25.
- 5.- **6CH INPUT** : sans fonction.
- 6.- **12CH OUTPUT** : port de sortie pour connexion en cascade à l'entrée INPUT d'autres unités de traduction **SCT-61M** et/ou **SCT-122M**. Connecteur DB25.
- 7.- Haut-parleur.
- 8.- **INPUT** : bouton de sélection direct du canal à écouter. Il est possible d'écouter la langue d'origine (CH0) ou à d'autres traducteurs (CH1-CH5).
- 9.- Écran d'information.
- 10.- **OUTPUT** : bouton de sélection direct du canal auquel émettre la traduction.
- 11.- **IN CH-/IN CH+** : diminue/augmente le numéro du canal à écouter. Il est possible d'écouter la langue d'origine ou à d'autres traducteurs.
- 12.- **OUT CH-/OUT CH+** : diminue/augmente le numéro du canal auquel émettre la traduction.
- 13.- **VOL-/VOL+** : réduit/augmente le volume du haut-parleur/auriculaires.
- 14.- **BUSY/MUTE** : témoin lumineux avec double fonction.
 - MUTE (vert) : le led reste allumé en vert pendant que le microphone est activé (ON) et vous appuyez sur le bouton MUTE.
 - BUSY (rouge) : la led s'allume en rouge lorsque nous essayons d'activer notre microphone pour un canal utilisé par un autre traducteur (avec son microphone actif). Cette fonction ne va qu'entre les microphones **SCT-61M**.

- 15.- **MUTE** : permet de mettre en silence le microphone pendant que ce bouton reste appuyé.
- 16.- **MIC ON/OFF** : active/désactive le microphone.
- 17.- **SLOW** : permet d'envoyer un avertissement visuel à un autre microphone **SCT-61M** pour parler plus lentement. Cette fonction ne va que pour les microphones **SCT-61M** connectés au système.

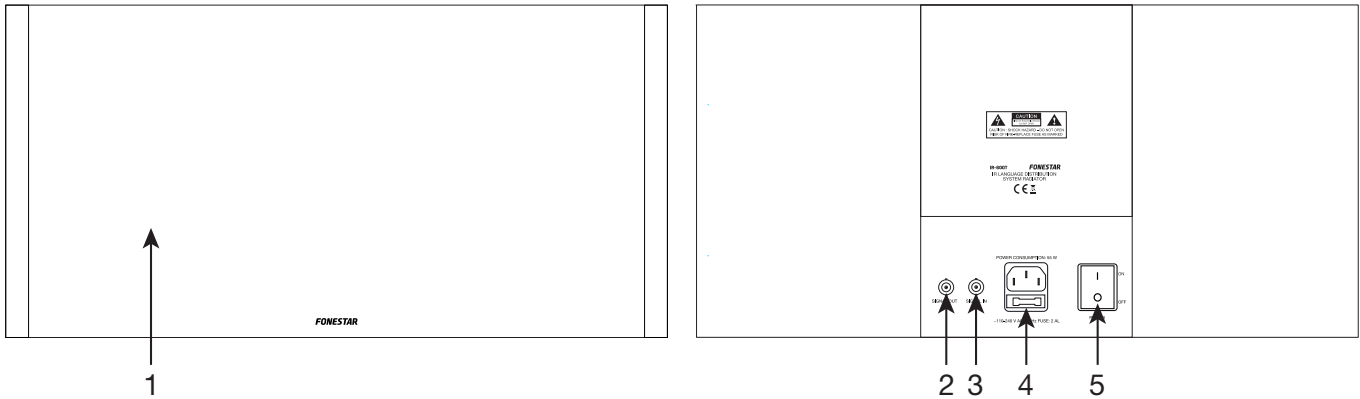
SCT-122M - BASE DE TABLE POUR 2 TRADUCTEURS



- 1.- **ORIGINAL** : témoins lumineux et bouton qui active l'écoute de la langue d'origine (CH 0).
- 2.- **VOL A/B** : contrôles de volume des sorties auriculaires respectives.
- 3.- **MONITOR A/B** : contrôle qui permet de sélectionner d'autres canaux de traduction, qui ne soit pas la langue originale, pour l'écoute à travers de la sortie d'auriculaires A et B de manière indépendante.
- 4.- **RELAY A/B** : témoins lumineux et bouton qui active l'écoute des autres canaux différents à l'original. Appuyez sur ce bouton puis sélectionnez avec le bouton rotatif MONITOR.
- 5.- **MIC OUTPUT CHANNEL** : indicateurs d'état des canaux et boutons de sélection rapide du canal pour émettre la traduction.
- 6.- **MIC A ON/OFF, MIC B ON/OFF** : témoins lumineux et boutons qui permettent d'activer/désactiver les microphones A et B, respectivement.
- 7.- **COUGH OUT** : permet de mettre en silence le microphone pendant que ce bouton reste appuyé; l'indicateur reste allumé pour indiquer que cette fonction est active.
- 8.- **SLOW** : sans fonction.
- 9.- **BUSY LAMP** : le voyant led s'allume en rouge quand on essaie de sélectionner un canal sélectionné par un autre traducteur. Cette fonction ne va qu'entre les bases de traduction **SCT-122M**.
- 10.- **REC A/B** : sortie auxiliaire d'enregistrement de l'interprète A ou B, connecteur jack 3'5 mm.
- 11.- **MIC A/B** : entrée pour microphone externe, connecteur jack 3'5 mm.
- 12.-  : sortie pour auriculaires. Le signal qui s'écoute dépendra de la sélection des contrôles ORIGINAL et MONITOR+RELAY. Connecteur jack 3'5 mm.

- 13.- **INPUT** : port d'entrée pour connexion avec unité principale **SCT-600** ou connecteur OUTPUT d'autres unités de traduction **SCT-61M** et/ou **SCT-122M**. Connecteur DB25.
- 14.- **OUTPUT** : port de sortie pour connexion en cascade à l'entrée INPUT d'autres unités de traduction **SCT-61M** et/ou **SCT-122M**. Connecteur DB25.

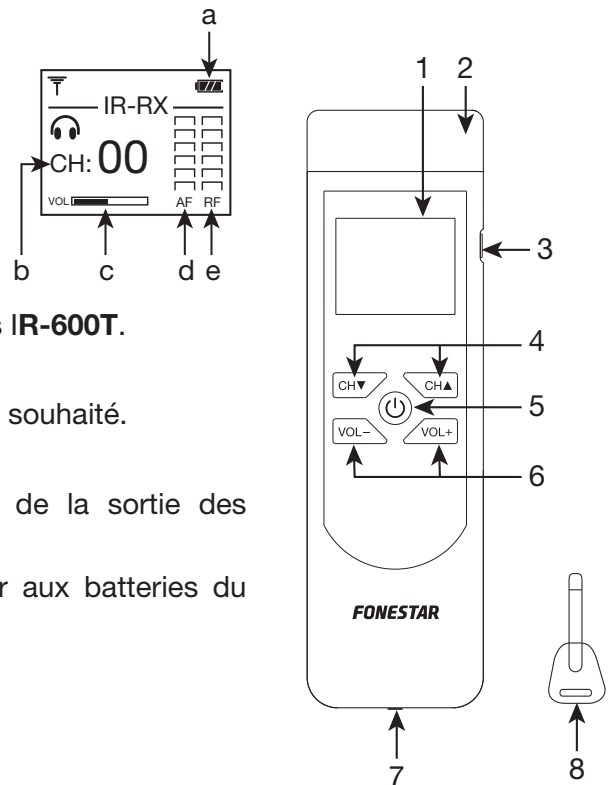
IR-600T - RADIATEUR IR POUR TRADUCTION SIMULTANÉE



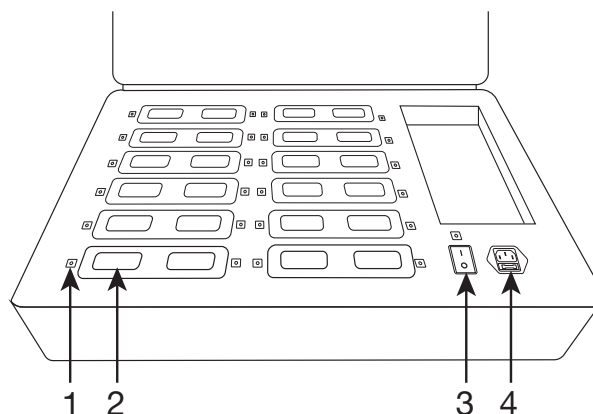
- 1.- Panneau radiateur de IR.
- 2.- **SIGNAL OUT** : connecteur de sortie pour la connexion en cascade à l'entrée SIGNAL IN d'un autre radiateur **IR-600T**. Connecteur BNC.
- 3.- **SIGNAL IN** : connecteur d'entrée pour la connexion avec unité principale **SCT-600** connecteur SIGNAL OUT d'un autre radiateur **IR-600T**. Connecteur BNC.
- 4.- Entrée d'alimentation 110-240 V CA.
- 5.- **POWER** : interrupteur de mise en marche/arrêt dutable radiateur..

SCT-6R - RÉCEPTEUR IR DE TRADUCTION SIMULTANÉE

- 1.- Écran d'information.
- a.- Niveau batterie.
- b.- **CH** : canal syntonisé.
- c.- **VOL** : volume/silence.
- d.- **AF** : niveau du signal audio.
- e.- **RF** : niveau de signal de radio-fréquence.
- 2.- Récepteur IR qui capte le signal émit par les radiateurs **IR-600T**.
- 3.- Sortie casque, connecteur jack 3'5 mm.
- 4.- **CH+/CH-** : boutons pour la sélection du canal (langue) souhaité.
- 5.- **⏻** : bouton de mise en marche/arrêt du récepteur.
- 6.- **VOL+/VOL-** : boutons pour la sélection du volume de la sortie des auriculaires.
- 7.- Orifice pour la clé de sécurité qui permet d'accéder aux batteries du récepteur.
- 1.- Clé de sécurité pour l'ouverture du porte-batteries.



SCT-24CH - MALETTE POUR 24 RECEPTEURS SCT-6R



- 1.- Témoin lumineux de charge. Lorsqu'il clignote en rouge, cela indique que l'appareil est en cours de chargement, lorsqu'il reste allumé en vert, l'appareil est chargé.
- 2.- Fente de charge du Récepteur **SCT-6R**.
- 3.- **POWER**: interrupteur et témoin lumineux de mise en marche/arrêt de la malette
- 4.- Entrée d'alimentation 110-240 V CA.

AUTRES CONFIGURATIONS

SCT-61M - Microphone de table pour 1 traducteur

CONTRASTE DE L'ÉCRAN

N.B. : les boutons indiqués ensuite sont de la section INPUT.

- 1.- Avec le microphone désactivé (MIC OFF), appuyez sur les boutons CH CH0 et CH1 simultanément. L'écran montrera le message CONTRAST SETTING.
- 2.- Modifiez la valeur du contraste avec les 2 mêmes boutons : CH 0 pour diminuer et CH 1 pour augmenter.
- 3.- Enregistrez le paramétrage en appuyant sur CH 4.

AJOUTER UN IDENTIFIANT DE LANGUE AUX CANAUX

Il est possible d'attribuer une étiquette à chaque canal pour indiquer la langue. Cette information est spécifique à chaque unité **SCT-61M** et se montre à l'écran quand vous sélectionnez CH INPUT et CH OUTPUT.

N.B. : les boutons indiqués ensuite sont de la section INPUT.

- 1.- Avec le microphone désactivé (MIC OFF), appuyez sur les boutons CH CH0 et CH2 simultanément. L'écran montrera le message CH & LAN SET.
- 2.- Sélectionnez le canal à configurer : CH0 pour décrémenter le canal et CH 1 pour l'incrémenter.
- 3.- Sélectionnez l'identifiant de la langue, en faisant défiler la liste existante, à l'aide des boutons CH 2 et CH 3.

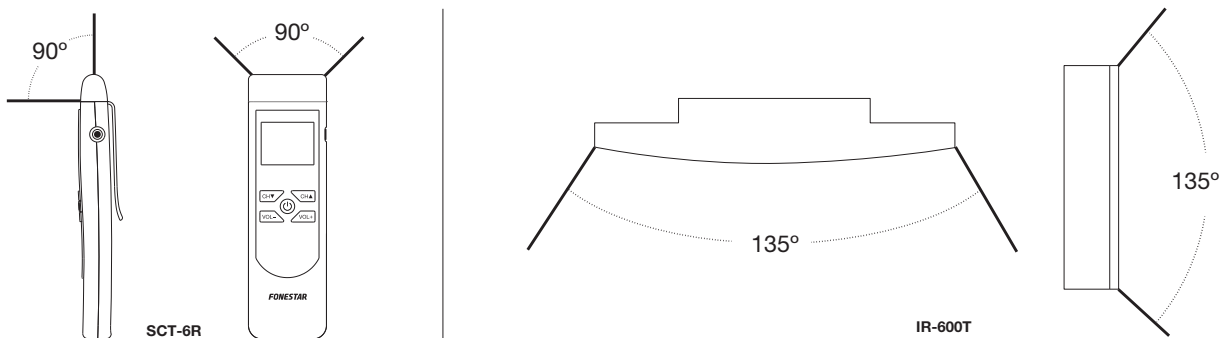
—	Sans langue	FI	Finlandais	NL	Hollandais	SV	Suédois
EN	Anglais	FR	Français	NO	Norvégien	TH	Thaïlandais
AR	Arabe	HR	Croate	PL	Polonais	TR	Turc
DA	Danois	HU	Hongrois	PT	Portugais	UK	Ukrainien
DE	Allemand	IT	Italien	RO	Roumain	CN	Chinois
EL	Grec	JA	Japonais	RU	Russe		
ES	Espagnol	KO	Coréen	SR	Serbe		

- 4.- Répétez les étapes 2 et 3 avec tous les canaux auxquels vous souhaitez attribuer l'identifiant de langue.
- 5.- Enregistrez le paramétrage en appuyant sur CH 4.

Couverture d'émission et de la réception de signaux infrarouges

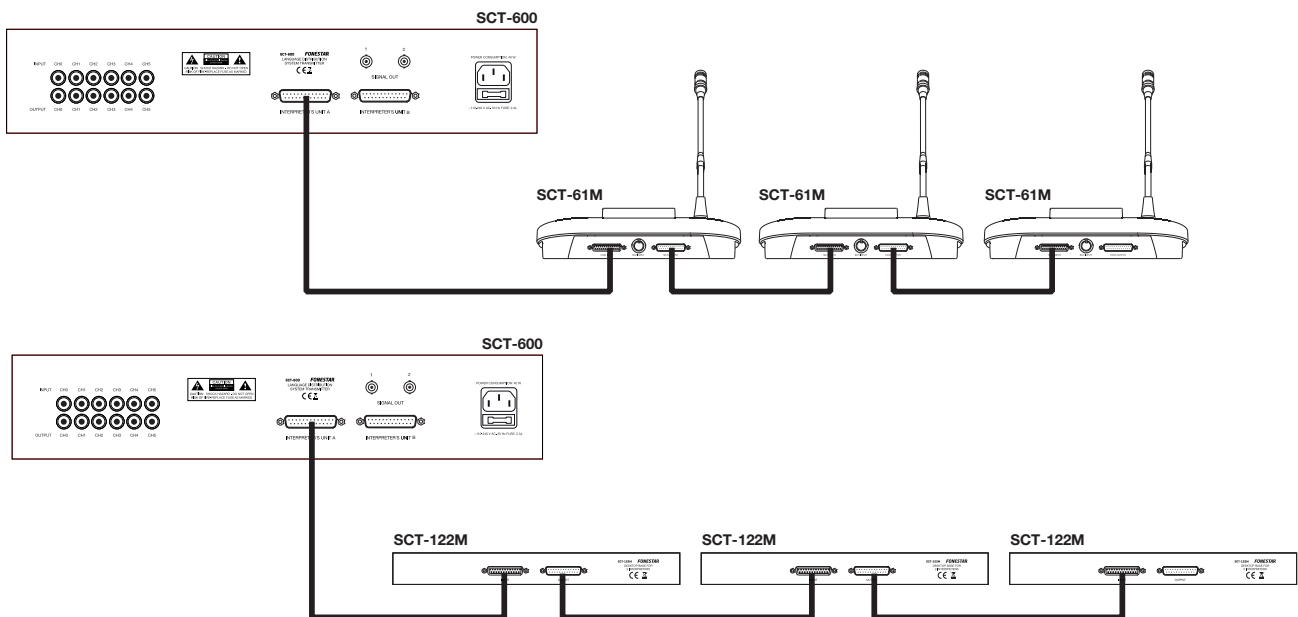
- Le radiateur **IR-600T** émet un signal infrarouge qui est capté par les récepteurs **SCT-6R** soit directement (recommandé), soit par réflexion sur d'autres surfaces.
- Les deux appareils ont un grand angle de couverture et de réception du signal, mais lors de l'installation des appareils, il est important de tenir compte de leurs angles optimaux. À des angles supérieurs à ceux indiqués, ils continueront à émettre et à recevoir, mais avec moins d'intensité :
 - **SCT-6R** : permet une meilleure captation du signal à 90°, dans le plan vertical et horizontal.
 - **IR-600T** : offre un meilleur rayonnement du signal à 135°, dans le plan horizontal et vertical.

N.B. : il est recommandé d'installer les radiateurs à une hauteur suffisante qui permet que le signal directe puisse arriver à l'audience sans interférences avec les sièges ou autres éléments de la salle.



CÂBLAGE

Câble de connexion pour les unités de traduction SCT-61M et STC-122M

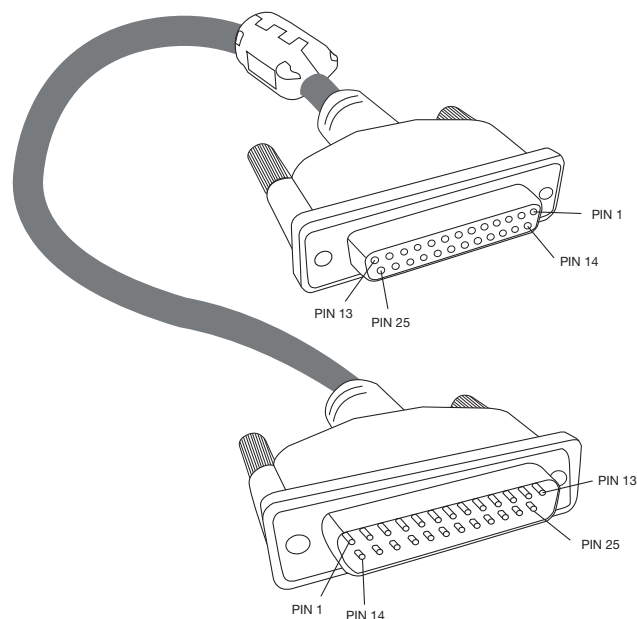


Ces unités sont fournies avec un câble DB25 de 10 mètres de long qui peut supporter jusqu'à 5 unités de traduction connectées en cascade. L'augmentation de cette longueur ne garantit pas le bon fonctionnement de 5 unités.

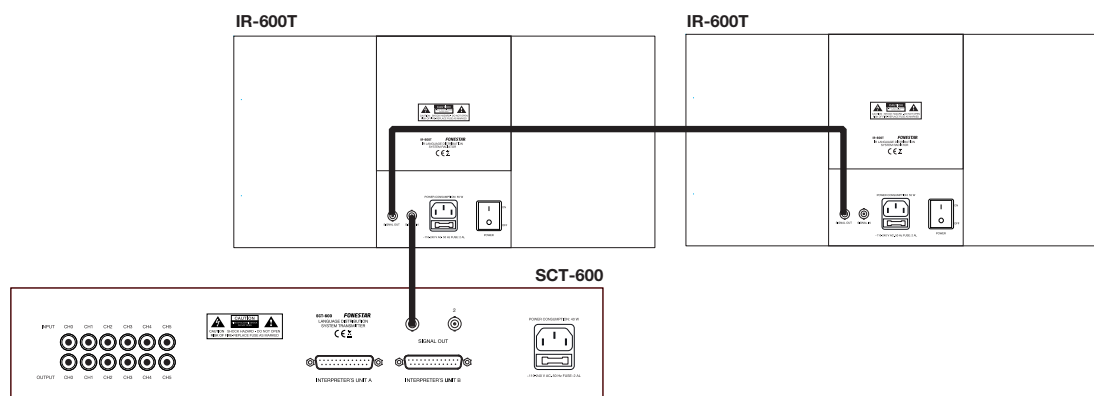
Les variations de la longueur de ce câble DB25 suivent, en règle générale, la proportion suivante : 30 mètres pourront supporter 4 unités de traduction et 50 mètres pourront supporter 2 traducteurs. Ces données sont subjectives et peuvent varier en raison de divers facteurs : qualité du câble, construction et connecteurs du câble, et caractéristiques environnementales du site d'installation.

Ce câble a une connexion droite entre ses extrémités, la PIN1 du connecteur mâle correspond à la PIN1 du connecteur femelle, la PIN2 à la PIN2 de l'autre extrémité, etc. Et il est conseillé de placer des ferrites près des connecteurs pour éliminer les interférences dans le câble.

CONNECTEUR A DB25	FONCTION	CONNECTEUR B DB25
Pin 1	CH 0	Pin 1
Pin 2	CH 1	Pin 2
Pin 3	CH 2	Pin 3
Pin 4	CH 3	Pin 4
Pin 5	CH 4	Pin 5
Pin 6	CH 5	Pin 6
Pin 7	CH 6	Pin 7
Pin 8	CH 7	Pin 8
Pin 9	CH 8	Pin 9
Pin 10	CH 9	Pin 10
Pin 11	CH 10	Pin 11
Pin 12	CH 11	Pin 12
Pin 13	RS485B	Pin 13
Pin 14	NC	Pin 14
Pin 15 -19	GND	Pin 15 -19
Pin 20 -23	+24 V CC	Pin 20 -23
Pin 24	NC	Pin 24
Pin 25	RS485A	Pin 25



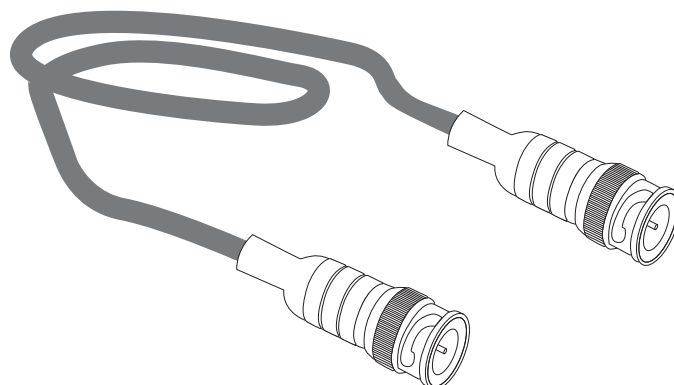
Câble de connexion pour les radiateurs IR-600T



Ces appareils sont fournis avec un câble BNC de 10 mètres de long.

Si votre installation nécessite un câble plus long, vous aurez besoin d'un câble coaxial blindé 50 Ω d'une longueur maximale de 100 mètres avec des connecteurs BNC. N'oubliez pas que si vous mettez en cascade plus d'un radiateur **IR-600T**, la longueur totale de tous les câbles de la ligne ne doit pas dépasser 200 mètres pour garantir un fonctionnement correct.

IMPORTANT : n'installez pas ces câbles à proximité de champs électromagnétiques puissants.



INSTRUCTIONS D'USAGE

1.- Connectez tous les équipements du système comme décrit dans la section CONNECTION et mettez-les sous tension.

2.- Installez les microphones du système.

IMPORTANT : ce système est configuré de manière à ce que les récepteurs **SCT-6R** puissent recevoir jusqu'à 6 canaux (0 : langue originale, 1-5 : traductions).

a.- (Uniquement **SCT-61M**) Effectuez toute autre pré-configuration comme expliqué dans la section AUTRES CONFIGURATIONS.

b.- Sélectionnez le canal que vous souhaitez écouter via le haut-parleur intégré (**SCT-61M** uniquement) ou via la sortie casque.

- **SCT-61M**

Appuyez sur le bouton du canal correspondant dans la section INPUT CH 0-CH 4 ou utilisez les boutons IN CH-/IN CH+ pour diminuer/augmenter le canal sélectionné. Enfin, modifiez le volume en utilisant les boutons VOL-/VOL+ pour diminuer/augmenter le volume respectivement.

- **SCT-122M**

Pour écouter le son original (CH 0), appuyez sur la touche ORIGINAL ; si vous souhaitez écouter une autre des langues traduites, appuyez sur la touche RELAY et tournez le sélecteur MONITOR pour sélectionner le canal : 1 pour CH 1, 2 pour CH 2, etc. Enfin, modifiez le volume à l'aide des commandes rotatives VOL A et/ou VOL B.

c.- Sélectionnez le canal sur lequel votre langue sera diffusée.

- **SCT-61M**

Appuyez sur le bouton du canal correspondant dans la section OUTPUT CH 1-CH 5 ou utilisez les boutons OUT CH-/OUT CH+ pour diminuer/augmenter le canal sélectionné. Si le canal que vous avez sélectionné est actuellement utilisé par un autre microphone **SCT-61M**, le témoin lumineux BUSY devient rouge lorsque vous essayez d'activer votre microphone, indiquant que le canal est occupé et vous empêchant d'utiliser le canal.

- **SCT-122M**

Appuyez sur le bouton du canal correspondant dans la section MIC OUTPUT CHANNEL CH 1-CH 5. Si le canal sélectionné a déjà été sélectionné sur un autre microphone **SCT-122M**, que le microphone soit actif ou non, le témoin lumineux BUSY LAMP devient rouge, indiquant que le canal est occupé et empêchant l'utilisation du canal.

3.- Configurez les récepteurs **SCT-6R** et vérifiez qu'ils reçoivent correctement le signal.

a.- Connectez le casque auriculaire.

b.- Allumez le récepteur en appuyant longuement sur le bouton ϕ et placez-vous dans la zone de couverture du signal fournie par les radiateurs **IR-600T**.

c.- Sélectionnez le canal à écouter avec les boutons CH▼/ CH▲.

d.- Modifiez le volume avec les boutons VOL-/VOL+. Si, à un moment précis, vous avez besoin de couper le son, appuyez brièvement sur le bouton ϕ .

4.- Fonctionnement des microphones.

- **SCT-61M**

a.- Lorsque le microphone est déjà installé, appuyez sur MIC ON/OFF pour l'activer ou le désactiver.

b.- Lorsque le microphone est allumé, vous pouvez momentanément couper le microphone en appuyant et en maintenant le bouton MUTE. L'indicateur MUTE s'allume en vert pendant l'activation de cette fonction.

c.- Un autre microphone **SCT-61M** peut vous envoyer un signal SLOW pour vous dire de parler plus lentement. Cette annonce sera envoyée à l'unité de traduction que vous avez sélectionnée comme entrée audio de votre unité de traduction (INPUT), à condition qu'il s'agisse également du **SCT-61M**. Lorsque vous appuyez sur le bouton SLOW de votre microphone, l'unité de traduction transmettant sur ce canal affichera le mot SLOW sur son écran et l'anneau rouge du microphone clignotera pendant quelques secondes.

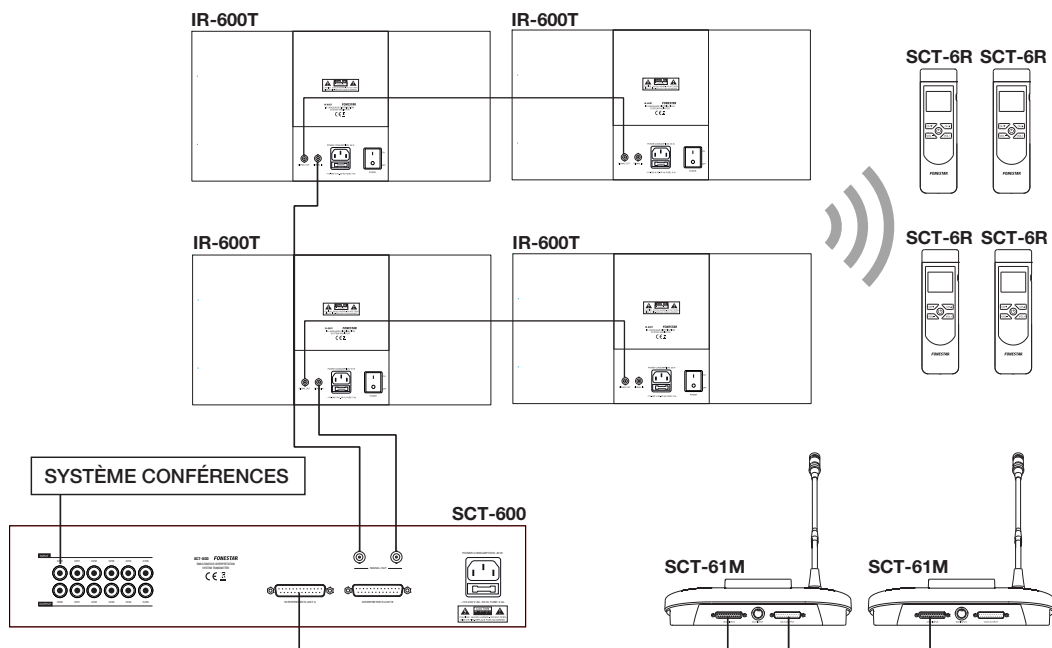
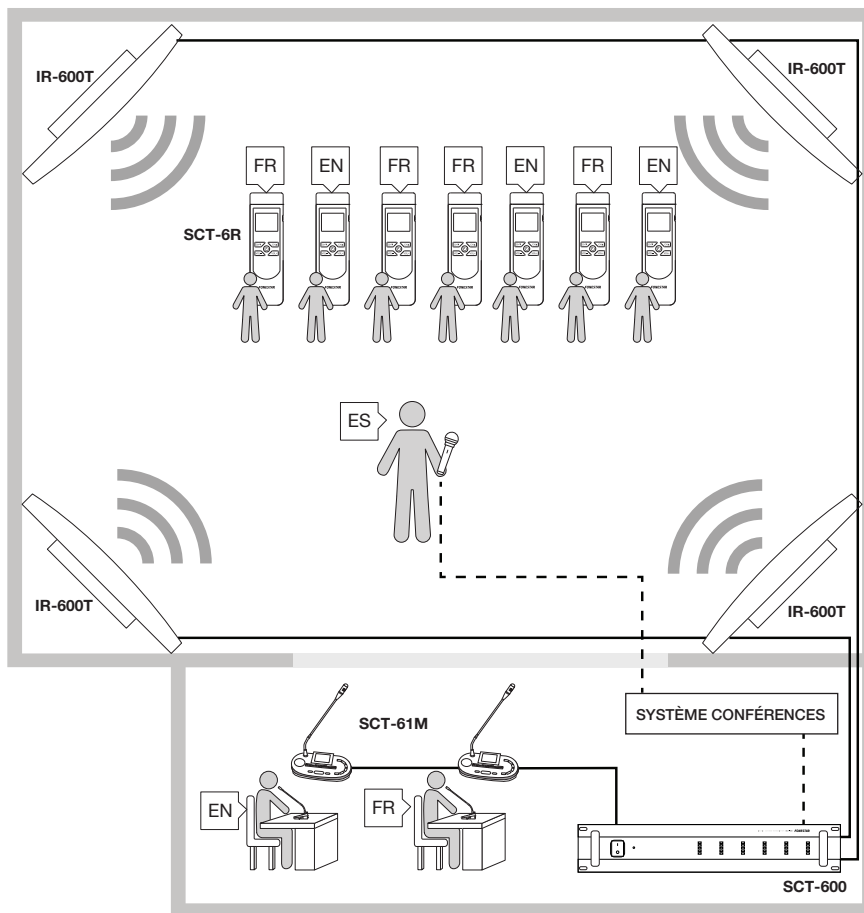
- **SCT-122M**

- a.- Lorsque le microphone est déjà installé, appuyez sur MIC A ON/OFF ou MIC B ON/OFF pour l'activer ou le désactiver. MIC A et MIC B ne peuvent pas être actifs simultanément. Lorsque vous activez A, B sera automatiquement désactivé s'il est activé, et vice versa.
- b.- Lorsque le microphone est activé, vous pouvez momentanément couper le son du microphone tout en maintenant le bouton COUGH OUT enfoncé. Le témoin lumineux situé au-dessus de ce bouton s'allume pendant l'activation de cette fonction.

CONNEXION

- Installez tous les appareils en tenant compte :
 - Longueur maximale des câbles. Pour plus d'informations, consultez la section CÂBLAGE.
 - Facteurs de radiation et de captation du signal. Pour plus d'informations, consultez la section AUTRES CONFIGURATIONS.
- Connectez les radiateurs. Connectez SIGNAL OUT 1 ou 2 du **SCT-600** à SIGNAL IN du premier radiateur de la ligne. Connectez les radiateurs IR-600T entre eux, connectant la sortie SIGNAL OUT d'un radiateur avec l'entrée SIGNAL IN du suivant.
- Connectez la source audio principale. Connectez l'appareil avec le son principal à l'entrée IN CH 0 sur le panneau arrière du **SCT-600**.
- Connectez les sources audio. Dans ce système, il est possible d'introduire des données audio dans chaque canal via un équipement externe ou via les unités de traduction :
 - Via un appareil externe. Connectez l'équipement avec l'audio à l'entrée correspondante IN CH 1 - CH 5 du panneau arrière du **SCT-600**.
 - Par des unités de traduction. Connectez INTERPRETER'S UNIT A et/ou B du **SCT-600** à l'INPUT de la première unité de traduction **SCT-61M** et/ou **SCT-122M**. Vous pouvez également connecter les unités de traduction SCT-61M ou SCT-122M les unes aux autres, en reliant les sorties OUTPUT à l'INPUT de la suivante, jusqu'à un maximum de 5 éléments par ligne.
IMPORTANT : FONESTAR recommande de n'utiliser qu'un seul type d'unités de traduction dans votre installation pour garantir un fonctionnement optimal de la fonction BUSY.
- Si vous souhaitez envoyer les audios indépendamment vers d'autres systèmes, connectez-les aux sorties correspondantes.
Sorties CH 0 - CH 5 sur le panneau arrière du **SCT-600**.
- Connectez le câble d'alimentation des radiateurs **IR-600T** et de l'émetteur de traduction **SCT-600**. Vérifiez que les récepteurs **SCT-6R** aient les batteries chargées.
- Allumez les **SCT-600**, **IR-600T** et **SCT-6R** (**SCT-122M** et **SCT-61M** s'alimentent via le câble qui les connecte au **SCT-600**).
- Enfin, configurez les canaux de sortie et d'entrée de chaque unité d'interprétation. Pour plus d'informations, consultez la section INSTRUCTIONS D'USAGE
- N'oubliez pas d'éteindre tous les équipements lorsqu'ils ne sont pas utilisés et d'effectuer l'entretien et le nettoyage.

EXEMPLE D'INSTALLATION



SPÉCIFICATIONS TECHNIQUES

	SCT-600
CARACTÉRISTIQUES	Émetteur du système de traduction simultanée SCT. Jusqu'à 5 langues en plus de la langue d'origine. Connexion d'un maximum de 10 microphones SCT-61M ou SCT-122M en cascade. Contrôle automatique du volume de sortie. Construit selon les normes IEC 60914 Systèmes de conférence et IEC 61603-7 de Systèmes de transmission.
RÉPONSE	100-14.000 Hz
INDICATEURS	Niveau de sortie de chaque canal
ENTRÉES	6 lignes, RCA 18.000 Ω 2 V
SORTIES	6 lignes, RCA 600 Ω 1 V 2 radiateurs, TNC 50 Ω 2 unités d'interprétation, DB25
RAPPORT SIGNAL/BRUIT	> 75 dB
ALIMENTATION	110-240 V CA, 40 W
DIMENSIONS	483 x 89 x 355 mm profondeur
ACCESSOIRES	Câbles d'interconnexion des unités d'interprétation de 10 m, DB25 2 câbles d'audio, jack 6'3 mm mono à RCA

	SCT-61M
CARACTÉRISTIQUES	Microphone de table en col de cygne pour la traduction simultanée. Sélection du canal d'entrée et de sortie. Fonction mute (cough). Haut-parleur monitor. Écran d'information. Connexion en cascade. Anneau lumineux de fonctionnement.
ENTRÉES	1 microphone externe, jack 3'5 mm stéréo 1 interconnexion avec l'unité de contrôle, DB25 et DIN13
SORTIES	1 auriculaires, jack 3'5 mm stéréo 1 interconnexion. DB25
DIMENSIONS	Microphone col de cygne : 425 mm Base : 278 x 65 x 140 mm de profondeur
ACCESSOIRES	Headset Câble d'interconnexion 3 m, DB25

	SCT-122M
CARACTÉRISTIQUES	Station de table pour 2 microphones de traduction simultanée sur le même canal de sortie. Sélection du canal d'entrée et de sortie. Fonction mute (cough). Connexion en cascade.
ENTRÉES	2 microphones, jack 3'5 mm stéréo 1 interconnexion, DB25
SORTIES	2 auriculaires, jack 3'5 mm stéréo 2 rec out, jack 3'5 mm stéréo 1 interconnexion, DB25
DIMENSIONS	330 x 65 x 200 mm profondeur
ACCESSOIRES	Câble d'interconnexion 10 m, DB25 2 Auriculaires avec microphone

IR-600T	
CARACTÉRISTIQUES	Radiateur IR pour système de traduction simultanée SCT. Surface couverte jusqu'à 600 m ² par radiateur.
ENTRÉES	Signal In, BNC, pour connexion avec l'émetteur Câble coaxial blindé 50 Ohm recommandé, RG-58. La longueur maximale d'un seul câble est de 100 m. S'il y a plus de câbles avec plus de récepteurs, la longueur totale ne doit pas dépasser 200 m
SORTIES	Sortie de signal, BNC, pour la mise en cascade avec d'autres radiateurs IR-600T
PUISSANCE DE SORTIE	25 W
PORTÉE	Jusqu'à 30 m
ANGLE COUVERT	135°
ALIMENTATION	110-240 V CA, 55 W
DIMENSIONS	440 x 232 x 125 mm de profondeur
ACCESSOIRES	Support de montage mural Câble d'interconnexion, BNC

SCT-6R	
CARACTERISTIQUES	Récepteur IR pour le système de traduction simultanée SCT. 6 canaux sélectionnables. Utilisation simple et intuitive. Angle de réception horizontal et vertical 90° Ecran d'informations.
CONTRÔLES	Mise en marche Sélection du canal Volume
SORTIES	1 auriculaires, jack 3'5 mm stéréo
ALIMENTATION	3 batteries AAA-R03 de 800 mAh, incluses Fonction de charge intégrée via la station de charge SCT-24CH
DIMENSIONS	155 x 45 x 20 mm
ACCESSOIRES	Auriculaire mono Suspension pour le récepteur

SCT-16M	
CARACTERISTIQUES	Malette de transport pour 16 récepteurs SCT-6R.
DIMENSIONS	380 x 110 x 400 mm profondeur

SCT-24CH	
CARACTERISTIQUES	Station de recharge pour 24 récepteurs SCT-6R. Structure renforcée et roulettes pour le transport.
TEMPS DE RECHARGE	De 3 à 6 heures
ALIMENTATION	110-240 V CA, 200 W
DIMENSIONS	625 x 285 x 365 mm de profondeur

DESCRIÇÃO

- Sistema de interpretação simultânea com transmissão por radiadores IR, com capacidade para controlar 5 idiomas, além do idioma original.
- Permite a interpretação simultânea e a distribuição de até 6 idiomas diferentes sem fios através de tecnologia de infravermelhos.
- Desenhado para não interferir com sistemas de iluminação, proporcionando uma ótima qualidade de som.
- Este sistema é composto por uma unidade principal **SCT-600** que controla todos os sinais incluídos no sistema. Para tal, está ligada aos microfones de interpretação **SCT-61M** e/ou às bases de interpretação **SCT-122M** e, por sua vez, aos radiadores IR **IR-600T** que distribuem o sinal pela sala. Para finalizar a função do sistema de interpretação, este sinal emitido pelos radiadores é captado pelos recetores IR **SCT-6R** a partir dos quais os assistentes podem selecionar entre os 6 idiomas disponíveis (incluindo o idioma original do conferencista).

Abaixo são descritas as características mais importantes do sistema:

SCT-600 - Transmissor de interpretação simultânea

- Unidade de controlo do sistema de interpretação simultânea.
- Com controlos automáticos de volume.

SCT-61M - Microfone de mesa para 1 intérprete

- Com microfone de tubo flexível e altifalante integrados. E possibilidade de utilizar auscultadores e microfone externos.
- Botões de seleção direta do canal a ouvir e do canal de saída da interpretação. É possível ouvir outros intérpretes em tempo real.
- Dispõe de múltiplos circuitos que melhoram a qualidade de áudio com controlos de volume, supressores de realimentação e função para silenciar o microfone rapidamente (MUTE).

SCT-122M - Base de mesa para 2 intérpretes

- Permite aos intérpretes revezar-se facilmente durante a interpretação.
- Fácil seleção do canal a ouvir e do canal de saída da interpretação. É possível ouvir outros intérpretes em tempo real.
- Dispõe de múltiplos circuitos que melhoram a qualidade de áudio com controlos de volume, supressores de realimentação e função para silenciar o microfone rapidamente (COUGH).

IR-600T - Radiador IR para interpretação simultânea

- Proporciona uma grande cobertura de sinal, até 600 m² com um único radiador. Esta cobertura pode ser ampliada ligando mais radiadores em cascata.
- Circuito de controlo automático de ganho.
- Pode ser colocado em qualquer superfície, na parede (com o suporte fornecido), no teto ou no chão (deve ser colocado acima do chão com um suporte tipo tripé).

SCT-6R - Recetor IR de interpretação simultânea

- Recetor de utilização simples e intuitivo.
- Com ecrã de informação que permite selecionar entre os 6 idiomas facilmente, saber o estado da bateria, volume e nível de sinal recebido.

SCT-16M - Mala para 16 Recetores SCT-6R

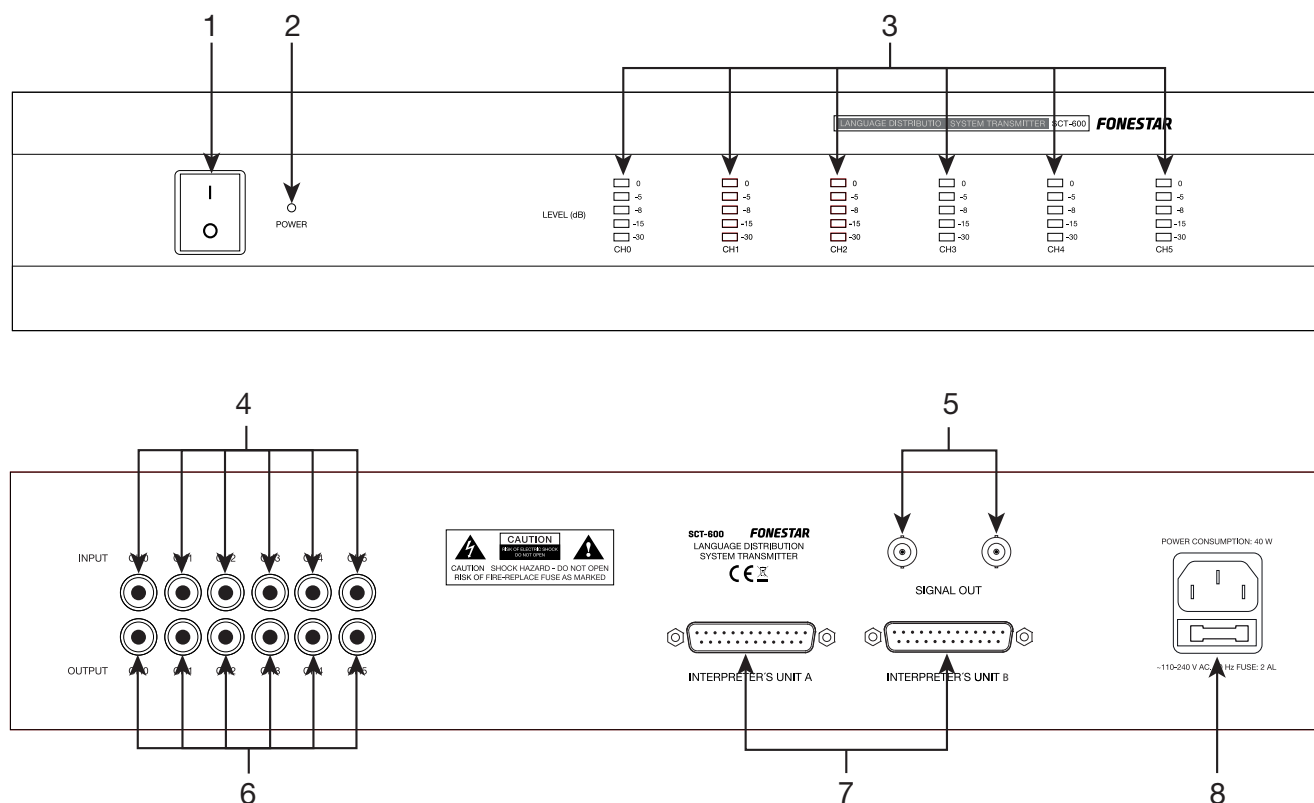
- Mala de transporte com estrutura reforçada com capacidade para 16 recetores **SCT-6R**.

SCT-24CH - Mala para 24 recetores SCT-6R

- Carregador em mala com estrutura reforçada com capacidade para 24 recetores **SCT-6R**.
- Com rodas e pega para fácil transporte.

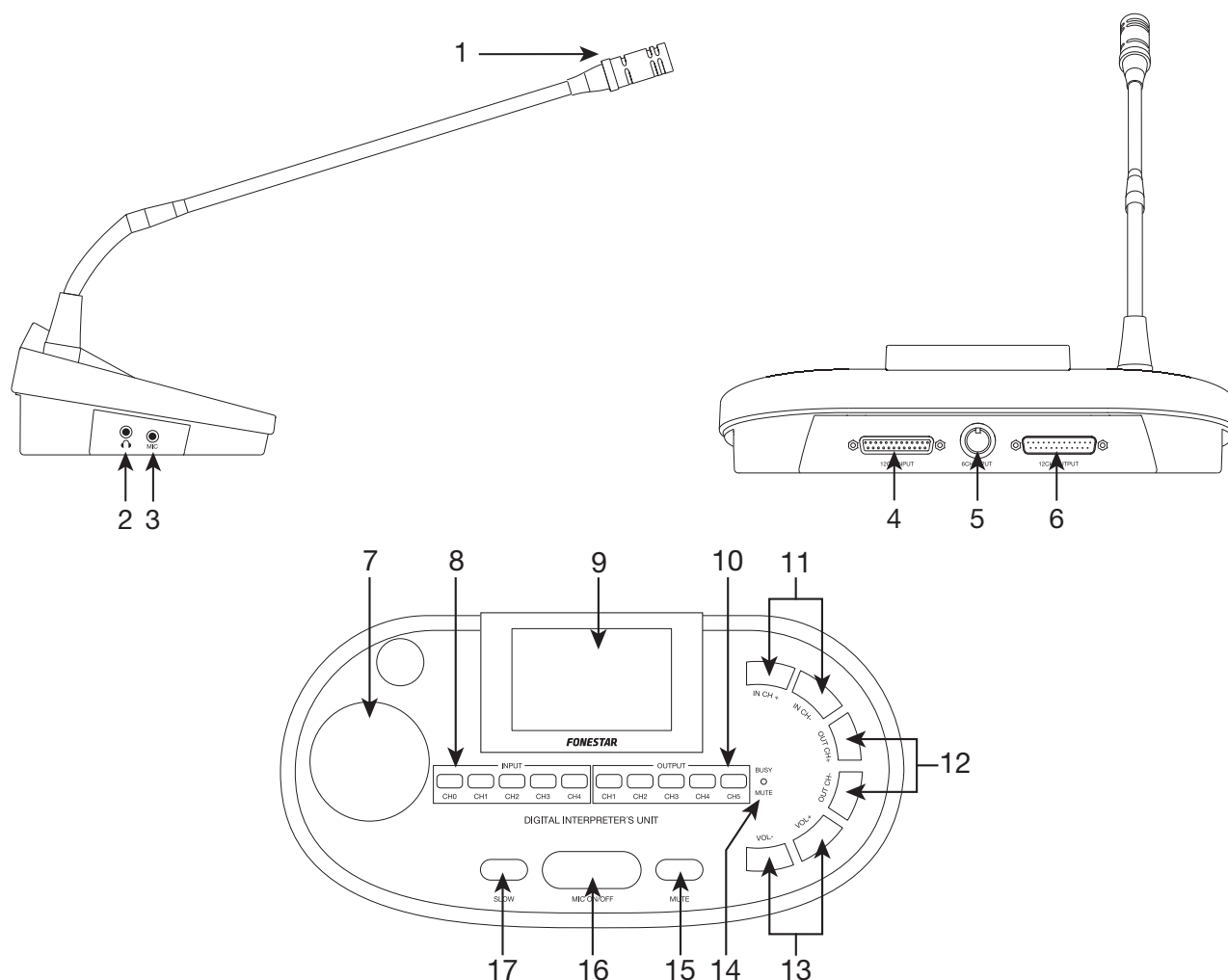
CONTROLOS E FUNÇÕES

SCT-600 - TRANSMISSOR DE INTERPRETAÇÃO SIMULTÂNEA



- 1.- **POWER:** interruptor para ligar/desligar o sistema.
- 2.- Indicador luminoso de ativação do amplificador.
- 3.- **LEVEL (dB):** indicadores luminosos do nível de sinal de cada um dos canais.
NOTA: CH0 é habitualmente utilizado para o idioma original.
- 4.- **INPUT:** entradas auxiliares de áudio, conector RCA. A entrada CH 0 frequentemente utilizada para a entrada do idioma original proveniente de um sistema de conferências ou de um amplificador.
- 5.- **SIGNAL OUT 1/2:** saídas de sinal para ligação com os radiadores **IR-600T**, conectores BNC. Deve ligar SIGNAL OUT, 1 ou 2, ao SIGNAL IN do radiador. Para uma maior cobertura é possível ligar mais de 1 radiador em cascata (SIGNAL OUT de um radiador com SIGNAL IN do radiador seguinte).
- 6.- **OUTPUT:** saídas de áudio independente de cada um dos idiomas, conector RCA.
- 7.- **INTERPRETER'S UNIT A/B:** entrada e saída de sinais para ligar unidades de interpretação, **SCT-61M** e/ou **SCT-122M**. Nestes conectores é possível ligar no máximo 5 unidades em cascata por conector.
- 8.- Entrada de alimentação 110-240 V CA.

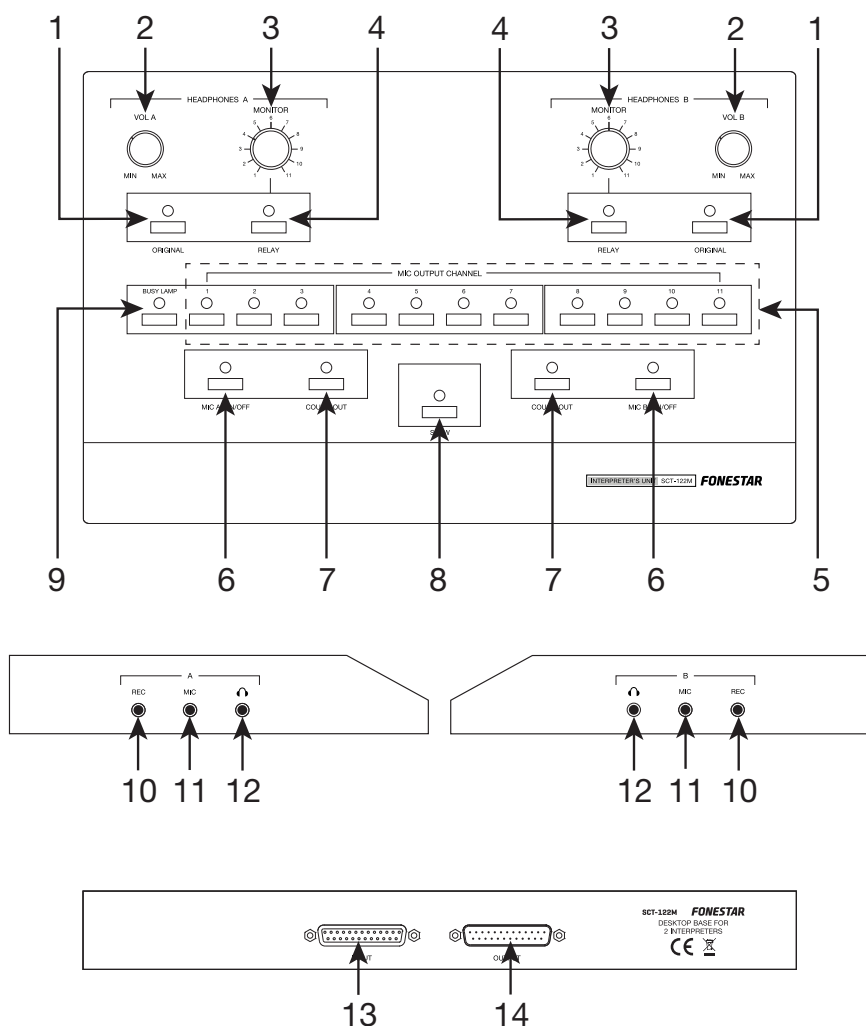
SCT-61M - MICROFONE DE MESA PARA 1 INTÉRPRETE



- 1.- Anel luminoso de funcionamento.
- 2.- : saída de auscultadores, conetor jack 3,5 mm.
- 3.- **MIC**: entrada para microfone externo, conetor jack 3,5 mm.
- 4.- **12CH INPUT**: porta de entrada para ligar à unidade principal **SCT-600** ou conetor OUTPUT de outras unidades de interpretação **SCT-61M** e/ou **SCT-122M**. Conetor DB25.
- 5.- **6CH INPUT**: sem função.
- 6.- **12CH OUTPUT**: porta de saída para ligação em cascata à entrada INPUT de outras unidades de interpretação **SCT-61M** e/ou **SCT-122M**. Conetor DB25.
- 7.- Altifalante.
- 8.- **INPUT**: botões de seleção direta do canal a ouvir. É possível ouvir o idioma original (CH0) ou outros intérpretes (CH1-CH5).
- 9.- Ecrã de informação.
- 10.- **OUTPUT**: botões de seleção direta do canal que irá transmitir a interpretação.
- 11.- **IN CH-/IN CH+**: diminui/aumenta o número do canal a ouvir. É possível ouvir o idioma original ou outros intérpretes.
- 12.- **OUT CH-/OUT CH+**: diminui/aumenta o número do canal que irá transmitir a interpretação.
- 13.- **VOL -/VOL +**: reduz/aumenta o volume do altifalante/auscultadores.
- 14.- **BUSY/MUTE**: indicador luminoso com dupla função.
 - MUTE (verde): o led permanece verde enquanto o microfone está ativado (ON) e se pressionar o botão MUTE.
 - BUSY (vermelho): o led fica vermelho quando tentamos ativar o nosso microfone num canal que já está a ser usado por outro intérprete (com o seu microfone ativo). Esta funcionalidade só existe entre microfones **SCT-61M**.

- 15.- **MUTE**: permite silenciar o microfone enquanto este botão permanecer pressionado.
- 16.- **MIC ON/OFF**: ativa/desativa o microfone.
- 17.- **SLOW**: permite enviar um aviso visual a outro microfone **SCT-61M** para falar mais devagar. Esta funcionalidade só existe nos microfones **SCT-61M** ligados ao sistema.

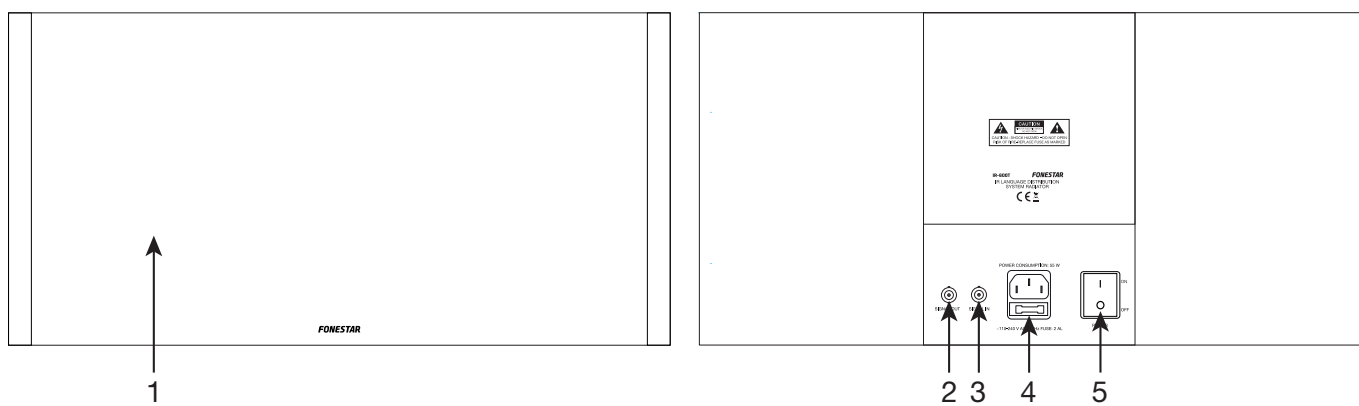
SCT-122M - BASE DE MESA PARA 2 INTÉRPRETES



- 1.- **ORIGINAL**: indicador luminoso e botão que ativa a escuta do idioma original (CH 0).
- 2.- **VOL A/B**: controlos de volume das respetivas saídas de auscultadores.
- 3.- **MONITOR A/B**: controlo que permite selecionar outros canais de interpretação, que não o idioma original, para ouvir através da saída de auscultadores A e B de forma independente.
- 4.- **RELAY A/B**: indicador luminoso e botão que ativa a escuta de outros canais diferentes do original. Pressione este botão e, de seguida, selecione com o controlo giratório MONITOR.
- 5.- **MIC OUTPUT CHANNEL**: indicadores de estado dos canais e botões de seleção direta do canal pelo qual transmitir a interpretação.
- 6.- **MIC A ON/OFF, MIC B ON/OFF**: indicadores luminosos e botões que permitem ativar/desativar os microfones A e B respetivamente.
- 7.- **COUGH OUT**: permite silenciar o microfone enquanto este botão estiver a ser pressionado; o indicador permanecerá ligado para indicar que esta função está ativa.
- 8.- **SLOW**: sem função.
- 9.- **BUSY LAMP**: o led fica vermelho quando tentamos selecionar um canal já selecionado por outro intérprete. Esta funcionalidade só existe entre bases de interpretação **SCT-122M**.
- 10.- **REC A/B**: saída auxiliar de gravação do intérprete A ou B, conector jack 3,5 mm.
- 11.- **MIC A/B**: entrada para microfone externo, conector jack 3,5 mm.
- 12.- \cup : saída para auscultadores. O sinal a ser ouvido irá depender da seleção dos controlos ORIGINAL ou MONITOR+RELAY. Conector jack 3,5 mm.

- 13.- **INPUT**: porta de entrada para ligação com a unidade principal **SCT-600** ou conector OUTPUT de outras unidades de interpretação **SCT-61M** ou **SCT-122M**. Conector DB25.
- 14.- **OUTPUT**: porta de saída para ligação em cascata à entrada INPUT de outras unidades de interpretação **SCT-61M** ou **SCT-122M**. Conector DB25.

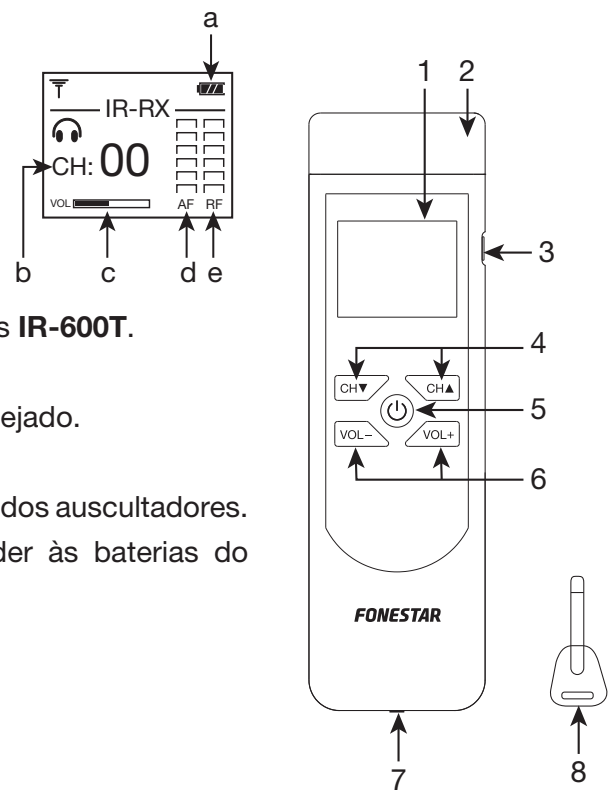
IR-600T - RADIADOR IR PARA INTERPRETAÇÃO SIMULTÂNEA



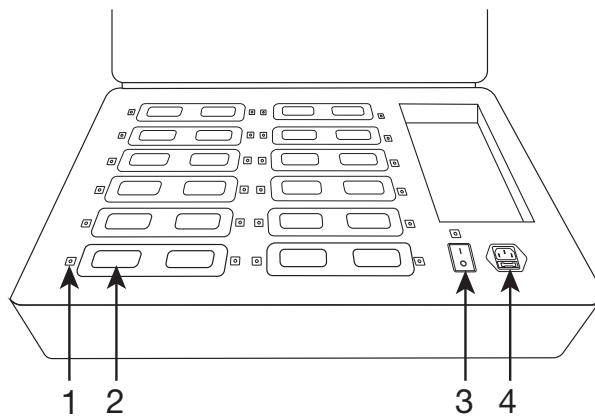
- 1.- Painel radiador de IR.
- 2.- **SIGNAL OUT**: conector de saída para ligação em cascata à entrada SIGNAL IN de outro radiador **IR-600T**. Conector BNC.
- 3.- **SIGNAL IN**: conector de entrada para ligação com a unidade principal **SCT-600** conector SIGNAL OUT de outro radiador **IR-600T**. Conector BNC.
- 4.- Entrada de alimentação 110-240 V CA.
- 5.- **POWER**: interruptor para ligar/desligar o radiador.

SCT-6R - RECETOR IR DE INTERPRETAÇÃO SIMULTÂNEA

- 1.- Ecrã de informação.
 - a.- Nível de bateria.
 - b.- **CH**: canal sintonizado.
 - c.- **VOL**: volume/silêncio.
 - d.- **AF**: nível de sinal de áudio.
 - e.- **RF**: nível de sinal de radiofrequência.
- 2.- Recetor IR para captar o sinal emitido pelos radiadores **IR-600T**.
- 3.- Saída de auscultadores, conector jack 3,5 mm.
- 4.- **CH+/CH-**: botões para selecionar o canal (idioma) desejado.
- 5.- **⏻**: botão para ligar/desligar o recetor.
- 6.- **VOL+/VOL-**: botões para selecionar o volume da saída dos auscultadores.
- 7.- Orifício para chave de segurança que permite aceder às baterias do recetor.
- 8.- Chave de segurança para abrir o porta-baterias.



SCT-24CH - MALA PARA 24 RECETORES SCT-6R



- 1.- Indicador luminoso de carga. Quando pisca em vermelho, indica que está a carregar o dispositivo, quando permanece ligado em verde indica que o dispositivo está carregado.
- 2.- Ranhura de carga do Recetor **SCT-6R**.
- 3.- **POWER**: interruptor e indicador luminoso para ligar/desligar a mala.
- 4.- Entrada de alimentação 110-240 V CA.

OUTRAS CONFIGURAÇÕES

SCT-61M - Microfone de mesa para 1 intérprete

CONTRASTE DO ECRÃ

NOTA: os botões indicados abaixo referem à secção INPUT.

- 1.- Com o microfone desativado (OFF), pressione os botões CH 0 e CH 1 ao mesmo tempo. O ecrã irá mostrar a mensagem CONTRAST SETTING.
- 2.- Altere o valor de contraste com os mesmos 2 botões: CH 0 para diminuir e CH 1 para aumentar.
- 3.- Guarde a configuração pressionando em CH 4.

ADICIONAR IDENTIFICADOR DE IDIOMA AOS CANAIS

Esta configuração permite atribuir uma etiqueta a cada canal para identificar facilmente o idioma. Esta informação é própria de cada unidade **SCT-61M** e será apresentada ao lado dos números de canal selecionados em CH INPUT e CH OUTPUT.

NOTA: os botões indicados abaixo referem à secção INPUT.

- 1.- Com o microfone desativado (MIC OFF), pressione os botões CH 0 e CH 2 ao mesmo tempo. O ecrã irá mostrar a mensagem CH & LAN SET.
- 2.- Selecione o canal a configurar: CH0 para reduzir o canal e CH 1 para aumentar.
- 3.- Selecione o identificador de idioma, navegando pela lista já existente, com os botões CH 2 e CH 3.

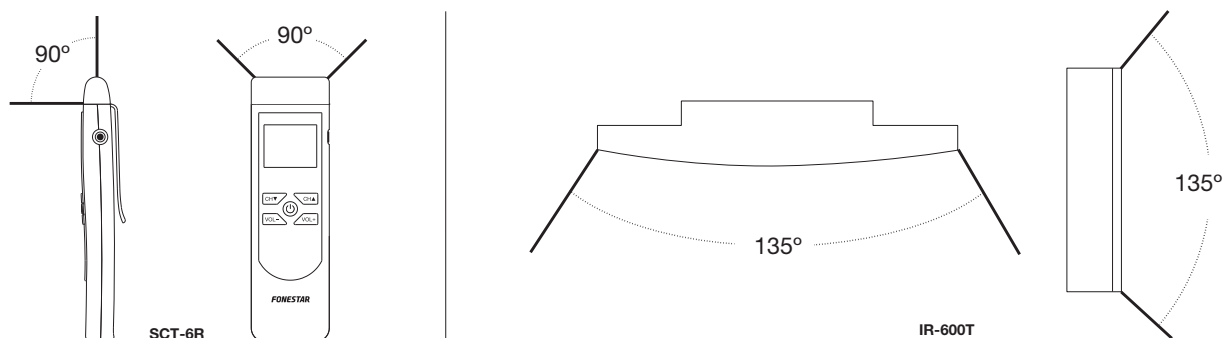
—	Sem idioma	FI	Finlandês	NL	Holandês	SV	Sueco
EN	Inglês	FR	Francês	NO	Norueguês	TH	Tailandês
AR	Árabe	HR	Croata	PL	Polaco	TR	Turco
DA	Dinamarquês	HU	Húngaro	PT	Português	UK	Ucraniano
DE	Alemão	IT	Italiano	RO	Romeno	CN	Chinês
EL	Grego	JA	Japonês	RU	Russo		
ES	Espanhol	KO	Coreano	SR	Sérvio		

- 4.- Repita os passos 2 e 3 com todos os canais aos quais deseja atribuir o identificador de idioma.
- 5.- Guarde a configuração pressionando em CH 4.

Cobertura de transmissão e receção do sinal por infravermelhos

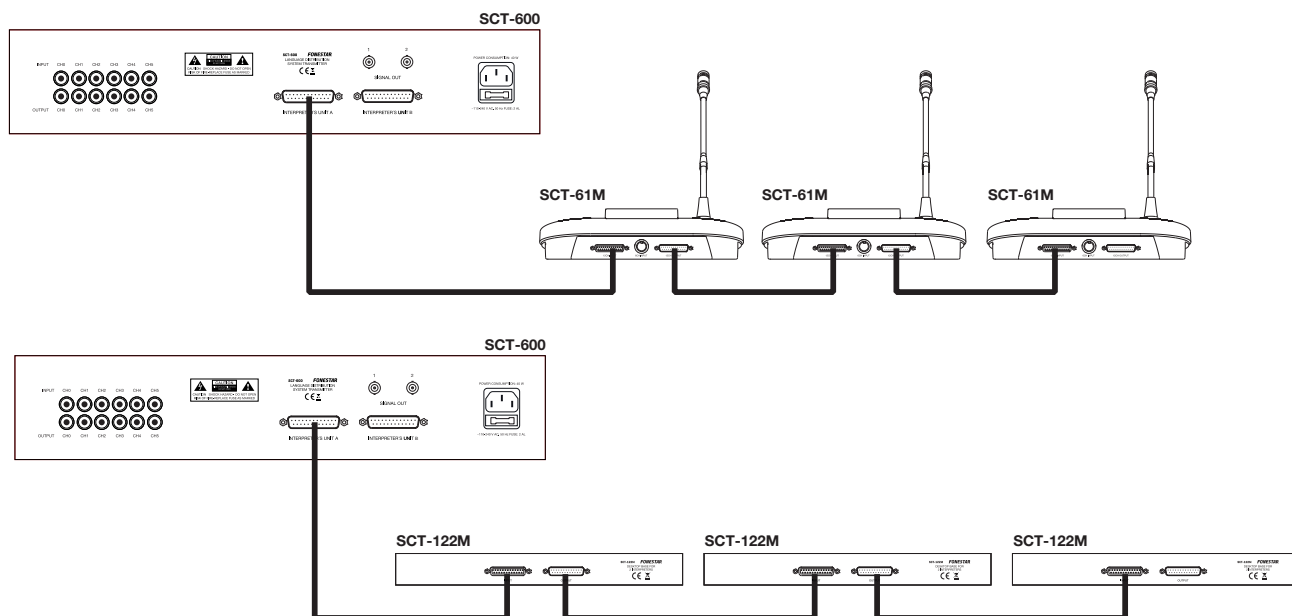
- O radiador **IR-600T** emite um sinal infravermelho para ser captado pelos recetores **SCT-6R** de forma direta (recomendável) ou refletida noutras superfícies.
- Ambos os equipamentos dispõem de um grande ângulo de cobertura e captação de sinal, mas no momento de instalar os equipamentos é importante ter em conta os seus ângulos óptimos. Em ângulos que excedam os indicados, continuarão a transmitir e a receber, mas com menor intensidade:
 - **SCT-6R**: proporciona uma melhor captação do sinal a 90°, no plano vertical e horizontal.
 - **IR-600T**: proporciona uma melhor radiação do sinal a 135°, no plano horizontal e vertical.

NOTA: é recomendado instalar os radiadores a uma altura que permita que o sinal direto possa chegar à audiência sem a interferência de bancos ou outros elementos da sala.



CABOS

Cabo de ligação para as unidades de interpretação SCT-61M e STC-122M

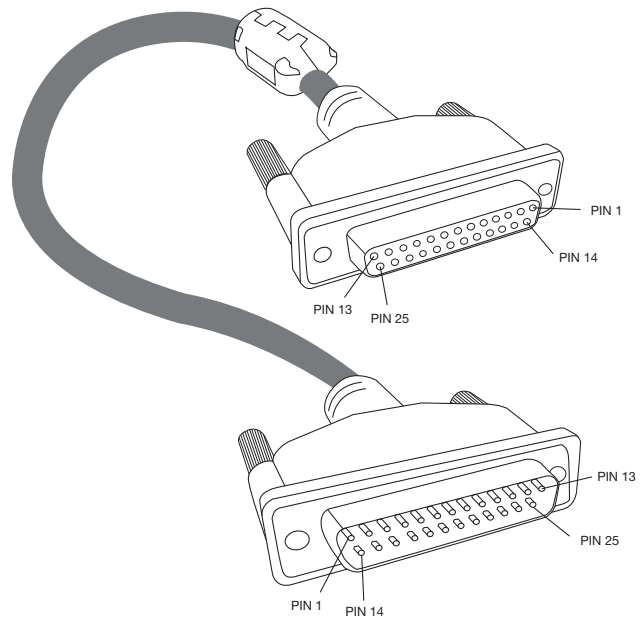


Estes equipamentos são fornecidos com um cabo DB25 de 10 metros de comprimento que pode suportar até 5 unidades de interpretação ligadas em cascata. Caso exceda este comprimento, não é possível garantir o funcionamento correto de 5 unidades.

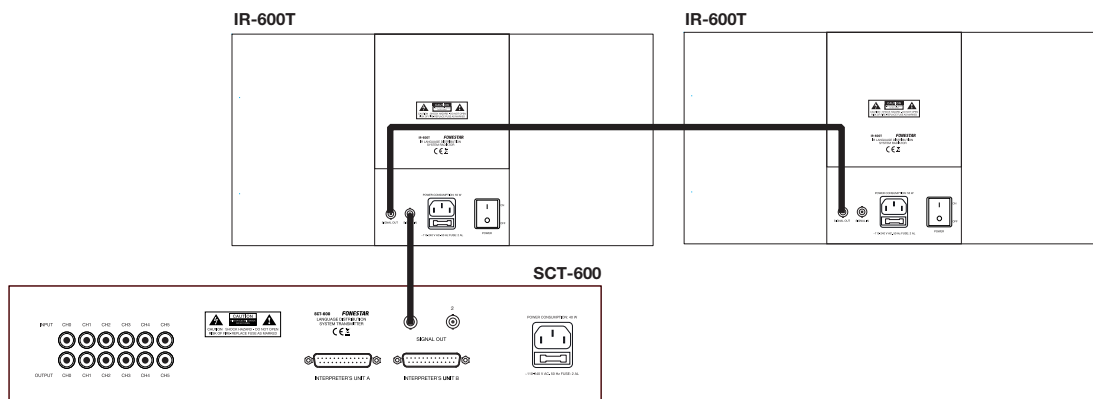
As variações no comprimento deste cabo DB25, em geral, seguem a proporção indicada: 30 metros poderá suportar 4 unidades de interpretação e 50 metros poderá suportar 2 intérpretes. Este dado é subjetivo e poderá variar consoante diversos fatores: a qualidade do cabo, construção do cabo e conetores, e as características ambientais do local de instalação.

Este cabo tem uma ligação reta entre as extremidades, o PIN1 do conector macho corresponde ao PIN1 do conector fêmea; o PIN2 ao PIN2 da outra extremidade, etc. É aconselhável colocar ferrites perto dos conetores para eliminar interferências no cabo.

CONETOR A DB25	FUNÇÃO	CONETOR B DB25
Pin 1	CH 0	Pin 1
Pin 2	CH 1	Pin 2
Pin 3	CH 2	Pin 3
Pin 4	CH 3	Pin 4
Pin 5	CH 4	Pin 5
Pin 6	CH 5	Pin 6
Pin 7	CH 6	Pin 7
Pin 8	CH 7	Pin 8
Pin 9	CH 8	Pin 9
Pin 10	CH 9	Pin 10
Pin 11	CH 10	Pin 11
Pin 12	CH 11	Pin 12
Pin 13	RS485B	Pin 13
Pin 14	NC	Pin 14
Pin 15 -19	GND	Pin 15 -19
Pin 20 -23	+24 V CC	Pin 20 -23
Pin 24	NC	Pin 24
Pin 25	RS485A	Pin 25



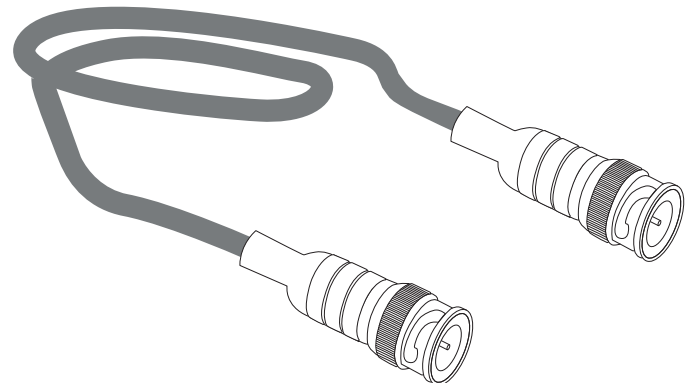
Cabo de ligação para os radiadores IR-600T



Estes equipamentos são fornecidos com um cabo BNC de 10 metros de comprimento.

Se a sua instalação precisar de um cabo mais comprido, será necessário um cabo coaxial com cobertura de proteção de 50 Ω de até 100 metros de comprimento com conetores BNC. Sempre considerando que, no caso de ligar em cascata mais de um radiador **IR-600T**, o comprimento total de todos os cabos da linha não deverá exceder 200 metros, de forma a garantir o seu correto funcionamento.

IMPORTANTE: não instale estes cabos perto de campos eletromagnéticos fortes.



INSTRUÇÕES DE UTILIZAÇÃO

- 1.- Ligue todos os equipamentos do sistema como indicado na secção LIGAÇÃO e ative-os.
- 2.- Configure os microfones do sistema.

IMPORTANTE: este sistema está configurado para que os recetores **SCT-6R** possam receber até 6 canais (0: idioma original, 1-5: idiomas de interpretação).

- a.- (só **SCT-61M**) Configure as definições prévias adicionais desejadas, tal como explicadas na secção OUTRAS CONFIGURAÇÕES.
 - b.- Selecione o canal que deseja ouvir pelo altifalante integrado na base (só **SCT-61M**) ou pela saída de auscultadores.
 - **SCT-61M**
Pressione o botão do canal correspondente na secção INPUT CH 0-CH 4 ou com os botões IN CH-/IN CH+ para reduzir/aumentar o canal selecionado. Por último, regule o volume usando os botões VOL-/VOL+ para diminuir/aumentar o volume respetivamente.
 - **SCT-122M**
Para ouvir o áudio original (CH 0) pressione o botão ORIGINAL; se desejar ouvir outro dos idiomas interpretados, pressione o botão RELAY e rode o seletor MONITOR para selecionar o canal: 1 para CH 1, 2 para CH 2, etc. Por último, regule o volume usando o controlo giratório VOL A e/ou VOL B.
 - c.- Selecione o canal por onde irá emitir o seu idioma.
 - **SCT-61M**
Pressione o botão do canal correspondente na secção OUTPUT CH 1-CH 5 ou com os botões OUT CH-/OUT CH+ para reduzir/aumentar o canal selecionado de CH 1 a CH 5.
Se o canal que selecionou estiver a ser usado por outro microfone **SCT-61M** o indicador luminoso BUSY irá ficar vermelho quando tentar ativar o seu microfone, avisando que o canal está ocupado e impedindo a utilização desse canal.
 - **SCT-122M**
Pressione o botão do canal correspondente na secção MIC OUTPUT CHANNEL CH 1-CH 5. Se o canal selecionado já tiver sido selecionado noutra microfone **SCT-122M**, independentemente do microfone estar ativo ou não, o indicador luminoso BUSY LAMP irá ficar vermelho avisando que o canal está ocupado e impedindo a utilização desse canal.
- 3.- Configure os recetores **SCT-6R** e confirme se recebem o sinal corretamente.
 - a.- Ligue o auscultador.
 - b.- Ative o recetor pressionando prolongadamente no botão ϕ e coloque-se na zona de cobertura de sinal proporcionada pelos radiadores **IR-600T**.
 - c.- Selecione o canal a ouvir com os botões CH▼/ CH▲.
 - d.- Regule o volume com os botões VOL-/VOL+. Se em algum momento tiver de silenciar o áudio, efetue um toque rápido no botão ϕ .
 - 4.- Funcionamento dos microfones.
 - **SCT-61M**
 - a.- Com o microfone já configurado, pressione MIC ON/OFF para ativar/desativar o microfone.
 - b.- Quando tiver o microfone ativado poderá silenciá-lo por momentos enquanto pressionar o o botão MUTE. O indicador MUTE ficará verde durante a ativação desta função.
 - c.- Outro microfone **SCT-61M** poderá enviar-lhe um sinal SLOW para indicar que deve falar mais devagar. Este aviso será enviado à unidade de interpretação que tiver sido selecionada como entrada de áudio da sua unidade de interpretação (INPUT) desde que seja também um **SCT-61M**. Ao pressionar o botão SLOW do seu microfone, a unidade de interpretação que estiver a transmitir nesse canal irá ver no seu ecrã a palavra SLOW e o anel vermelho do microfone irá piscar durante uns segundos.

- **SCT-122M**

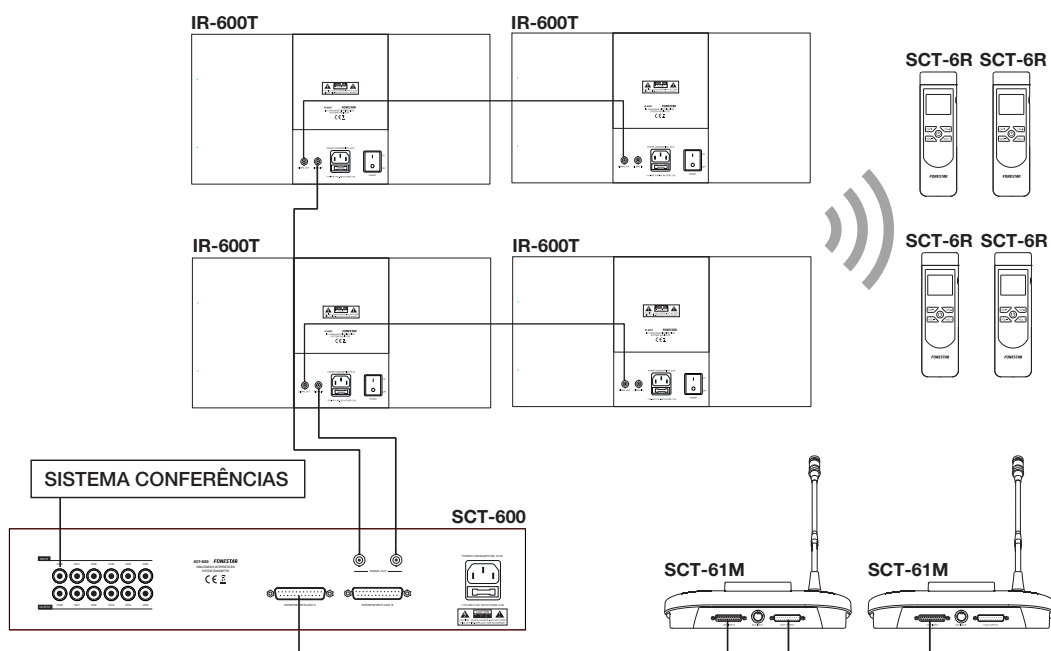
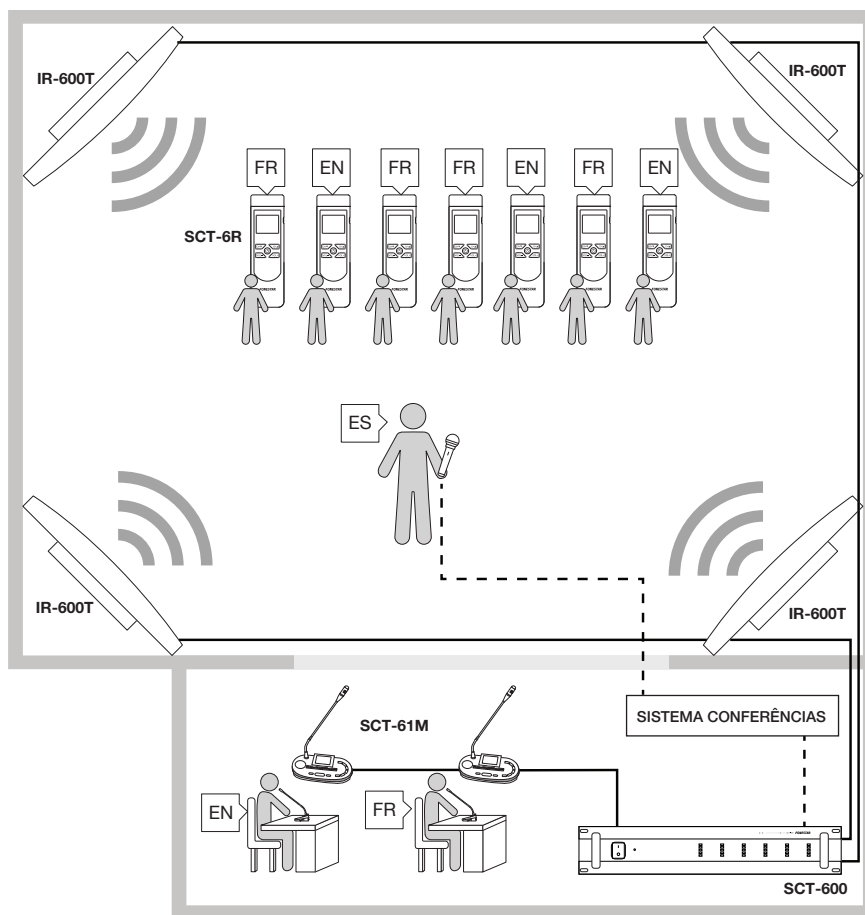
- a.- Com o microfone já configurado, pressione MIC A ON/OFF ou MIC B ON/OFF para ativar/desativar o microfone. MIC A e MIC B não podem estar ativos ao mesmo tempo. Quando ativar A, B irá desativar-se automaticamente caso esteja ativo, e vice-versa.
- b.- Quando tiver o microfone ativado poderá silenciá-lo por momentos enquanto pressionar o botão COUGH OUT. O indicador luminoso que existe sobre este botão ficará aceso durante a ativação desta função.

LIGAÇÃO

- Instale todos os equipamentos tendo em conta:
 - Os comprimentos máximos dos cabos. Para mais informação, consulte a secção CABOS.
 - Os fatores de radiação e captação de sinal. Para mais informação, consulte a secção OUTRAS CONFIGURAÇÕES.
- Ligue os radiadores. Ligue SIGNAL OUT 1 ou 2 do **SCT-600** a SIGNAL IN do primeiro radiador da linha. Se desejar instalar mais radiadores, ligue-os em cascata ligando a saída SIGNAL OUT de um radiador à entrada SIGNAL IN do seguinte.
- Ligue a fonte de áudio principal. Ligue o equipamento com o áudio principal na entrada IN CH 0 do painel posterior do **SCT-600**.
- Ligue as fontes de áudio. Neste sistema é possível introduzir o áudio em cada canal através de um equipamento externo ou através das unidades de interpretação:
 - Através de um equipamento externo. Ligue o equipamento com o áudio na entrada IN CH 1- CH 5 correspondente do painel posterior do **SCT-600**.
 - Através de unidades de interpretação. Ligue INTERPRETER'S UNIT A e/ou B do **SCT-600** a INPUT da primeira unidade de interpretação **SCT-61M** e/ou **SCT-122M**. O conecte las unidades de interpretación SCT-61M ou SCT-122M entre si, ligando as saídas OUTPUT na entrada INPUT do seguinte, até no máximo 5 elementos por linha.

IMPORTANTE: A FONESTAR recomenda utilizar apenas um único tipo de unidades de interpretação na sua instalação de forma a garantir o funcionamento ótimo da função BUSY.
- Se desejar enviar os áudios de forma independente a outros sistemas, ligue-os nas saídas OUT CH 0 - CH 5 correspondentes do painel posterior do **SCT-600**.
- Ligue o cabo de alimentação dos radiadores **IR-600T** e do transmissor de interpretação **SCT-600**. E que os recetores **SCT-6R** tenham as baterias carregadas.
- Ative **SCT-600**, **IR-600T** e **SCT-6R** (**SCT-122M** e **SCT-61M** são alimentados através do cabo que os liga ao **SCT-600**).
- Por último, configure os canais de saída e entrada de cada unidade de interpretação. Para mais informação, consulte a secção INSTRUÇÕES DE UTILIZAÇÃO.
- Não se esqueça de desligar todos os equipamentos quando não forem utilizados e de proceder à sua manutenção e limpeza correspondente.

EXEMPLO DE INSTALAÇÃO



ESPECIFICAÇÕES TÉCNICAS

SCT-600	
CARACTERÍSTICAS	Transmissor do sistema de interpretação simultânea SCT. Até 5 idiomas, além do idioma original. Ligação de até 10 microfones SCT-61M ou SCT-112M em cascata. Controlo automático do volume de saída. Construído em conformidade com as normas IEC 60914 de Sistemas de Conferências e IEC 61603-7 de Sistemas de Transmissão.
RESPOSTA	100-14.000 Hz
INDICADORES	Nível de saída de cada canal
ENTRADAS	6 linhas, RCA 18.000 Ω 2 V
SAÍDAS	6 linhas, RCA 600 Ω 1 V 2 radiadores, TNC 50 Ω 2 unidades de interpretação, DB25
RELAÇÃO SINAL/RUÍDO	> 75 dB
ALIMENTAÇÃO	110-240 V CA, 40 W
MEDIDAS	483 x 89 x 355 mm profundidade
ACESSÓRIOS	Cabo de interligação de unidades de interpretação de 10 m, DB25 2 cabos de áudio, jack 6,3 mm mono a RCA

SCT-61M	
CARACTERÍSTICAS	Microfone de mesa com tubo flexível para interpretação simultânea. Seleção de canal de entrada e saída. Função mute (cough). Altifalante monitor. Ecrã de informação. Ligação em cascata. Anel luminoso de funcionamento.
ENTRADAS	1 microfone externo, jack 3,5 mm estéreo 1 interligação com unidade de controlo, DB25 e DIN 13
SAÍDAS	1 auscultadores, jack 3,5 mm estéreo 1 interligação, DB25
MEDIDAS	Microfone de tubo flexível: 425 mm Base: 278 x 65 x 140 mm profundidade
ACESSÓRIOS	Headset Cabo de interligação de 3 m, DB25

SCT-122M	
CARACTERÍSTICAS	Base de mesa para 2 microfones de interpretação simultânea no mesmo canal de saída. Seleção de canal de entrada e saída. Função mute (cough). Ligação em cascata.
ENTRADAS	2 microfones, jack 3,5 mm estéreo 1 interligação, DB25
SAÍDAS	2 auscultadores, jack 3,5 mm estéreo 2 rec out, jack 3,5 mm estéreo 1 interligação, DB25
MEDIDAS	330 x 65 x 200 mm profundidade
ACESSÓRIOS	Cabo de interligação de 10 m, DB25 2 Auscultadores com microfone

IR-600T	
CARACTERÍSTICAS	Radiador IR para sistema de interpretação simultânea SCT. Área coberta de até 600 m ² por radiador.
ENTRADAS	Signal In, BNC, para ligar ao transmissor Cabo recomendado coaxial blindado de 50 Ohm, RG-58. Comprimento máximo de um só cabo é de 100 m. Se houver mais cabos com mais recetores, o comprimento total não deve exceder 200 m.
SAÍDAS	Signal Out, BNC, para ligação em cascata com outros radiadores IR-600T
POTÊNCIA DE SAÍDA	25 W
ALCANCE	Até 30 m
ÂNGULO DE COBERTURA	135°
ALIMENTAÇÃO	110-240 V CA, 55 W
MEDIDAS	440 x 232 x 125 mm de profundidade
ACESSÓRIOS	Suporte para montagem em parede Cabo de interligação, BNC

SCT-6R	
CARACTERÍSTICAS	Recetor IR para sistema de interpretação simultânea SCT. 6 canais seleccionáveis. Utilização simples e intuitiva. Ângulo de receção horizontal e vertical 90° Ecrã de informação.
CONTROLOS	Ativação Seleção de canal Volume
SAÍDAS	1 auscultadores, jack 3,5 mm estéreo
ALIMENTAÇÃO	3 baterias AAA-R03 de 800 mAh, incluídas Função de recarga integrada através da estação de recarga SCT-24CH
MEDIDAS	155 x 45 x 20 mm
ACESSÓRIOS	Auscultador mono Cordão de pescoço para recetor

SCT-16M	
CARACTERÍSTICAS	Mala de transporte para 16 recetores SCT-6R.
MEDIDAS	380 x 110 x 400 mm de profundidade

SCT-24CH	
CARACTERÍSTICAS	Estação de recarga para 24 recetores SCT-6R. Estrutura reforçada e rodas para transporte.
TEMPO DE RECARGA	De 3 a 6 horas
ALIMENTAÇÃO	110-240 V CA, 200 W
MEDIDAS	625 x 285 x 365 mm profundidade

www.fonestar.com