

WAN082.01

Lavoce

8" WOOFER

NEODYMIUM MAGNET
ALUMINIUM BASKET DRIVER



- 2 INCH CCAW VOICE COIL
- 96 dB/SPL SENSITIVITY
- 400 W PROGRAM POWER HANDLING
- FEM OPTIMIZED MOTOR AND SUSPENSIONS
- OPTIMIZED COOLING SYSTEM
- RESONANCE FREE AND HEAVY DUTY BASKET DESIGN

GENERAL SPECIFICATIONS

Nominal diameter	mm (in.)	200 (8)
Nominal impedance	Ω	8
Minimum impedance	Ω	6
Program power (1)	W	400
AES Power rating (2)	W	200
Sensitivity (3)	dB	96
Frequency range	Hz	80 ÷ 5000
Voice coil diameter	mm (in.)	51 (2)
Chassis material	Aluminium	
Magnet material	Neodymium	
Magnet dimensions OD x ID x h	mm (in.)	102 x 60 x 7 (4.02 x 2.36 x 0.28)
Coil material	CCA W	
Former material	Kapton	
Cone material	Water Proof Treated Paper	
Surround material	Polycotton	
Xmax (4)	mm (in.)	6,1 (0.24)
Xmech (5)	mm (in.)	10,1 (0.4)
Gap height	mm (in.)	8 (0.31)
Voice coil winding height	mm (in.)	16,2 (0.64)
Driver displacement volume	l (ft ³)	0,645 (0.023)

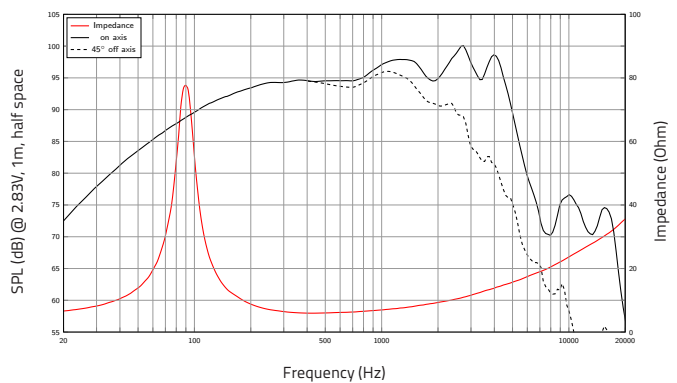
SMALL SIGNAL PARAMETERS

DC resistance	Re	Ohm	5,1
Resonance frequency	Fs	Hz	85
Moving mass	Mms	g (oz)	26,4 (0.93)
Compliance	Cms	mm/N	0,13
Force factor	BxL	N/A	14,4
Mechanical Q-factor	Qms		4,8
Electrical Q-factor	Qes		0,34
Total Q-factor	Qts		0,32
Equivalent air volume	Vas	l (ft ³)	9 (0.32)
Voice coil Inductance	Le	mH	0,36
Diaphragm area	Sd	cm ² (in. ²)	220 (34.1)
Reference efficiency	Eta 0	%	1,55

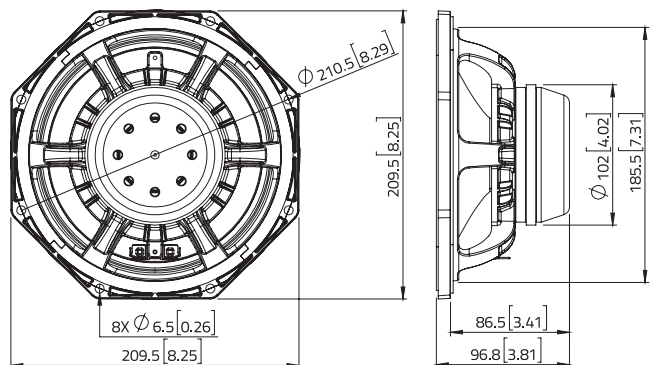
SHIPPING INFORMATION

Net weight	kg (lb.)	2,3 (5.1)
Multipack size (1)	mm (in.)	260 x 260 x 137 (10.2 x 10.2 x 5.4)
Multipack weight	kg (lb.)	2,9 (6.4)

FREQUENCY RESPONSE



DIMENSIONS mm (in.)



(1) Program power is defined as 3 dB greater than AES Power. (2) Tested for two hours using a continuous, band-limited pink noise signal as per AES 2-1984 Rev. 2003. Loudspeaker tested in free air. (3) From T/S parameters, measured with Klippel DA LPM module. (4) The Xmax is calculated as: $(Hvc - Hg)/2 + Hg/4$. Hvc is the voice coil height and Hg the gap height. (5) The Xmech is calculated as: $(Hvc - Hg)/2 + (Hg - 2)$. Hvc is the voice coil height and Hg the gap height. (6) Thiele-Small parameters are measured after preconditioning: a) at 20°C - 22°C, 50% humidity for 2 hours; b) by Klippel LSI measurement.

All specifications subject to change without notice. C_b

