

LBASS15-15

Lavoce

15" BASS GUITAR WOOFER

FERRITE MAGNET
STEEL BASKET DRIVER



- 1.5 INCH COPPER VOICE COIL
- 97 dB/SPL SENSITIVITY
- 200 WATT PROGRAM POWER HANDLING
- TRIPLE ROLL SURROUND
- OVERALL BALANCED AND RICH TONE
- SOLID LOW-END AND TIGHT MID-HIGH'S

GENERAL SPECIFICATIONS

| | | |
|----------------------------------|---------------------------|--------------------------------------|
| Nominal diameter | mm (in.) | 380 (15) |
| Nominal impedance | Ω | 8 |
| Minimum impedance | Ω | 5,9 |
| Program power (1) | W | 200 |
| AES Power rating (2) | W | 100 |
| Sensitivity (3) | dB | 97 |
| Frequency range | Hz | 35 ÷ 4000 |
| Voice coil diameter | mm (in.) | 38 (1.5) |
| Chassis material | Steel | |
| Magnet material | Ferrite | |
| Magnet dimensions OD x ID x h | mm (in.) | 110 x 45 x 17 (43.3 x 15.7 x 6.7) |
| Coil material | Copper | |
| Former material | Glass fiber | |
| Cone material | Water Proof Treated Paper | |
| Surround material | Polycotton | |
| Xmax (4) | mm (in.) | 4,7 (0.18) |
| Xmech (5) | mm (in.) | 8,7 (0.34) |
| Gap height | mm (in.) | 8 (0.31) |
| Voice coil winding height | mm (in.) | 13,3 (0.52) |
| Driver displacement volume | l (ft ³) | 3,3 (0.12) |

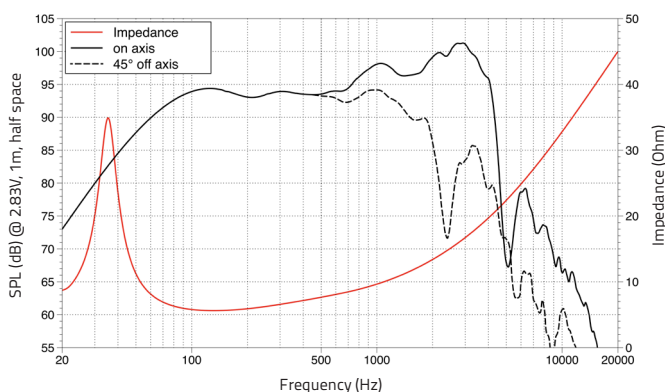
SMALL SIGNAL PARAMETERS

| | | | |
|-----------------------|-------|-------------------------------------|--------------|
| DC resistance | Re | Ohm | 5,5 |
| Resonance frequency | Fs | Hz | 37 |
| Moving mass | Mms | g (oz) | 66 (2.33) |
| Compliance | Cms | mm/N | 0,27 |
| Force factor | BxL | N/A | 9,9 |
| Mechanical Q-factor | Qms | | 4,7 |
| Electrical Q-factor | Qes | | 0,88 |
| Total Q-factor | Qts | | 0,74 |
| Equivalent air volume | Vas | l (ft ³) | 284 (10.03) |
| Voice coil Inductance | Le | mH | 0,90 |
| Diaphragm area | Sd | cm ² (in. ²) | 855 (132.53) |
| Reference efficiency | Eta 0 | % | 1,60 |

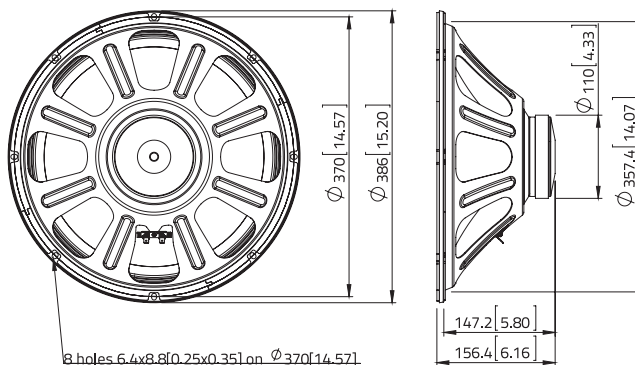
SHIPPING INFORMATION

| | | |
|--------------------|----------|--------------------------------------|
| Net weight | kg (lb.) | 4,1 (9.1) |
| Multipack size (1) | mm (in.) | 438 x 438 x 204 (17.2 x 17.2 x 8) |
| Multipack weight | kg (lb.) | 6,2 (13.6) |

FREQUENCY RESPONSE



DIMENSIONS mm (in.)



(1) Program power is defined as 3 dB greater than AES Power. (2) Tested for two hours using a continuous, band-limited pink noise signal as per AES 2-1984 Rev. 2003. Loudspeaker tested in free air. (3) From T/S parameters, measured with Klippel DA LPM module. (4) The Xmax is calculated as: $(Hvc - Hg)/2 + Hg/4$. Hvc is the voice coil height and Hg the gap height. (5) The Xmech is calculated as: $(Hvc - Hg)/2 + (Hg - 2)$. Hvc is the voice coil height and Hg the gap height. (6) Thiele-Small parameters are measured after preconditioning: a) at 20°C - 22°C, 50% humidity for 2 hours; b) by Klippel LSI measurement.

All specifications subject to change without notice_B.a

