

# FOS

technologies

*It's time to build something better!*



Athens Office  
Dervenion 31  
14451 Metamorfosi, GR  
Tel. +30 210 2811700

Sofia Office  
22 A, Yuri Gagarin Str.  
Iztok ,1113 Sofia, BG  
Tel. +359 2 4916211

[info@fos-lighting.eu](mailto:info@fos-lighting.eu)  
[www.fos-lighting.eu](http://www.fos-lighting.eu)

## Full VERSATILITY

### In ONE PRODUCT

FOS Technologies is proud to launch the new FOS Stage Line that combines strenght, durability, stability, lightweight and total flexibility.



## LIGHTWEIGHT

Only 35kg for 2x1m deck



## STRENGHT

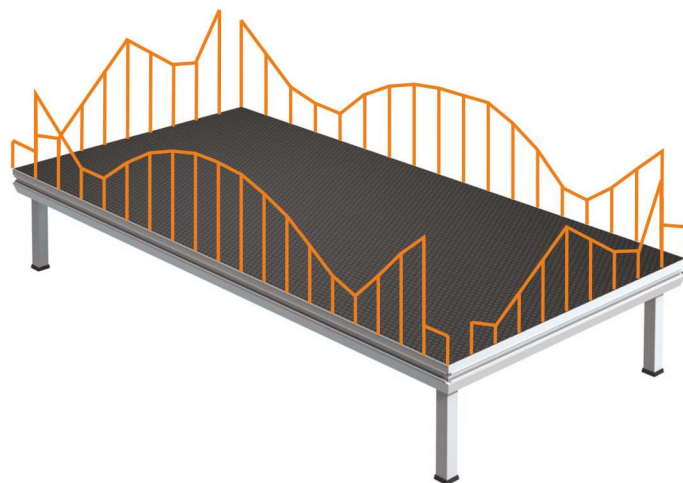
750 kg/m<sup>2</sup>

### CAPACITY

Loading according DIN 15921

Vertical: q=750kg/m<sup>2</sup>

Horizontal: q/20



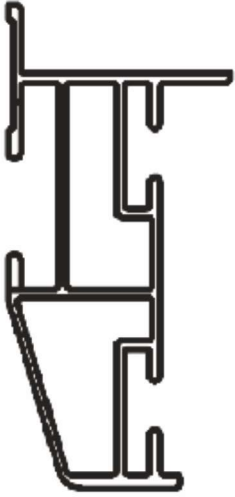
## STABILITY

minimum deflection

### STABILITY

2 times lower deflection



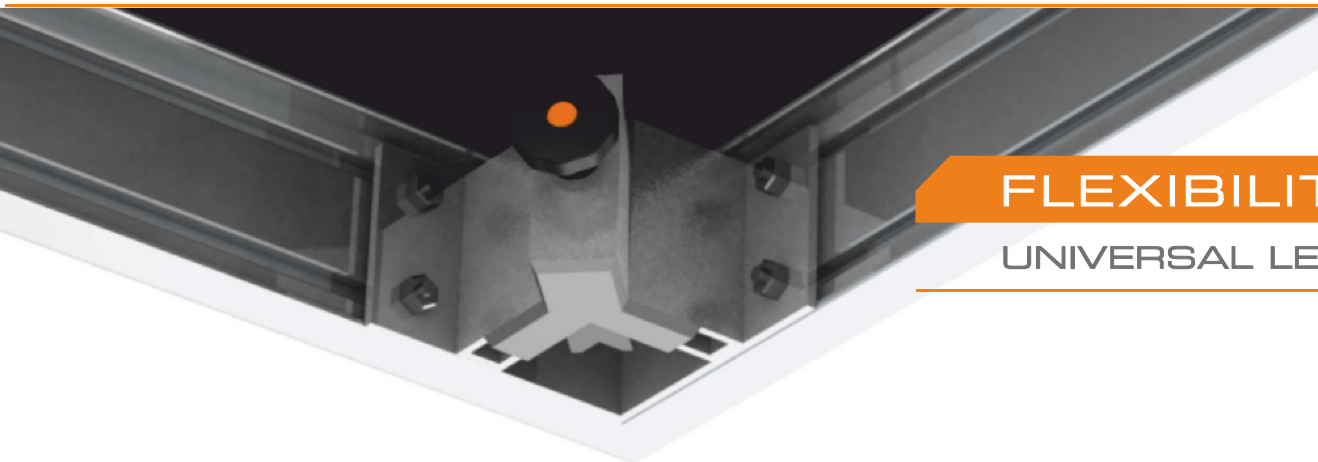


**FLEXIBILITY**  
COMPATIBLE PROFILE

**Compatibility** - with other leading brands. FOS Stages gives you full flexibility!

**Shape improvement** - angle on the outside compatible with Layher and Nivtec beam without using any special adaptors.

**Low storage costs** - only 9cm stacking height



**FLEXIBILITY**  
UNIVERSAL LEG CORNER

**PROBLEM**

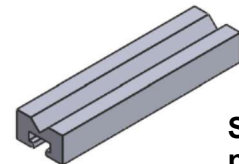
Main systems on the market provide legs 48,3 round, 50x50 square, 60x60 square. Usually to fit the leg corner you need to exchange pressure cube inside the corner.

In addition the pressure cube is really tiny that's why all force is going only to the longer screw and this is not providing great stability.

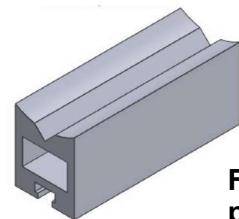
**SOLUTION**

Our new pressure cube is universal for above legs 50x50sq, 60x60 sq, and 48,3 round.

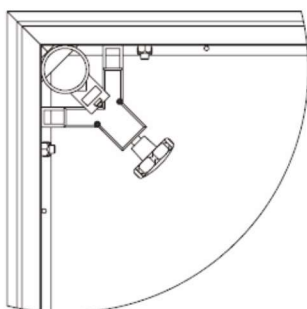
There is no need to exchange anything! To achieve this we have extended our corner. No matter what type of the leg we will use the pressure cube is always staying inside of the corner profile to give max stability.



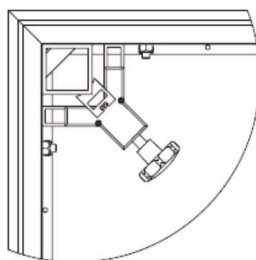
Standard pressure cube



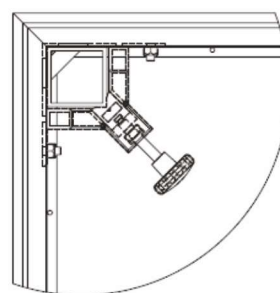
FOS Stage pressure cube



48,3



50x50

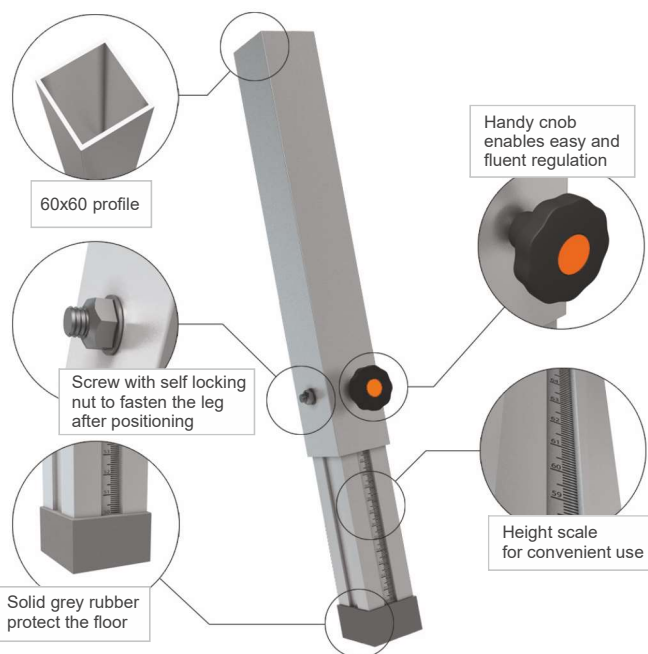


60x60

## TELESCOPIC LEGS



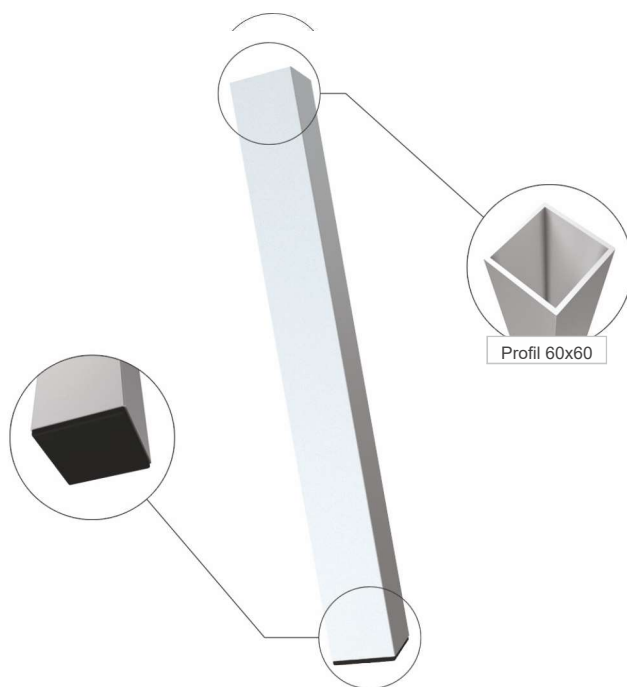
PRODUCT CODE	HEIGHT in cm (H)
FS-TL40	40-60
FS-TL60	60-100
FS-TL80	80-140
FS-TL100	100-180
SUITABLE FOR	
FOS Stage Line	



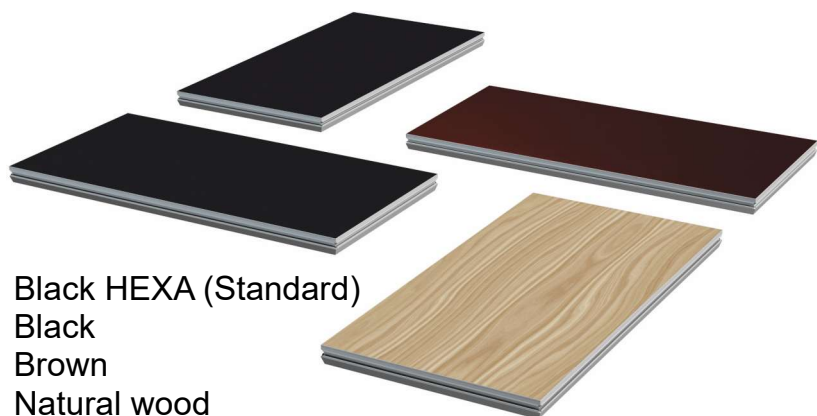
## SET LEGS



PRODUCT CODE	HEIGHT in cm (H)
FS-L20	20
FS-L40	40
FS-L60	60
FS-L80	80
FS-L100	100
FS-L120	120
SUITABLE FOR	
FOS-Stage Line	



## AVAILABLE FINISHES



Black HEXA (Standard)  
 Black  
 Brown  
 Natural wood



black plexi    white    plexi transparent

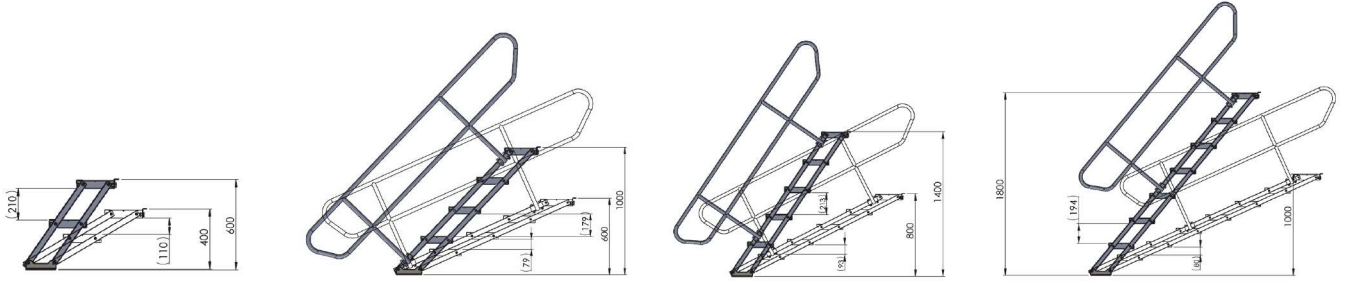
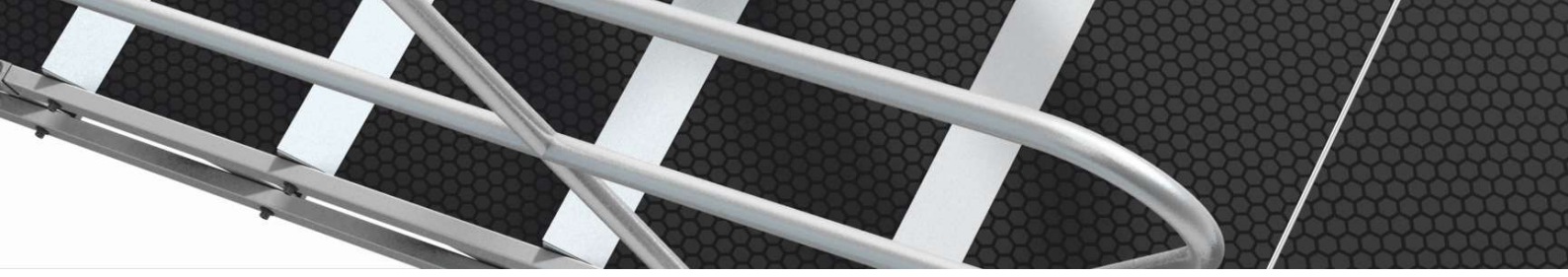


# MODULAR STAIR STEPS



Handrail for modular stairs, assembled on two adjacent steps





FS-AS-2

2 step adjustable stair  
40-60cm



FS-AS-4

4 step adjustable stair  
60-100cm



FS-AS-5

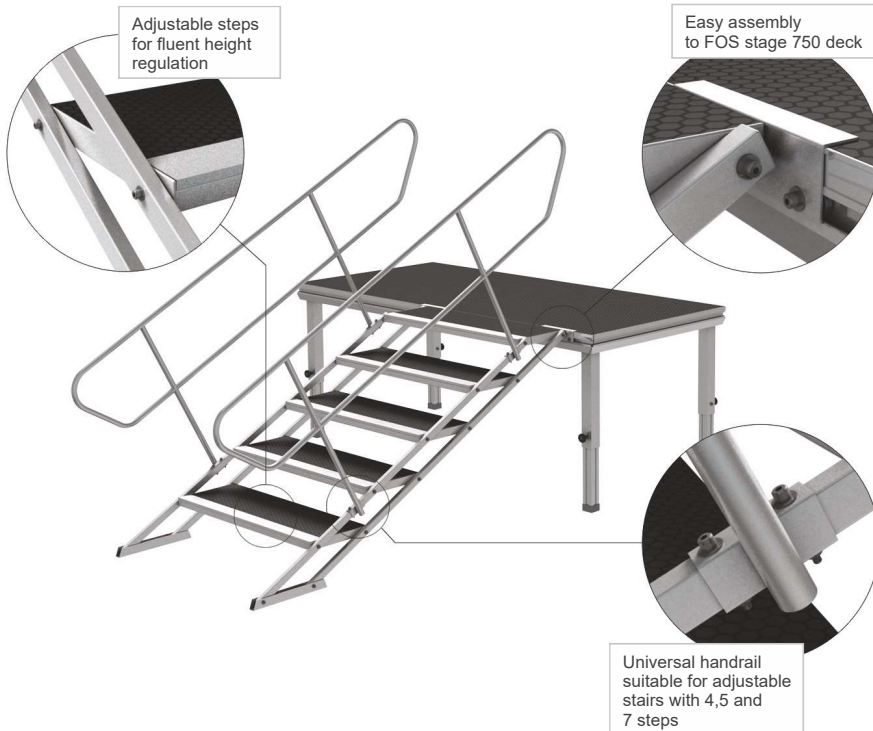
5 step adjustable stair  
80-140cm



FS-AS-7

7 step adjustable stair  
100-180cm

## ADJUSTABLE STAIRS



FS-ASH-L

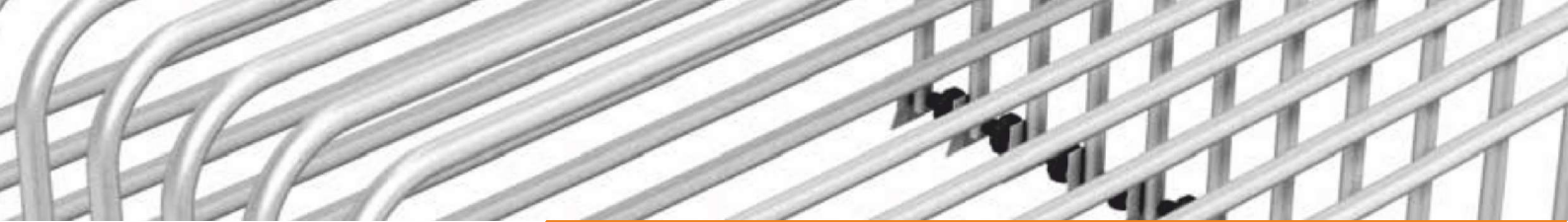
Adjustable stair handrail left



FS-ASH-R

Adjustable stair handrail right

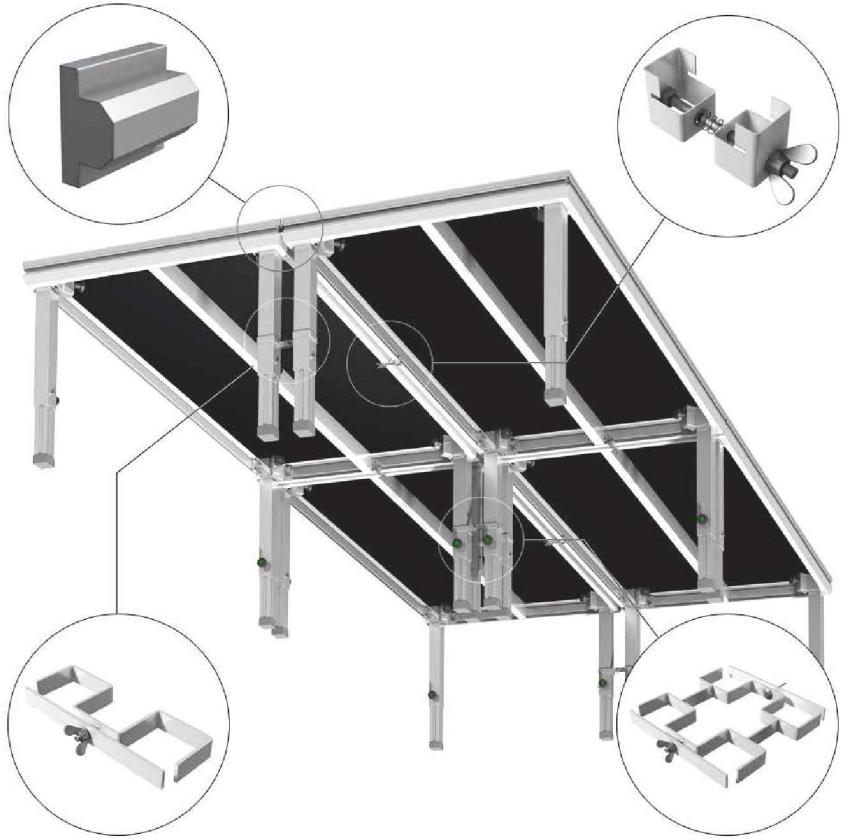
Adjustable stair handrails are universal for 4, 5 and 7 step handrails.



# CLAMP AND ACCESSORIES



Standard handrails



FS -H0.5

Stage handrail 0,5m



FS -H1.0

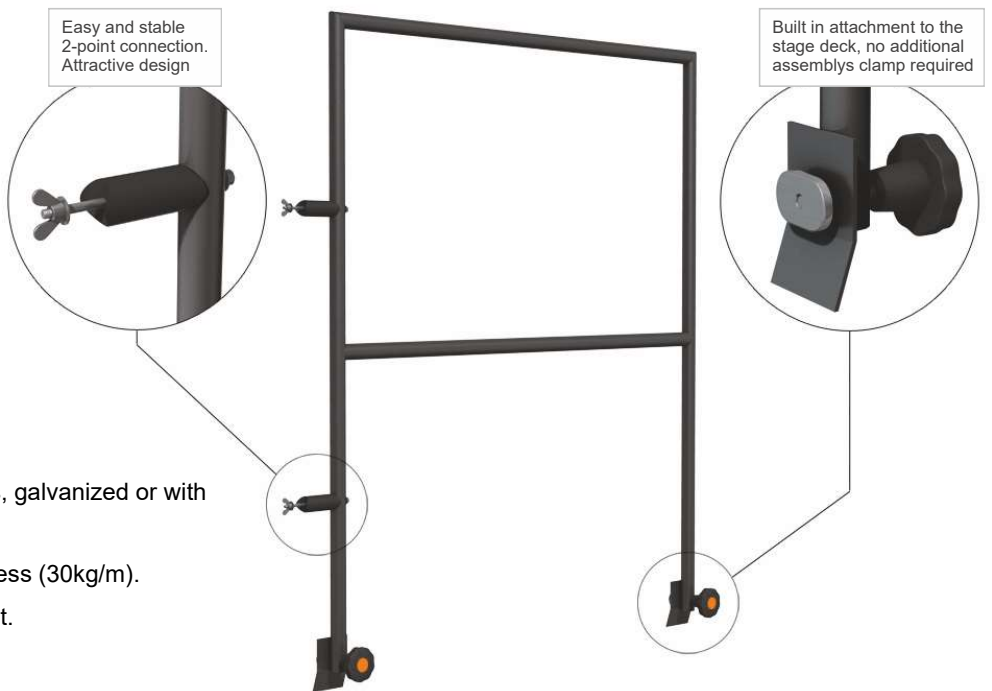
Stage handrail 1,0m

# STAGE HANDRAILS



FS -H2.0

Stage handrail 2,0m



Easy and stable 2-point connection. Attractive design

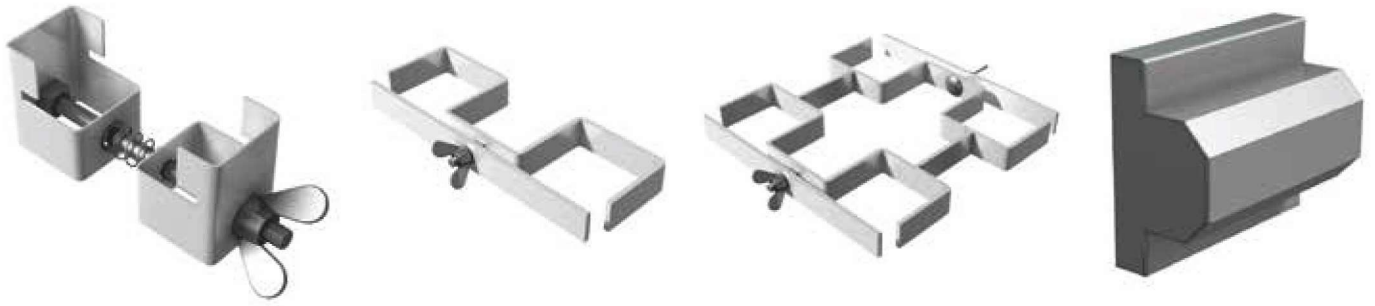
Built in attachment to the stage deck, no additional assembly clamp required

2m and 1m steel handrails for stage decks, galvanized or with black powder coating.

For standard use with no public access (30kg/m).

Other lengths on request.

We have designed our stage deck series in order to minimize the quantity of accessories which are needed to build the stage. You need only 4 loose connection accessories to build a whole stage system. It makes your assembly much easier and saves your time.



**Deck 2 Deck clamp**

Connection clamp to connect two adjacent stage decks.

Recommended quantities – 2 pcs for 2m connection side and 1 pcs for 1m side.

**2 Leg clamp**

Steel clamp for connection between 2 adjacent stage legs

**4 Leg clamp**

Steel clamp for connection between 4 adjacent stage legs

**Leveling insert**

Leveling insert to keep adjacent decks on the same level on an uneven ground

## TRANSPORT TROLLEYS



**FTT – deck trolley**

Transport trolley enables to carry up to 15 pcs of 2x1m FOS stage 750 deck



**FDT – door transport trolley**

Transport trolley for up to 6 pcs of FOS stage 750 decks in vertical position